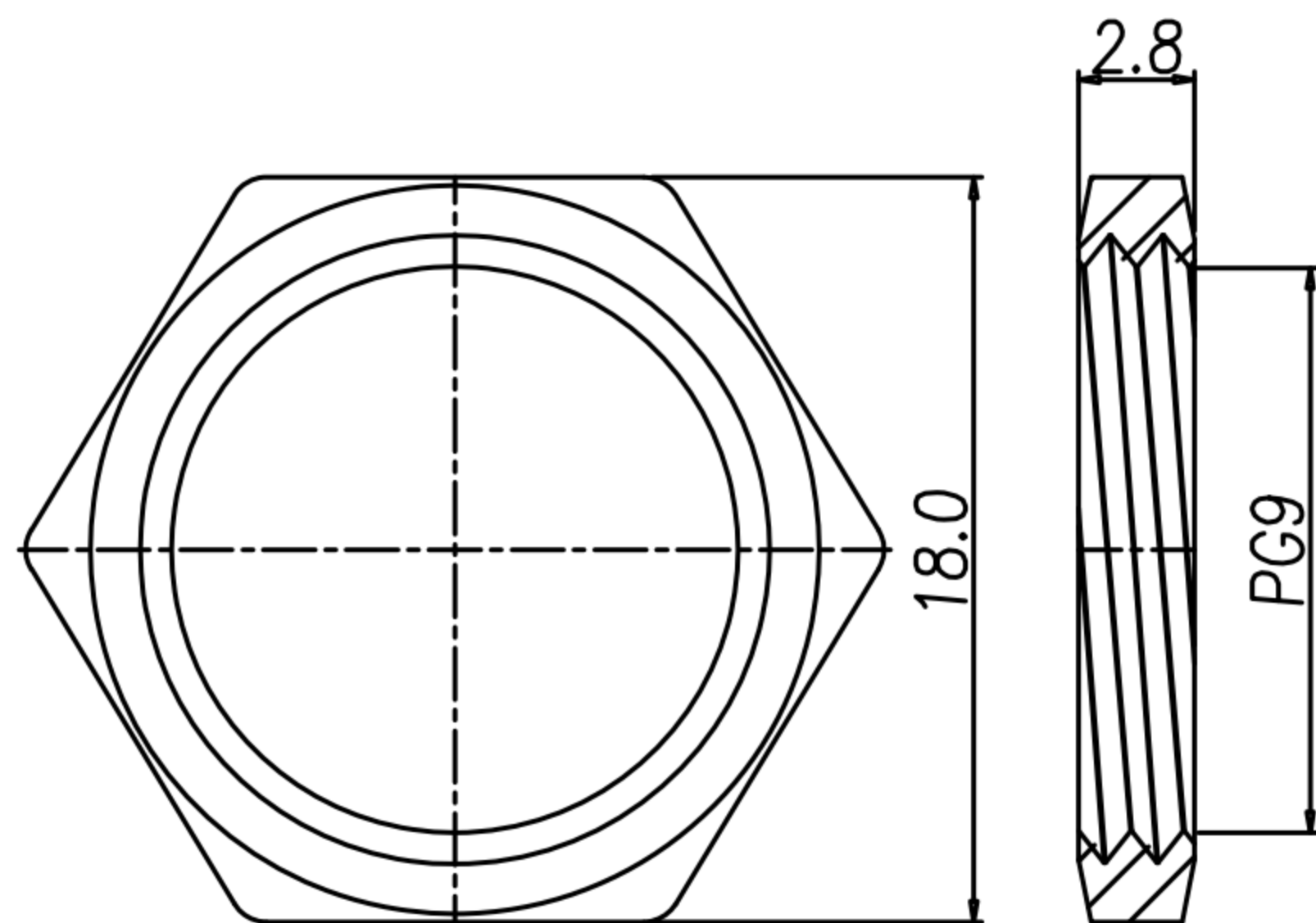
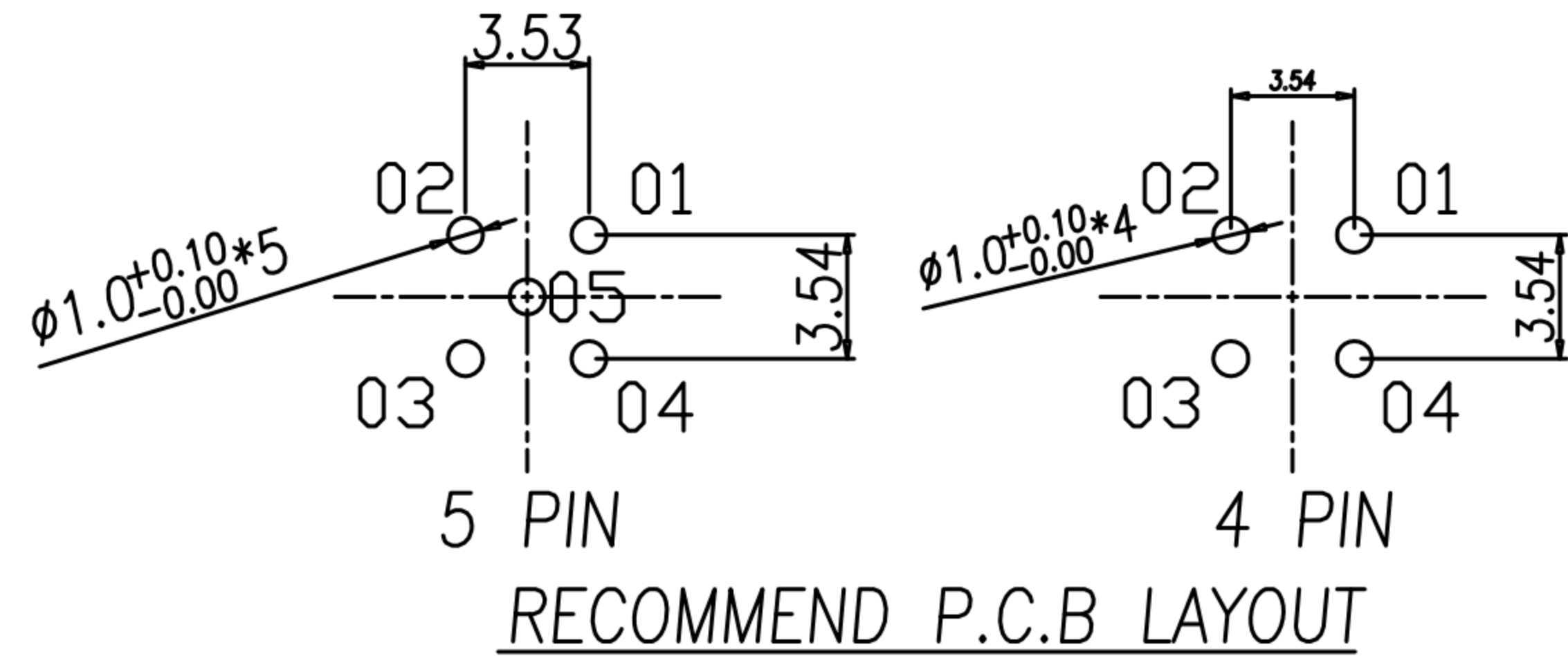
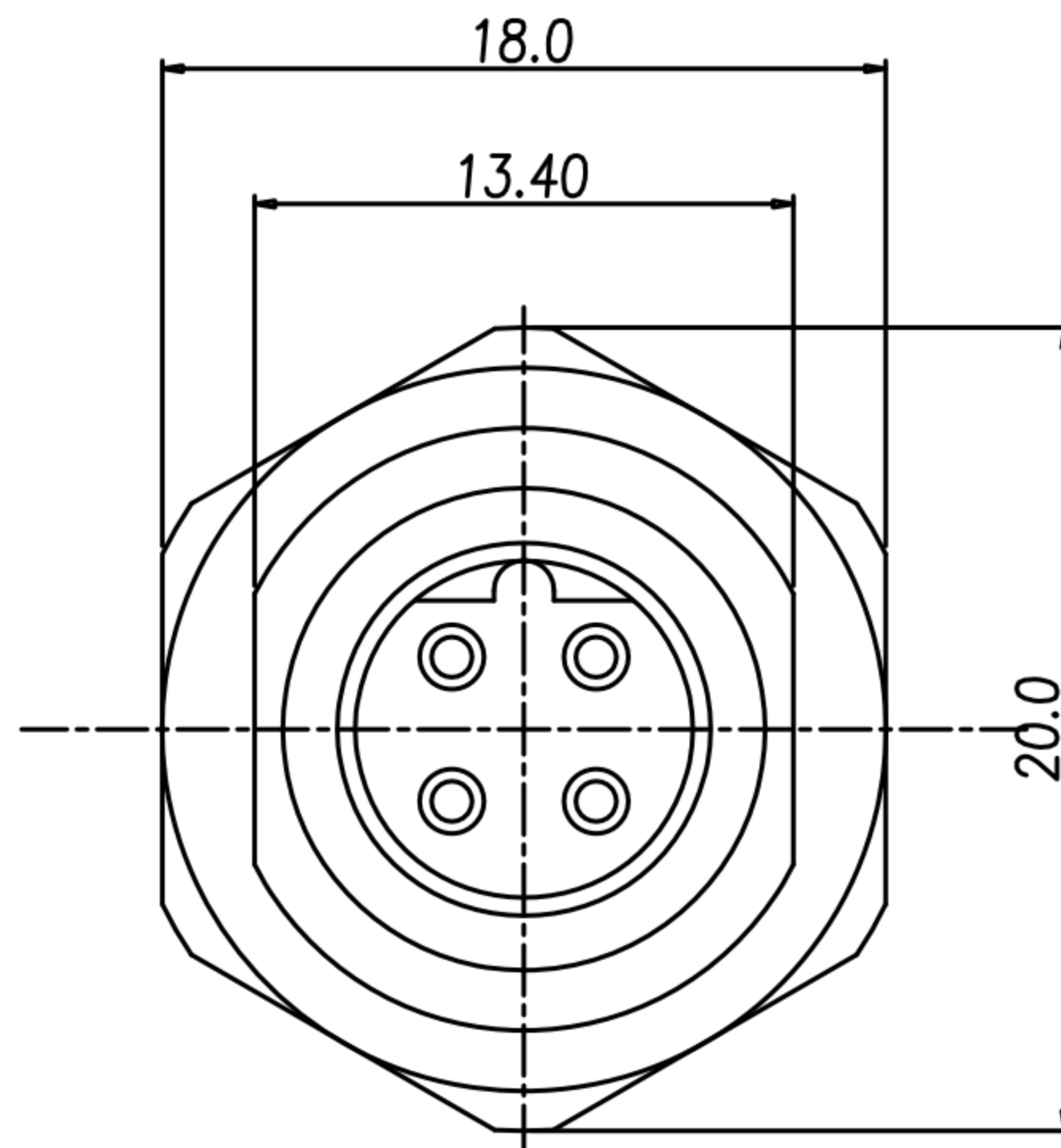
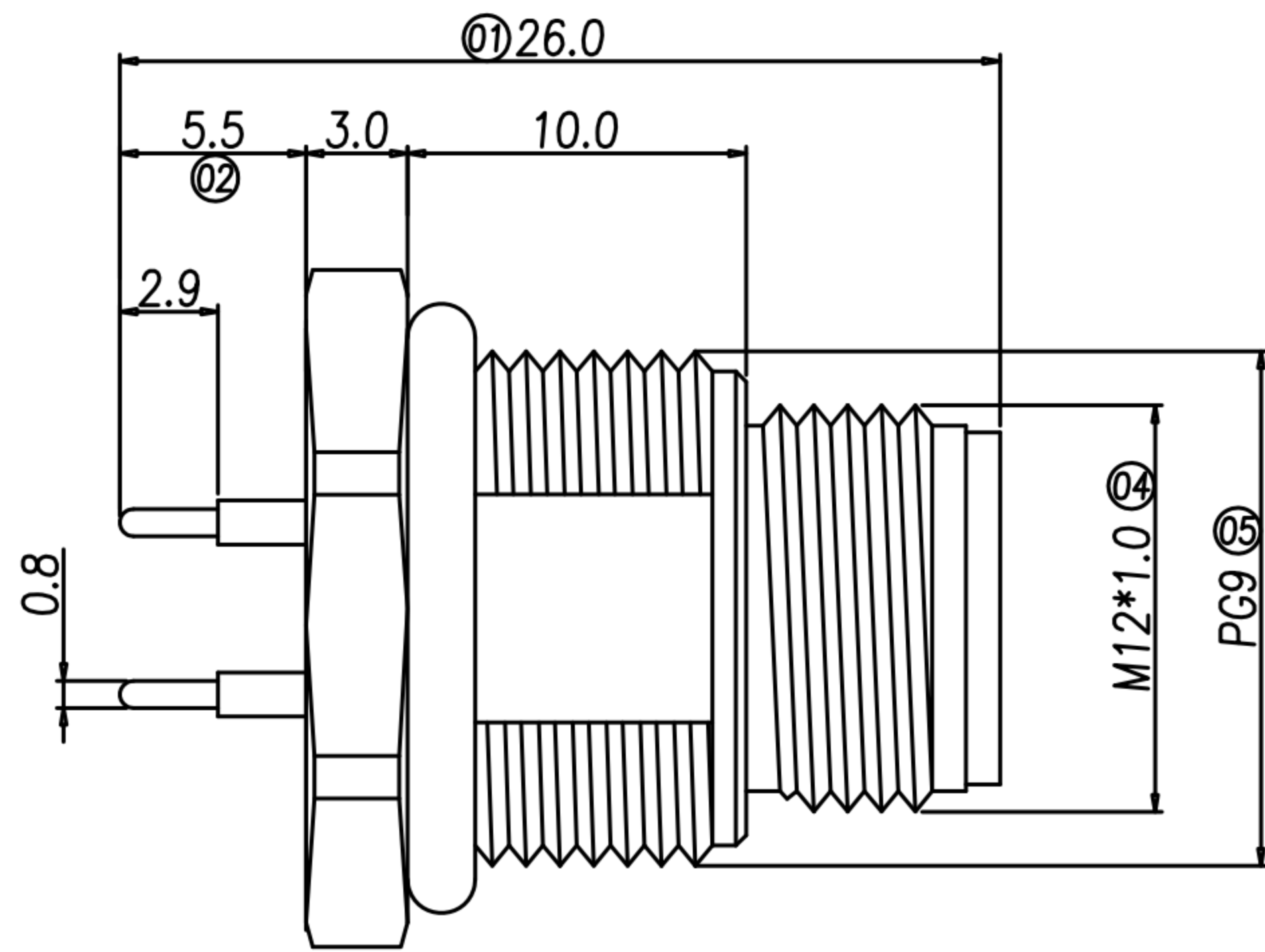
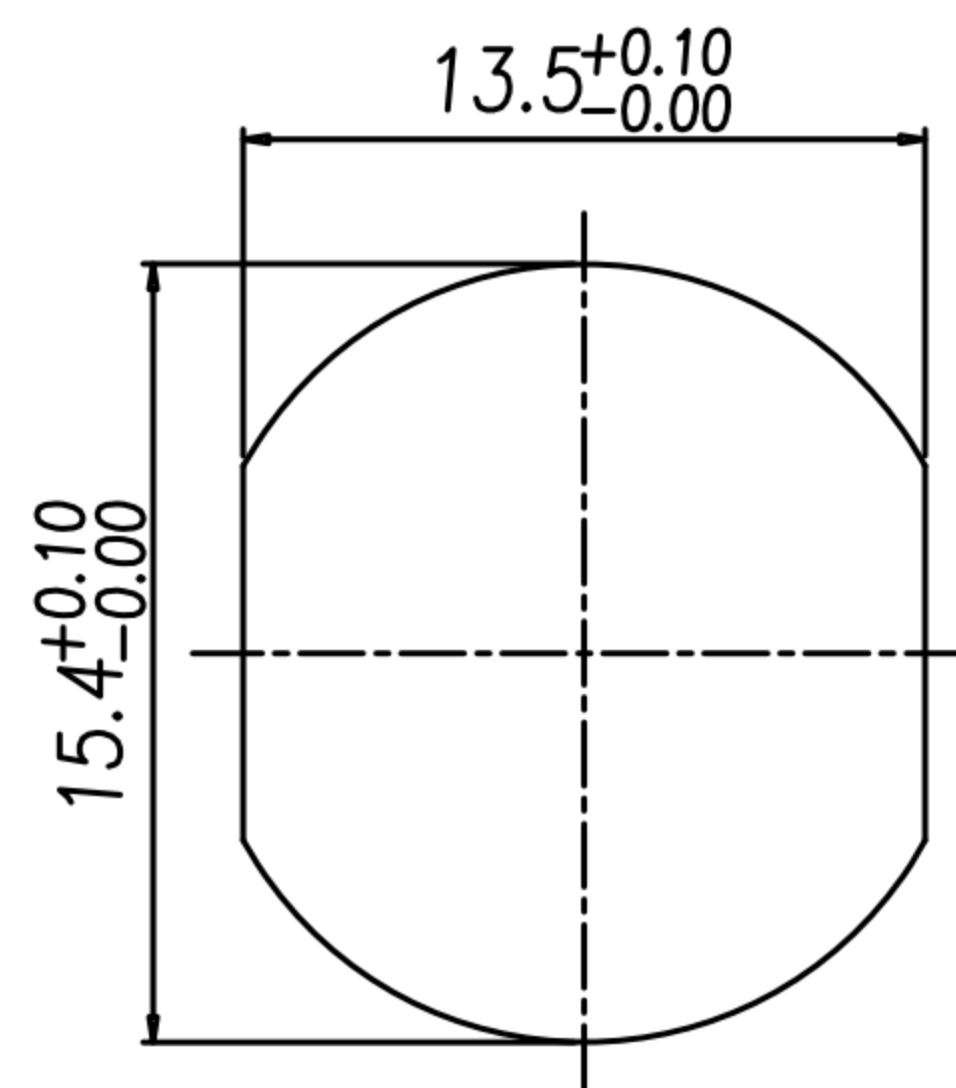


# CUSTOMER DRAWING

REV.	DESCRIPTION	APPROVED BY	DATE	ECN NO.
△A	RELEASE	Fido Weng	04/03/10*	
△B				
△C				



NUT



RECOMMEND PANEL CUT-OUT

TABLE A

	5PIN
WP-05M3-29-11	
	4PIN
WP-04M2-145-11	

- MATERIAL :
  - HOUSING : PBT UL94V-0 ; COLOR : BLACK
  - CONTACT : BRASS
  - NUT : BRASS
  - SHELL : BRASS
  - O-RING : EPDM
- FINISH :
  - CONTACT : 10 MICRO INCHES MIN. GOLD PLATED  
UNDER PLATE : NICKEL
  - NUT : NICKEL PLATED
  - SHELL : NICKEL PLATED
- ELECTRICAL SPECIFICATION :
  - Rated current : 4A
  - Rated Voltage : 4PIN 250V ; 5PIN 60V
  - Water proof : IP67
- Environmental :
  - Operation Temperature : -40℃~85℃

DRAWN	Ku Chou	APPEND	Fido Weng	UNIT	mm	TOLERANCE		广东科斯达电子科技有限公司 GUANG DONG KE SI DA ELECTRONIC TECHNOLOGY CO., LTD.	TITLE	防水頭 M12 B-Code (M) 前鎖 PG9 插件式			SHEET	1/1
CHKD	Emily Suen			SCALE	1:1				PART NO.	SEE TABLE A	DWG NO.	QC7786	VERSION	A