

CUSTOMER DRAWING

REV.	DESCRIPTION	APPROVED BY	DATE	ECN NO.
△A				
△B				
△C				

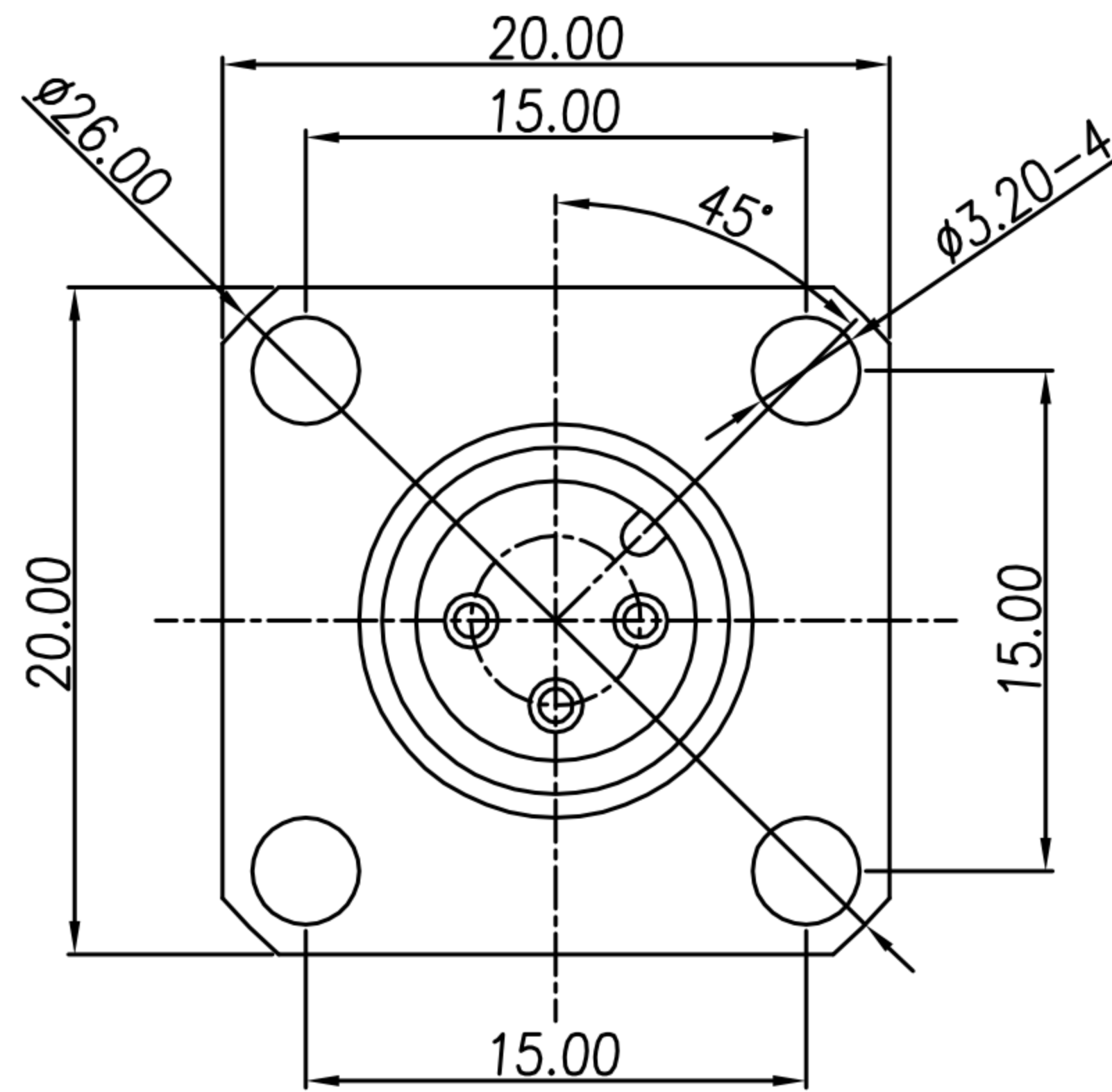
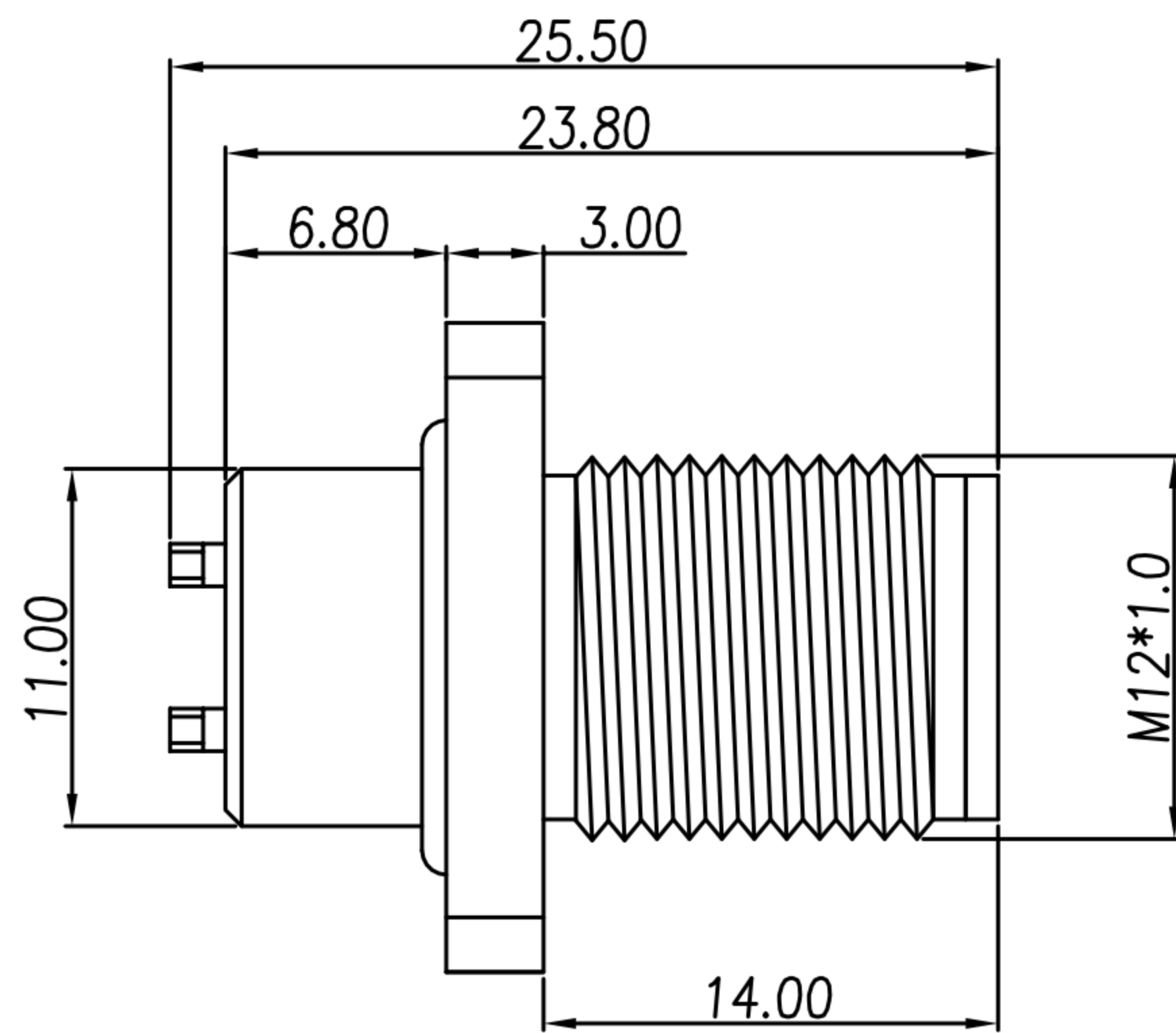
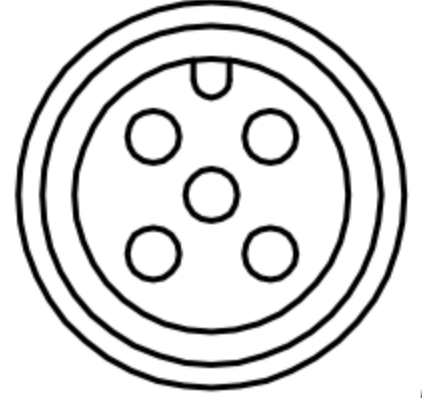
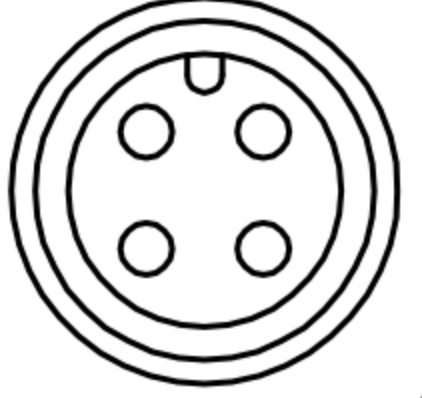
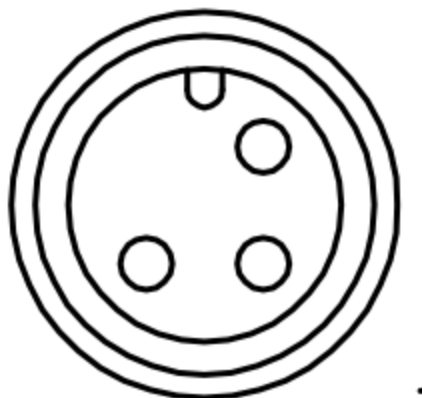
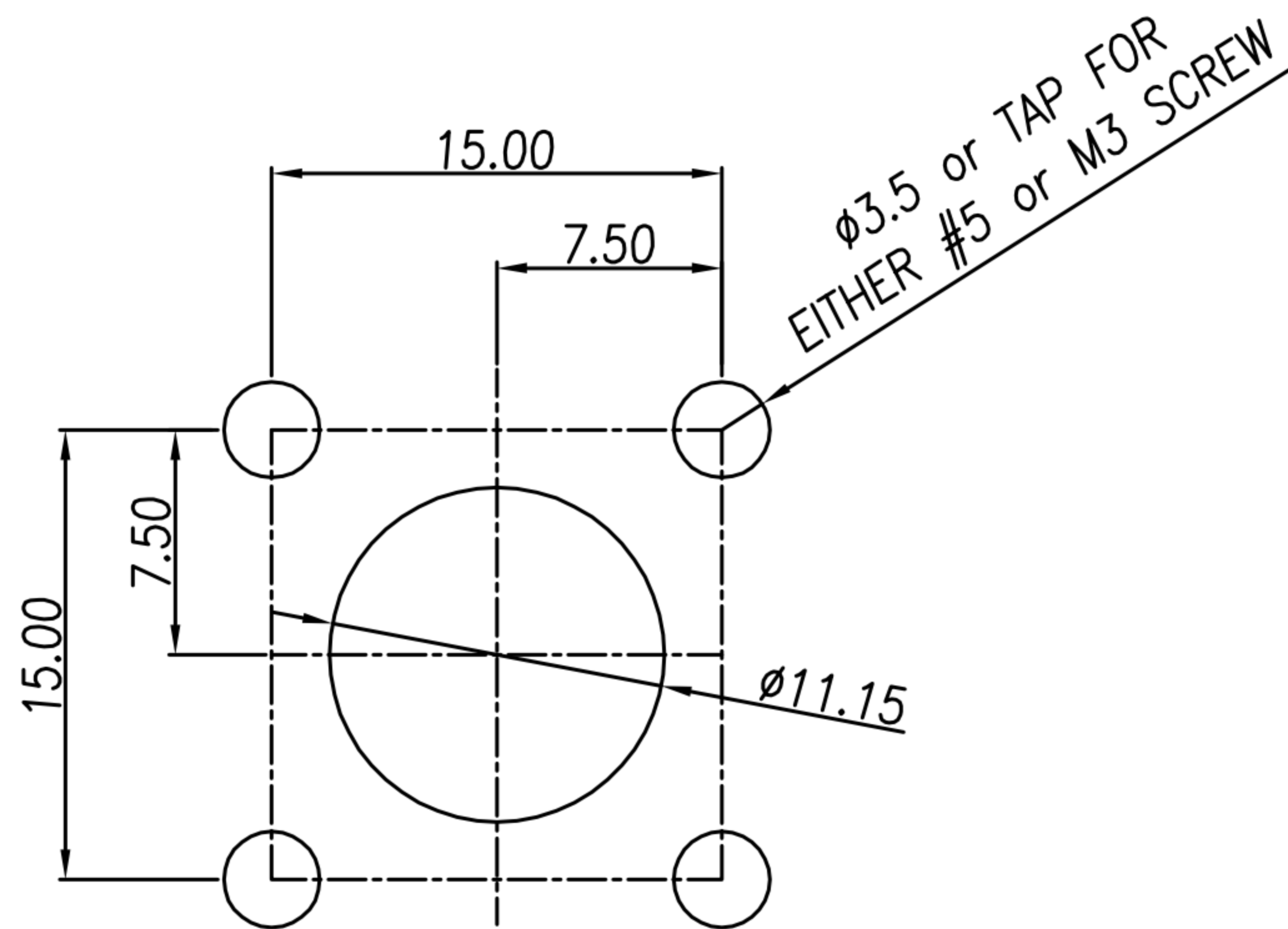


TABLE A

	
5PIN	4PIN
WP-05M2-210-11	WP-04M2-243-11
	
3PIN	
WP-03M2-56-11	



RECOMMEND PANEL CUT-OUT

- MATERIAL :
 - HOUSING : PBT UL94V-0 ; COLOR : BLACK
 - CONTACT : BRASS
 - SHELL : BRASS
- FINISH :
 - CONTACT : GOLD PLATED
 - SHELL : NICKEL PLATED.
- ELECTRICAL SPECIFICATION :
 - Rated current : 4A
 - Rated Voltage : 3&4PIN 250V ; 5PIN 60V
 - Water proof: IP67
- Environmental :
 - Operation Temperature : -40℃~85℃

DRAWN	Mark Kao	APP'D	Ku Chou	UNIT	mm	TOLERANCE		 广东科斯达电子科技有限公司 GUANG DONG KE SI DA ELECTRONIC TECHNOLOGY CO., LTD.	TITLE	M12 (M) 方型鎖板線式			SHEET	 1
CHK'D	Emily Suen			SCALE	1:1				PART NO.	SEE TABLE A	DWG NO.	QC7339	VERSION	