

CUSTOMER DRAWING

REV.	DESCRIPTION	APPROVED BY	DATE	ECN NO.
△A	RELEASE	Fido Weng	14/05/13'	
△B	修正側視圖	Ku Chou	17/12/18'	
△C				

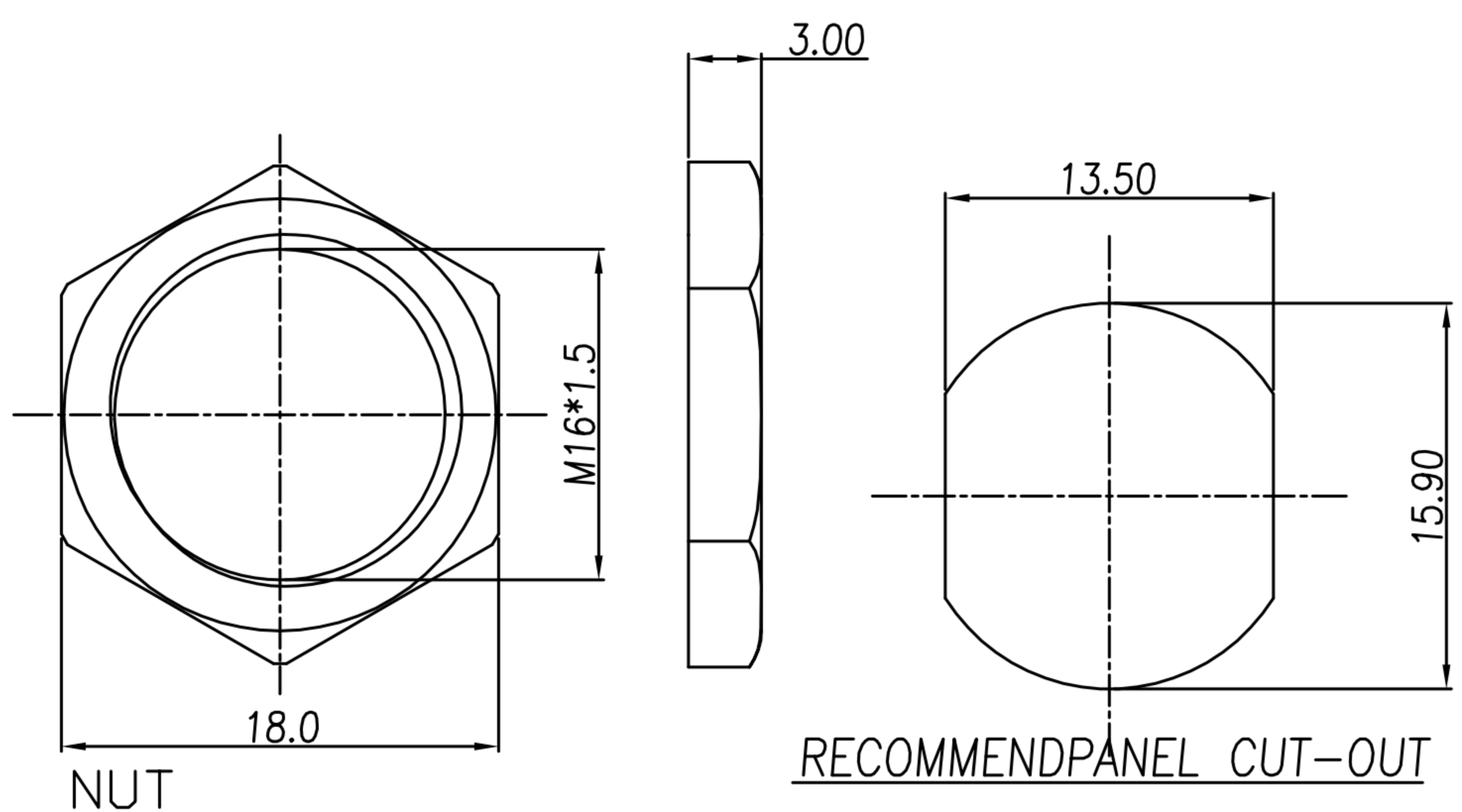
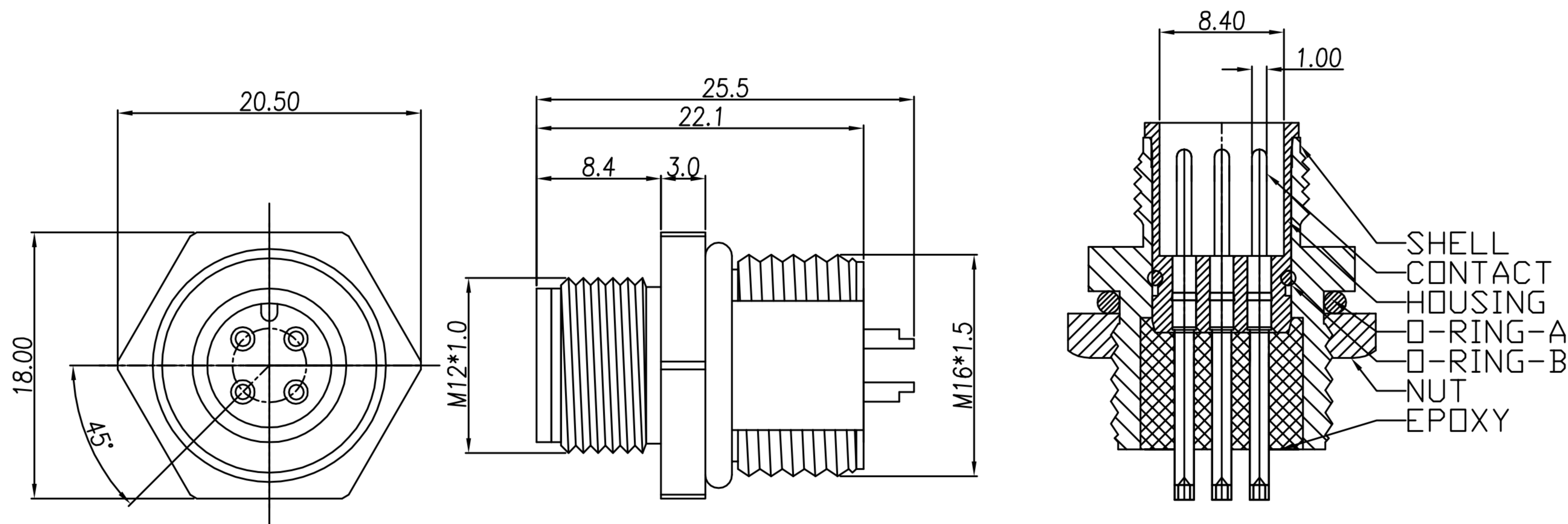


TABLE A

3PIN	2PIN
WP-03M2-138-11	WP-02M2-85-11
5PIN	4PIN
WP-05M2-62	WP-04M2-51

- MATERIAL :
 - HOUSING : PBT UL94V-0 ; COLOR : BLACK
 - CONTACT : BRASS
 - NUT : BRASS
 - O-RING-A : EPDM ; COLOR : BLACK
 - O-RING-B : SILCONE ; COLOR : GREEN
 - SHELL : BRASS
- FINISH :
 - CONTACT : 10 MICRO INCHES MIN. GOLD PLATED
UNDER PLATE : NICKEL
 - NUT : NICKEL PLATED.
 - SHELL : NICKEL PLATED.
- ELECTRICAL SPECIFICATION :
 - Rated current : 4A
 - Rated Voltage : 4PIN 250V ; 5PIN 60V
 - Water proof : IP67/IP68
- Environmental :
 - Operation Temperature : -20℃~85℃

DRAWN	Ku Chou	APP'D	Fido Weng	UNIT	mm	TOLERANCE			广东科斯达电子科技有限公司 GUANG DONG KE SI DA ELECTRONIC TECHNOLOGY CO., LTD.	TITLE	WP M12 (M) 板端後鎖螺絲(鎖版M16*1.5)+螺母			SHEET	1
CHK'D	Enly Suen			SCALE	1:1					PART NO.	SEE TABLE A	DWG NO.	QC5126	VERSION	B