

CUSTOMER DRAWING

REV.	DESCRIPTION	APPROVED BY	DATE	ECN NO.
A	RELEASE	Fido Weng	10/01/11'	
B				
C				

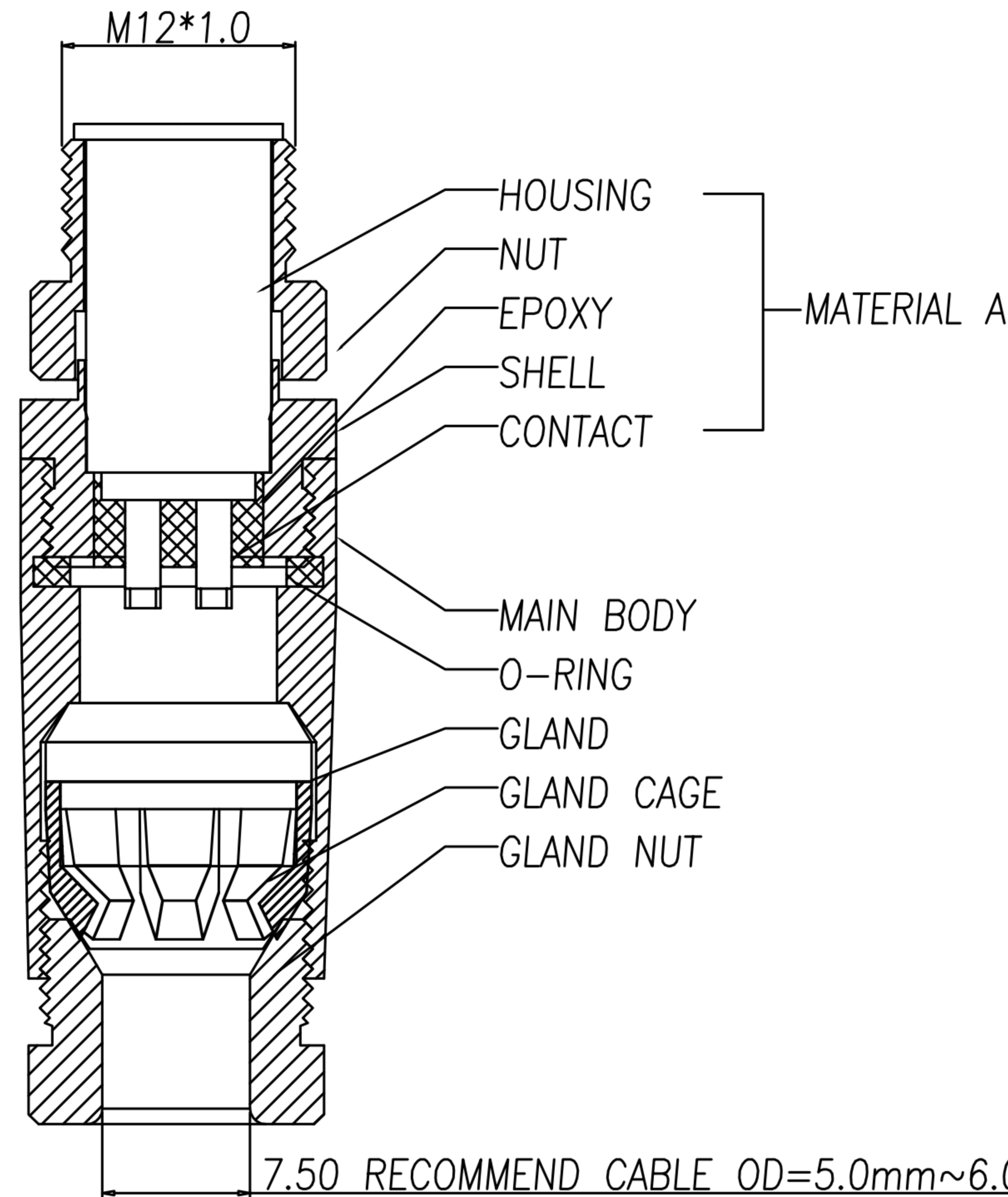
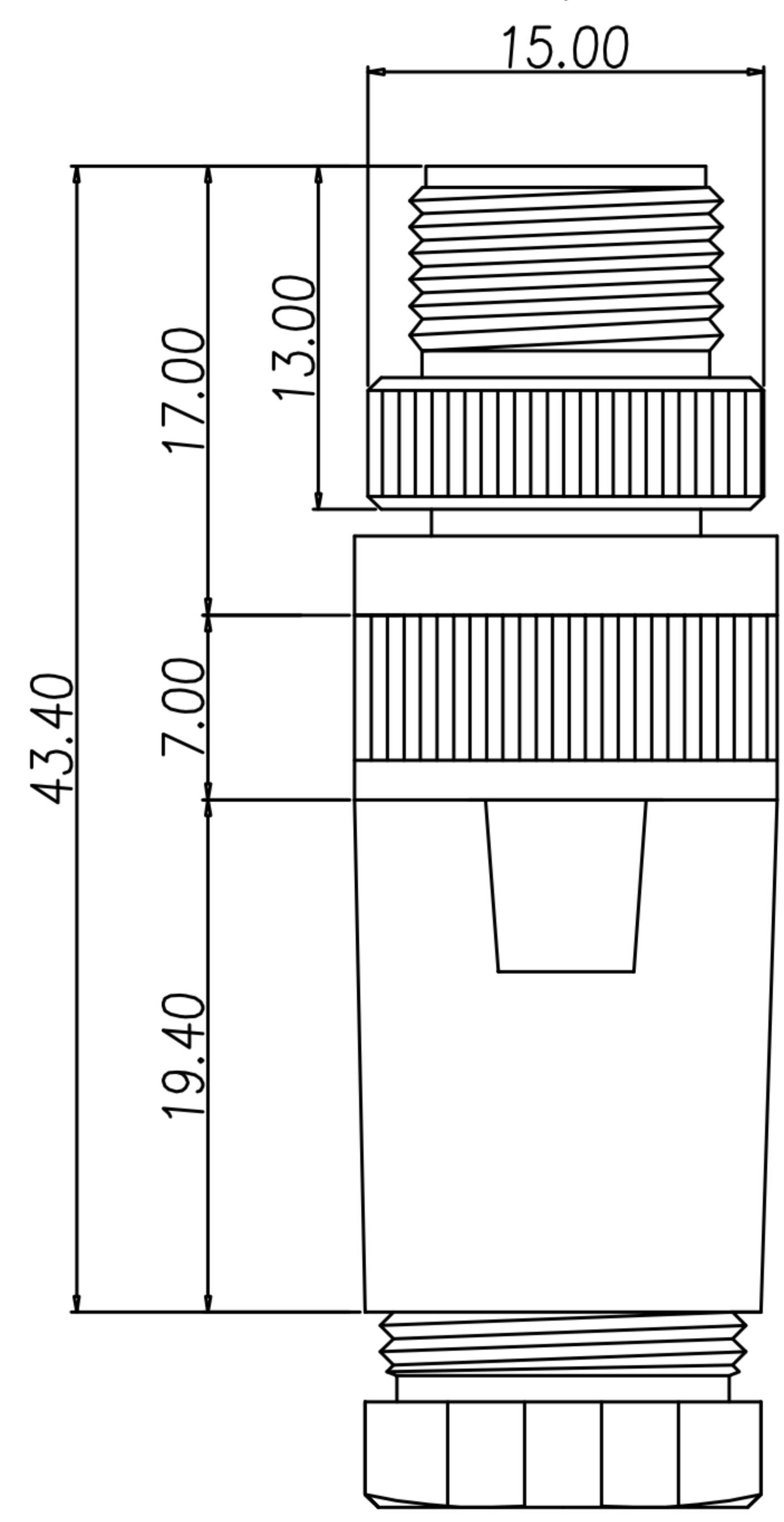
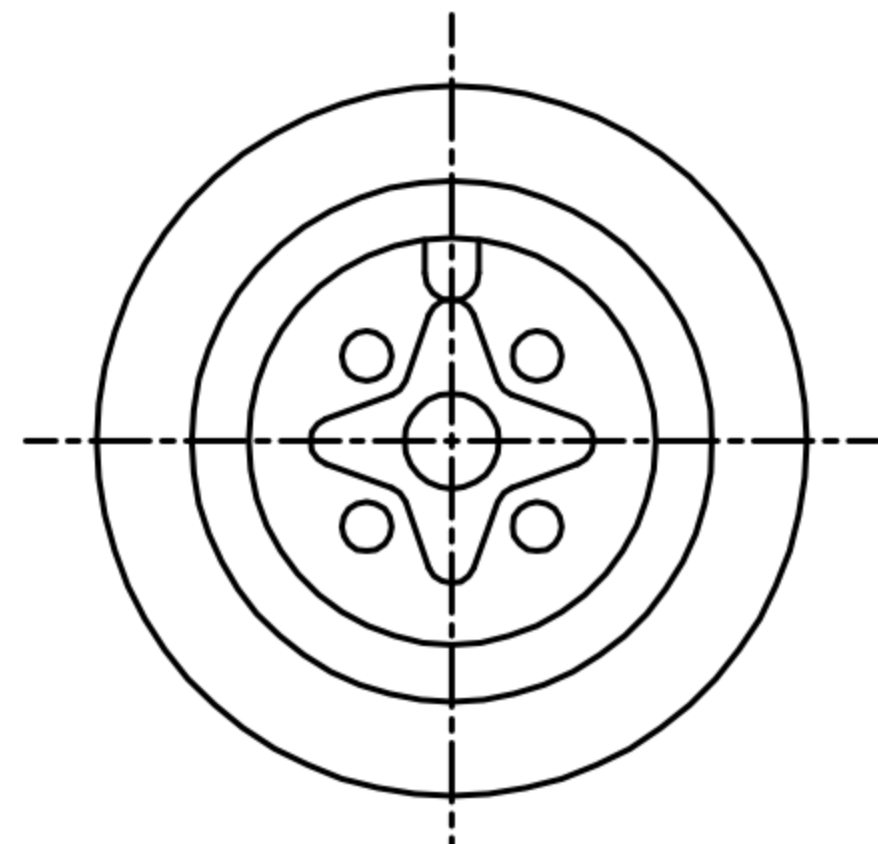


TABLE A

5PIN	4PIN	3PIN	
WP-05M2-68 WP-05M2-102-11	WP-04M2-53 WP-04M2-122-11	WP-03M2-52-11 WP-03M2-79-11	
	3PIN	2PIN	
	WP-03M2-53-11 WP-03M2-78-11	WP-02M2-76-11 WP-02M2-77-11	
WP-02M2-76-11	GOLD FLASH	WP-02M2-77-11	GOLD 10u"
WP-03M2-53-11	GOLD FLASH	WP-03M2-79-11	GOLD 10u"
WP-03M2-52-11	GOLD FLASH	WP-03M2-78-11	GOLD 10u"
WP-04M2-53	GOLD FLASH	WP-04M2-122-11	GOLD 10u"
WP-05M2-68	GOLD FLASH	WP-05M2-102-11	GOLD 10u"
PART NO	FINISH	PART NO	FINISH

- MATERIAL :
  - MATERIAL A :
    - HOUSING : PBT UL94V-0 ; COLOR : BLACK.
    - CONTACT : BRASS
    - NUT : ALUMINIUM ALLOY
    - SHELL : ALUMINIUM ALLOY
  - MAIN BODY : ALUMINIUM ALLOY
  - GLAND : SILICONE ; COLOR : BLACK.
  - GLAND CAGE : POM ; COLOR : BLACK.
  - GLAND NUT : ALUMINIUM ALLOY
  - O-RING : SILICONE ; COLOR : BLACK.
- FINISH :
  - MATERIAL A :
    - CONTACT : SEE TABLE A
    - NUT : SATIN NICKEL PLATED.
    - SHELL : SATIN NICKEL PLATED.
  - MAIN BODY : SATIN NICKEL PLATED.
  - GLAND NUT : SATIN NICKEL PLATED.
- ELECTRICAL SPECIFICATION :
  - Rated current : 4A
  - Rated voltage : 2~4PIN 250V ; 5PIN 60V
  - Water proof : IP67/68
- Environmental :
  - Operation Temperature : -20°C~85°C

DRAWN	Ku Chou	APP'D	Emily Suen	UNIT	mm	TOLERANCE			广东科斯达电子科技有限公司 GUANG DONG KE SI DA ELECTRONIC TECHNOLOGY CO., LTD.	TITLE	M12 (M) A-coded Assembly type			SHEET	1
CHK'D	Emily Suen			SCALE	1:1					PART NO.	SEE TABLE A	DWG NO.	QC5206	VERSION	A