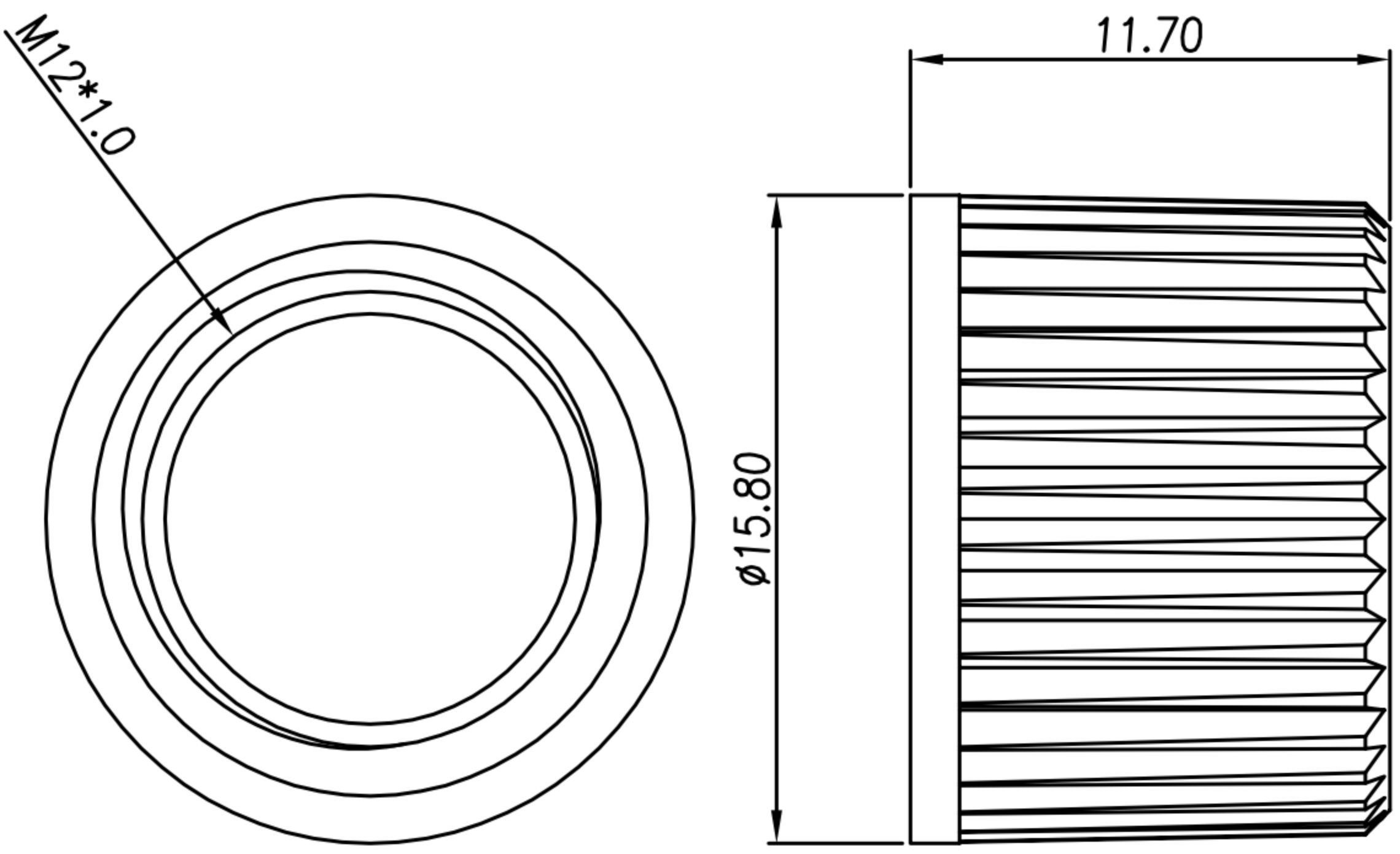
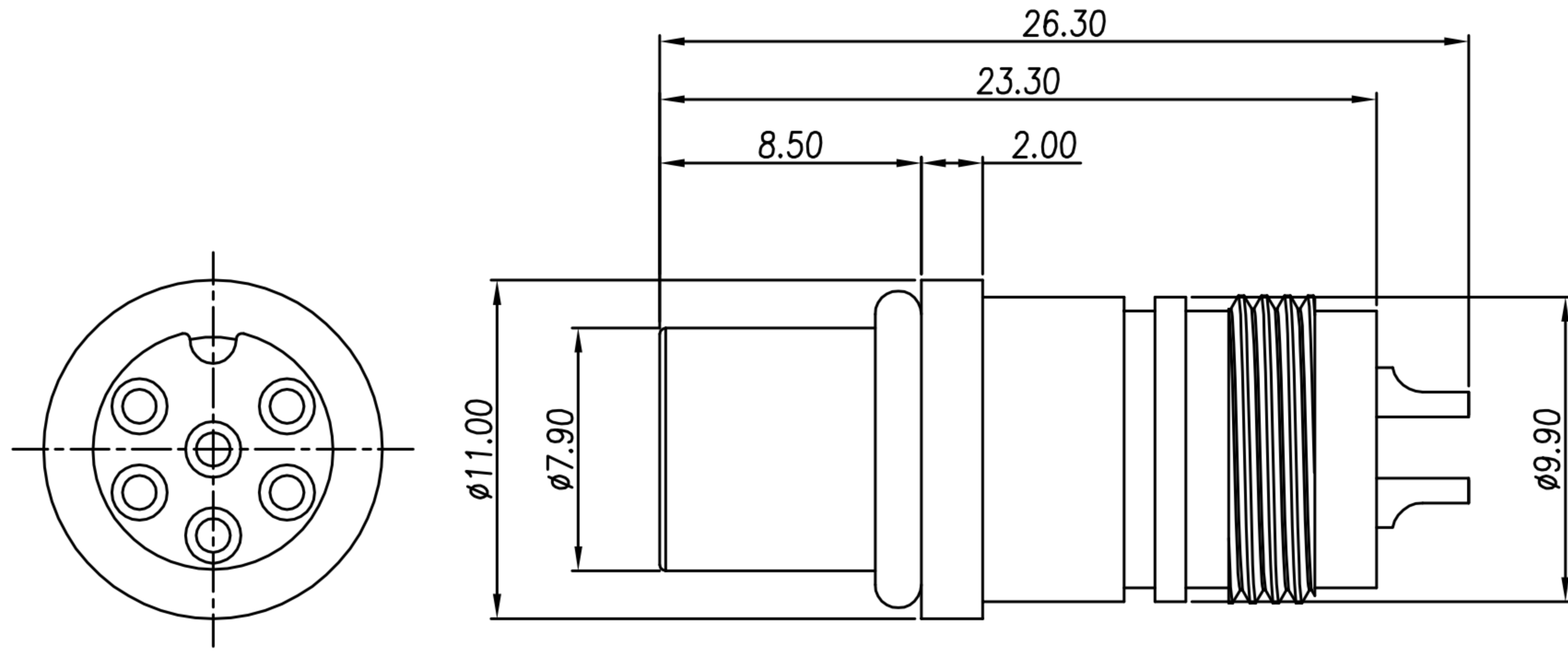


# CUSTOMER DRAWING

REV.	DESCRIPTION	APPROVED BY	DATE	ECN NO.
△A	RELEASE	Fido Weng	11/28/14*	
△B				
△C				



1. MATERIAL :
  - 1-1. HOUSING : PBT UL94V-0 ; COLOR : BLACK
  - 1-2. CONTACT : BRASS
  - 1-3. NUT : PBT UL94V-0 ; COLOR : BLACK
  - 1-4. O-RING : EPDM
2. FINISH :
  - 2-1. CONTACT : GOLD FLASH PLATED
  - UNDER PLATE : NICKEL
3. ELECTRICAL SPECIFICATION :
  - 3-1. Rated current : 4A
  - 3-2. Rated voltage : 2~4PIN 250V ;  
5~6PIN 60V
  - 3-3. Water proof : IP67
4. Environmental :
  - 4-1. Operation Temperature : -20℃~85℃

TABLE A

WP-06F2-30-11	
WP-05F2-96-11	WP-04F2-120-11
WP-03F2-45-11	WP-02F2-29-11