

# CUSTOMER DRAWING

REV.	DESCRIPTION	APPROVED BY	DATE	ECN NO.
A	RELEASE	Fido Weng	04/03/10*	
B				
C				

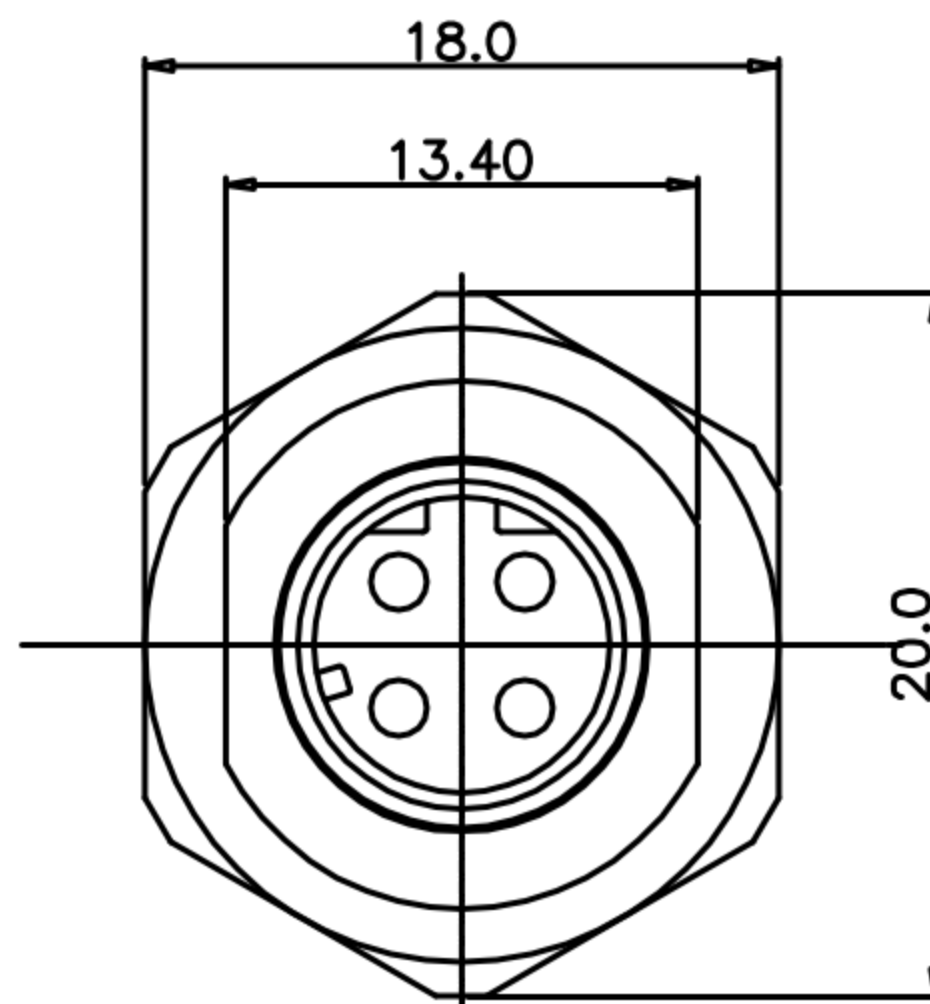
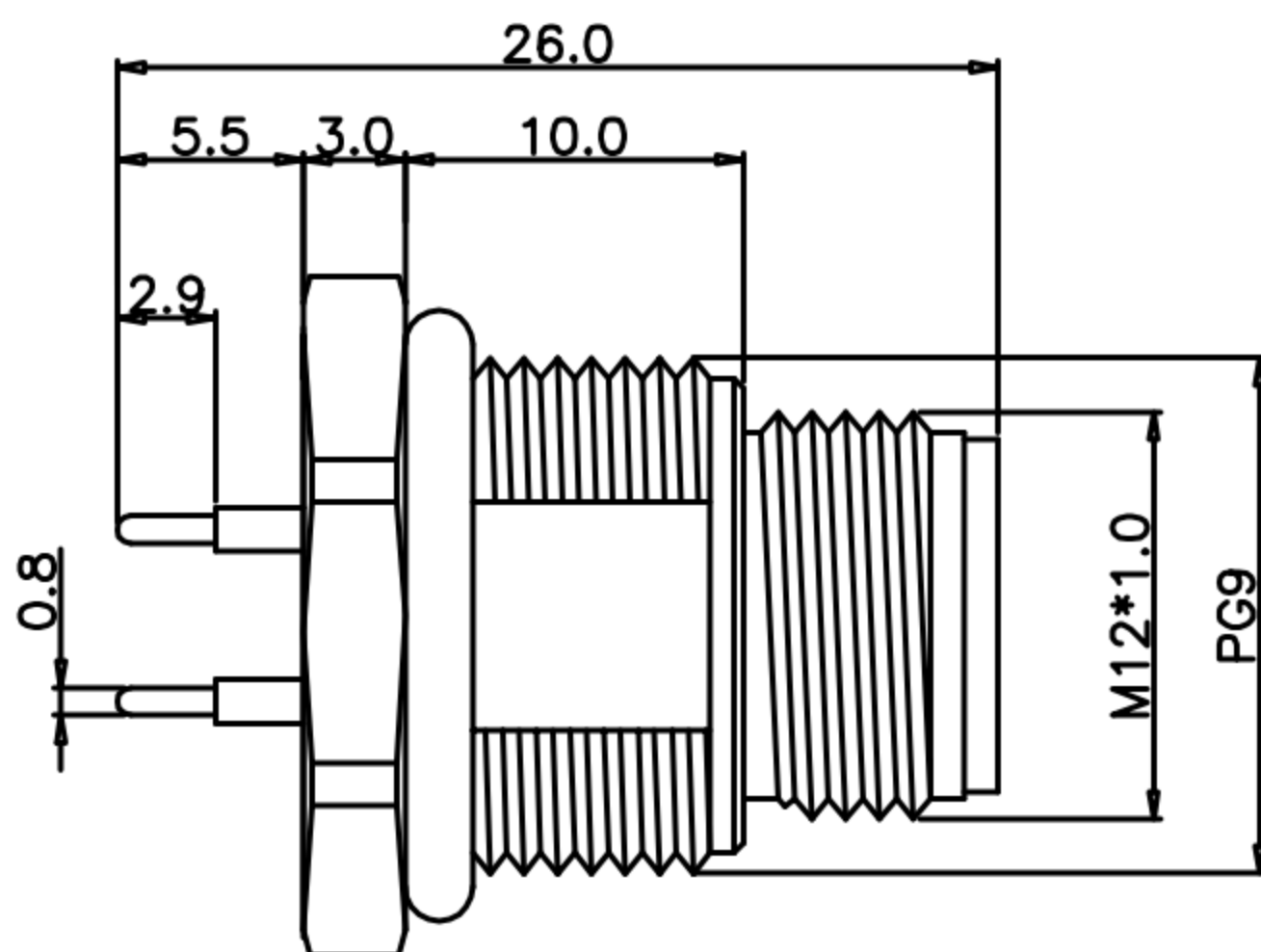
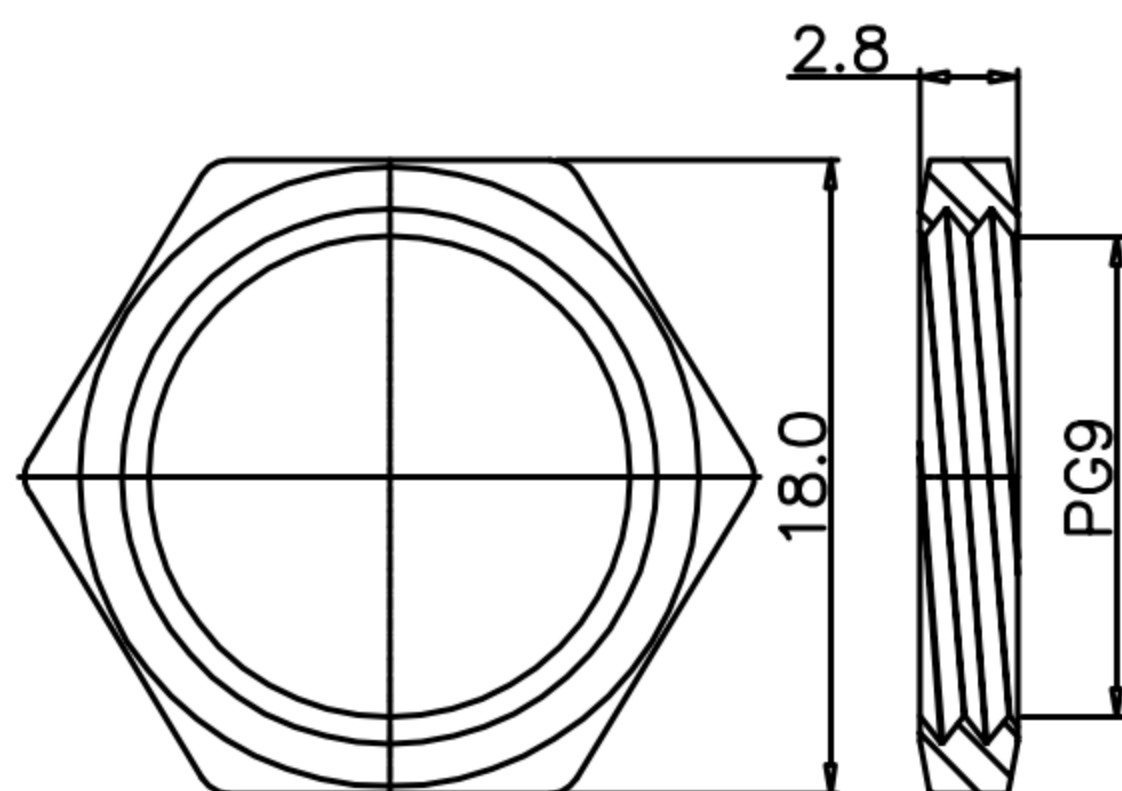


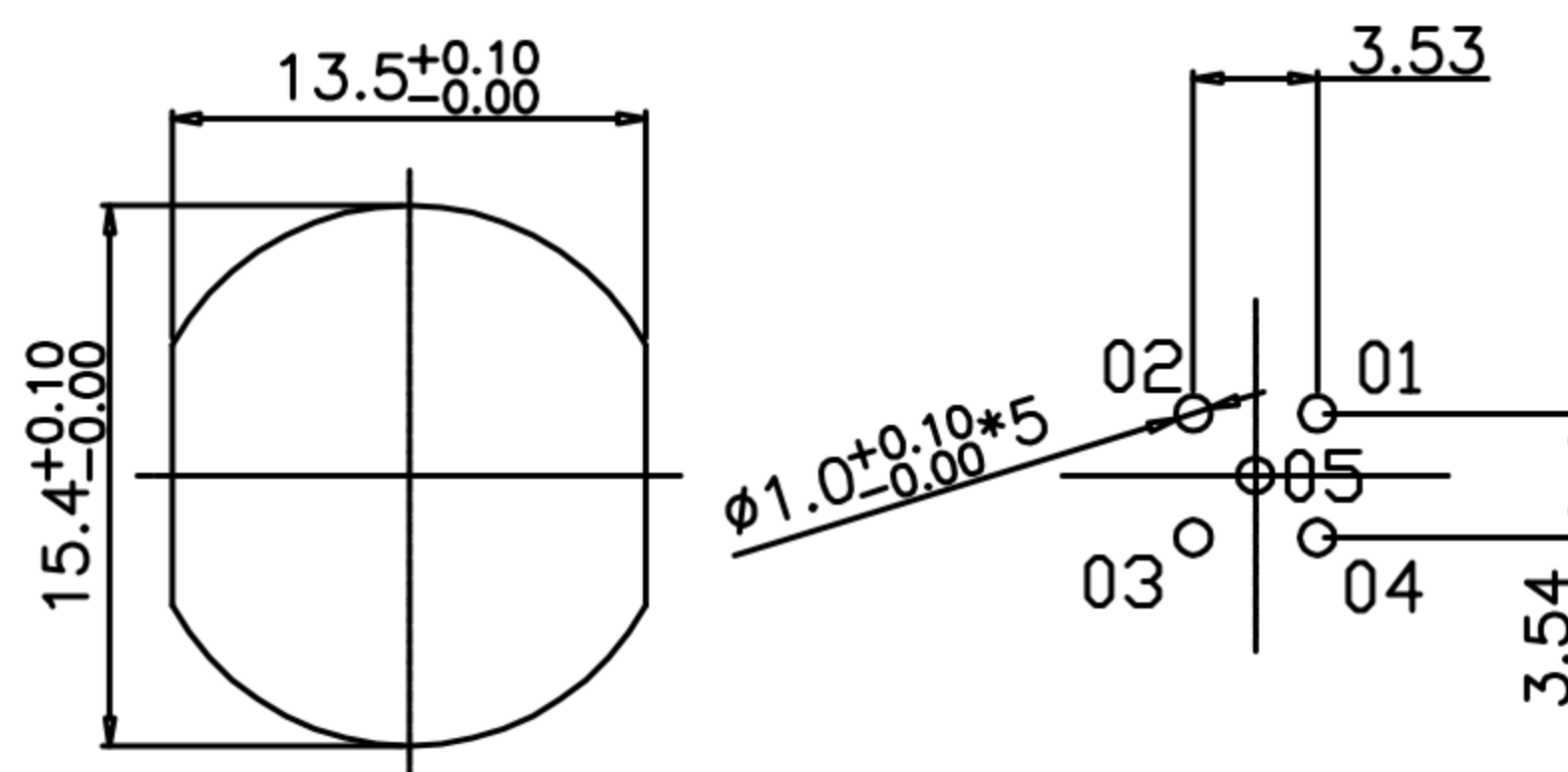
TABLE A

4PIN	5PIN
WP-04M2-133-11	WP-05M2-117-11
WP-04M2-132-11	
WP-04M3-15-11	

PART NO	MATERIAL(SHELL&NUT)	FINISH(SHELL&NUT)	FINISH(CONTACT)
WP-04M3-15-11	STAINLESS STEEL 316	-	GOLD 10u"
WP-04M2-132-11	BRASS	NICKEL PLATED	GOLD FLASH
WP-04M2-133-11	BRASS	NICKEL PLATED	GOLD 10u"
WP-05M2-117-11	BRASS	NICKEL PLATED	GOLD 10u"



NUT



RECOMMEND PANEL CUT-OUT RECOMMEND P.C.B LAYOUT

- MATERIAL :
  - 1-1. HOUSING : PBT UL94V-0 ; COLOR : BLACK
  - 1-2. CONTACT : BRASS
  - 1-3. NUT : SEE TABLE A
  - 1-4. SHELL : SEE TABLE A
  - 1-5. O-RING : EPDM ; COLOR : BLACK
- FINISH :
  - 2-1. CONTACT : SEE TABLE A.  
UNDER PLATE : NICKEL
  - 2-2. NUT : SEE TABLE A
  - 2-3. SHELL : SEE TABLE A
- ELECTRICAL SPECIFICATION :
  - 3-1. Rated current : 4A
  - 3-2. Rated Voltage : 4PIN 250V ; 5PIN 60V
  - 3-3. Water proof: IPX7
- Environmental :
  - 4-1. Operation Temperature : -40°C~85°C

DRAWN	Ku Chou	APPEND	Fido Weng	UNIT	MM	TOLERANCE		广东科斯达电子科技有限公司 GUANG DONG KE SI DA ELECTRONIC TECHNOLOGY CO., LTD.	TITLE	防水 M12 D-Code (M) 插脚 Pg9 插脚式			SHEET	A
CHOKED	Emily Suen	SCALE	1:1						PART NO.	SEE TABLE A	DWG NO.	QC7519	VERSION	