

CUSTOMER DRAWING

REV.	DESCRIPTION	APPROVED BY	DATE	ECN NO.
△A	RELEASE	Fido Weng	10/01/11'	
△B				
△C				

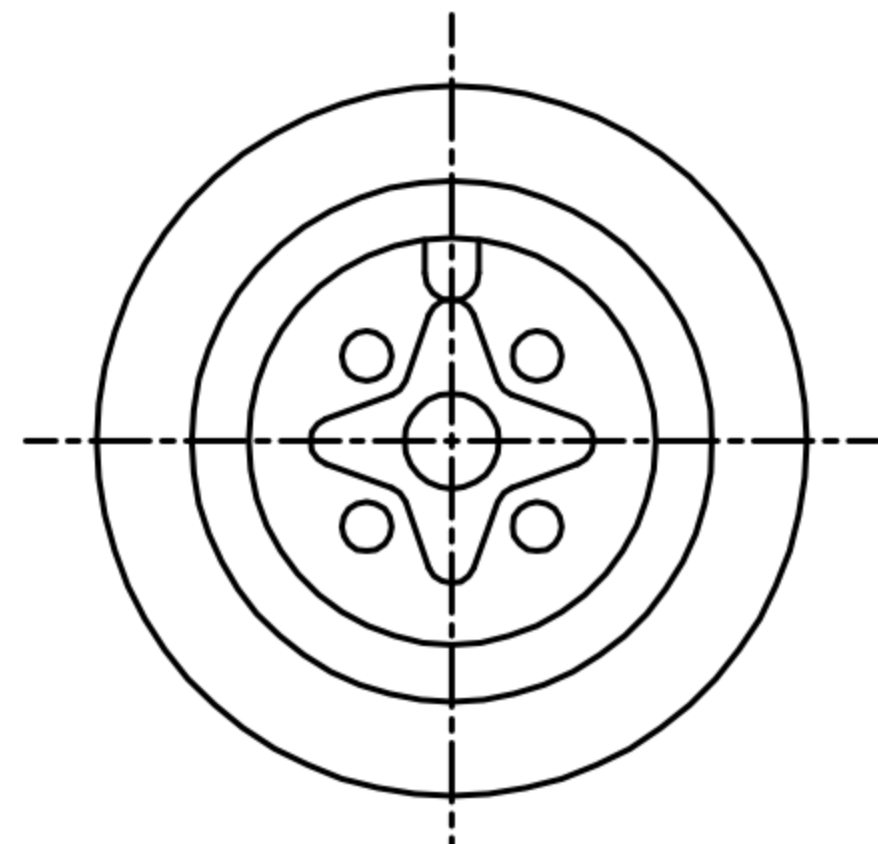
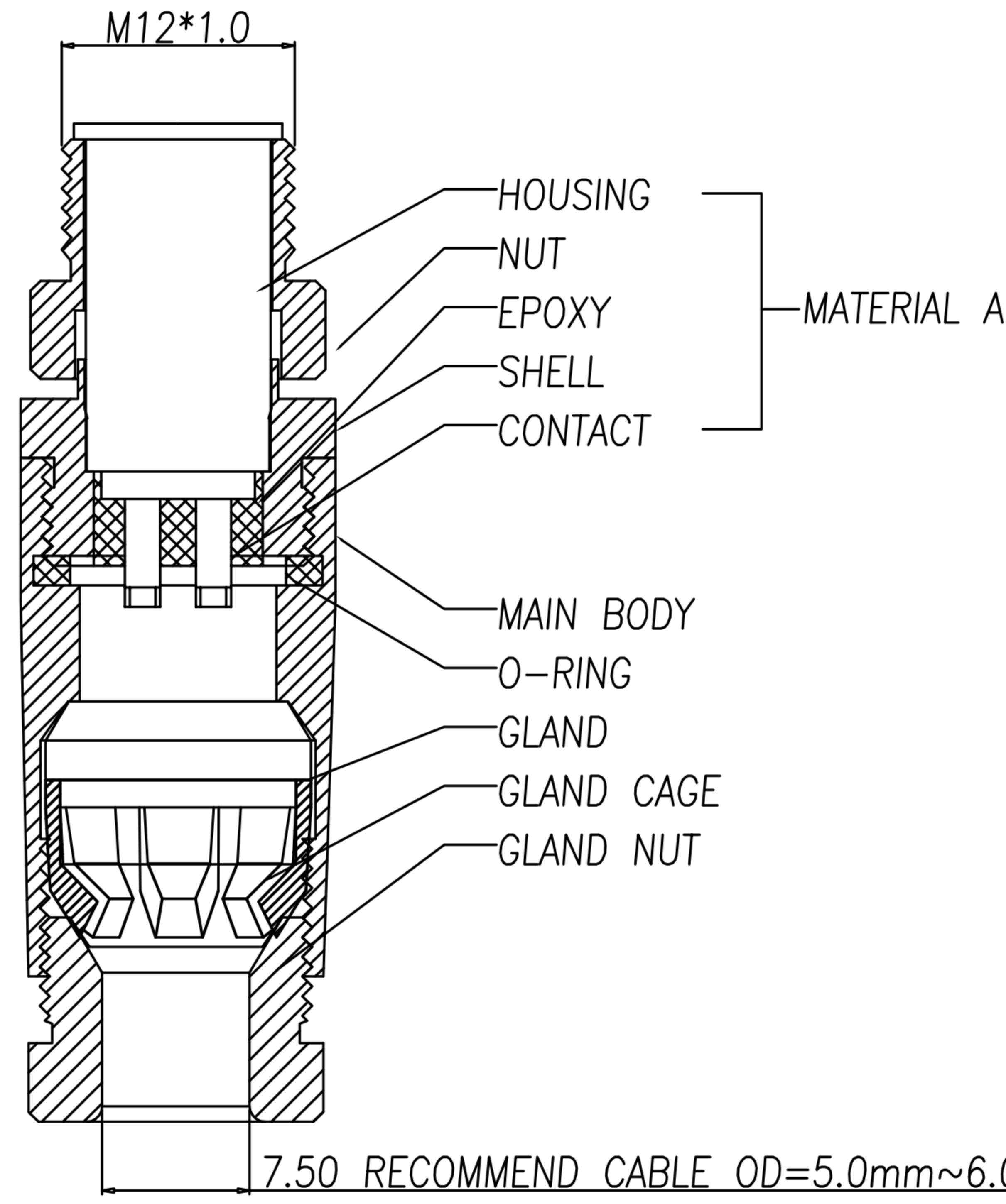
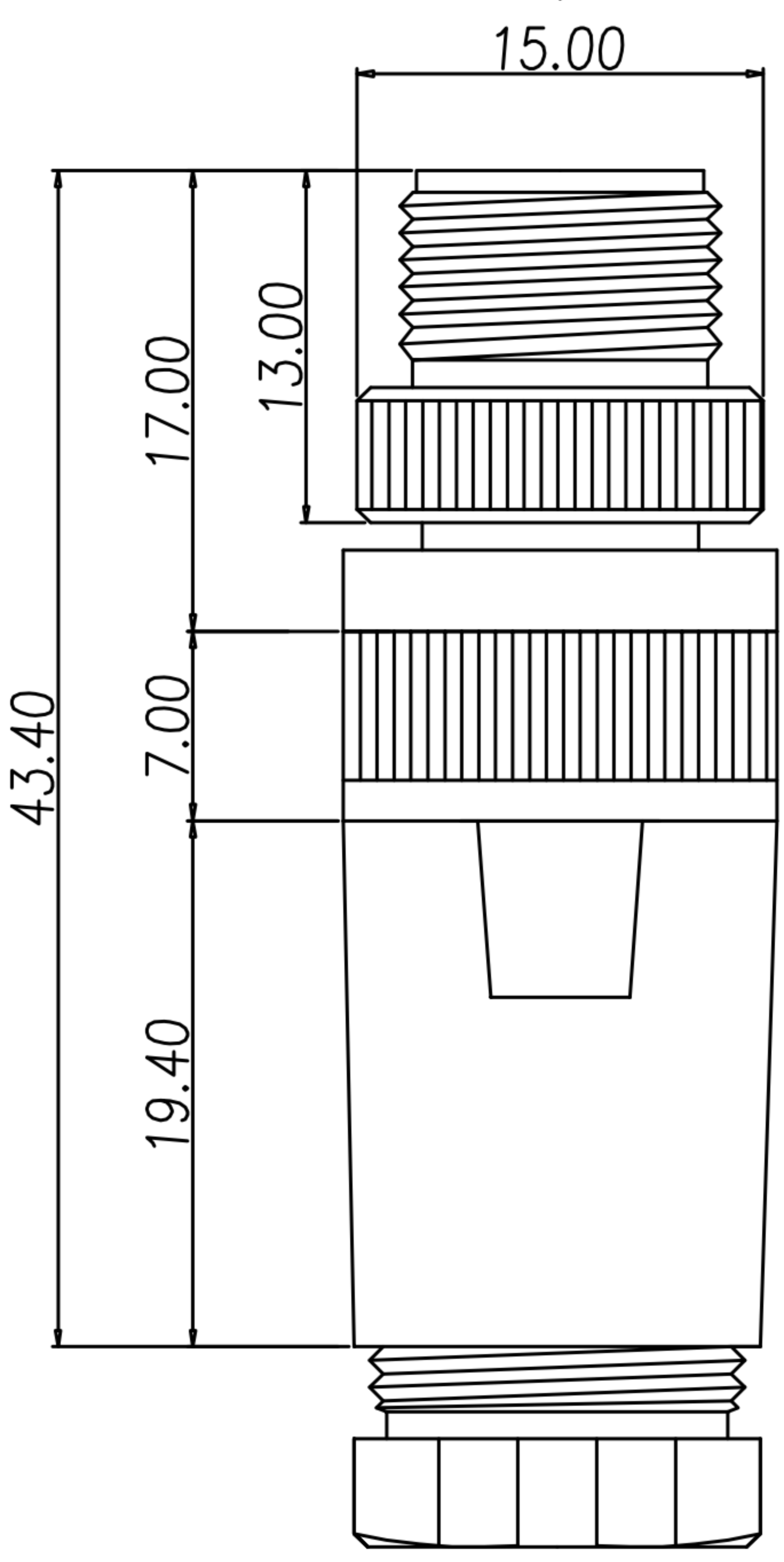


TABLE A

5PIN		4PIN		3PIN	
WP-05M2-68 WP-05M2-102-11		WP-04M2-53 WP-04M2-122-11		WP-03M2-52-11 WP-03M2-79-11	
		3PIN		2PIN	
		WP-03M2-53-11 WP-03M2-78-11		WP-02M2-76-11 WP-02M2-77-11	
WP-02M2-76-11	GOLD FLASH	WP-02M2-77-11	GOLD 10u"		
WP-03M2-53-11	GOLD FLASH	WP-03M2-79-11	GOLD 10u"		
WP-03M2-52-11	GOLD FLASH	WP-03M2-78-11	GOLD 10u"		
WP-04M2-53	GOLD FLASH	WP-04M2-122-11	GOLD 10u"		
WP-05M2-68	GOLD FLASH	WP-05M2-102-11	GOLD 10u"		
PART NO	FINISH	PART NO	FINISH		



1. MATERIAL :
  - 1-1. MATERIAL A :
    - a. HOUSING : PBT UL94V-0 ; COLOR : BLACK.
    - b. CONTACT : BRASS
    - c. NUT : ALUMINIUM ALLOY
    - d. SHELL : ALUMINIUM ALLOY
  - 1-2. MAIN BODY : ALUMINIUM ALLOY
  - 1-3. GLAND : SILICONE ; COLOR : BLACK.
  - 1-4. GLAND CAGE : POM ; COLOR : BLACK.
  - 1-5. GLAND NUT : ALUMINIUM ALLOY
  - 1-6. O-RING : SILICONE ; COLOR : BLACK.
2. FINISH :
  - 2-1. MATERIAL A :
    - a. CONTACT : SEE TABLE A
    - b. NUT : SATIN NICKEL PLATED.
    - c. SHELL : SATIN NICKEL PLATED.
  - 2-2. MAIN BODY : SATIN NICKEL PLATED.
  - 2-3. GLAND NUT : SATIN NICKEL PLATED.
3. ELECTRICAL SPECIFICATION :
  - 3-1. Rated current : 4A
  - 3-2. Rated voltage : 2~4PIN 250V ; 5PIN 60V
  - 3-3. Water proof : IP67/68
4. Environmental :
  - 4-1. Operation Temperature : -20℃~85℃

DRAWN	Ku Chou	APP'D	Emily Suen	UNIT	mm	TOLERANCE			广东科斯达电子科技有限公司 GUANG DONG KE SI DA ELECTRONIC TECHNOLOGY CO., LTD.	TITLE	M12 (M) A-coded Assembly type			SHEET	1
CHK'D	Emily Suen			SCALE	1:1					PART NO.	SEE TABLE A	DWG NO.	QC5206	VERSION	A