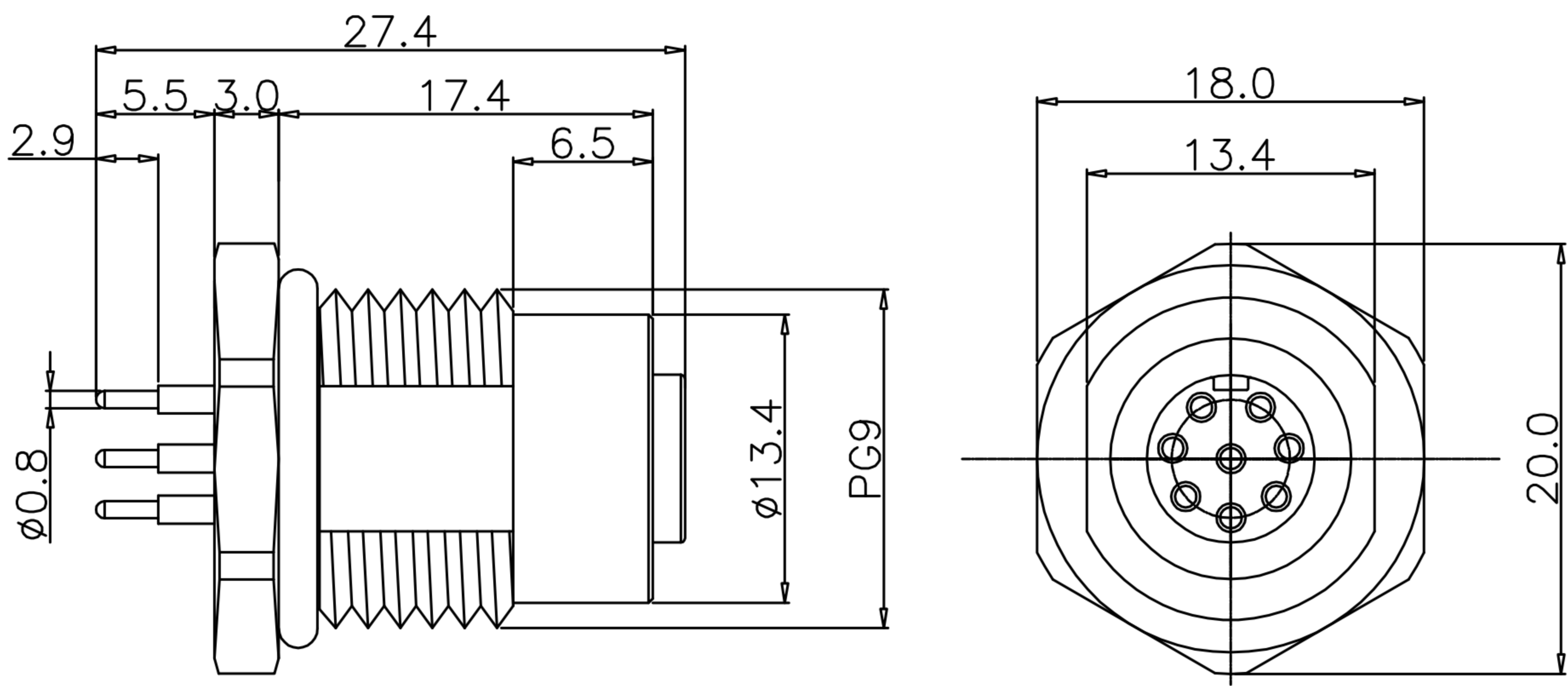


CUSTOMER DRAWING

REV.	DESCRIPTION	APPROVED BY	DATE	ECN NO.
△A	RELEASE	Fido Weng	17/11/10'	
△B	ADD P/N	KU CHOU	22/01/21'	
△C				

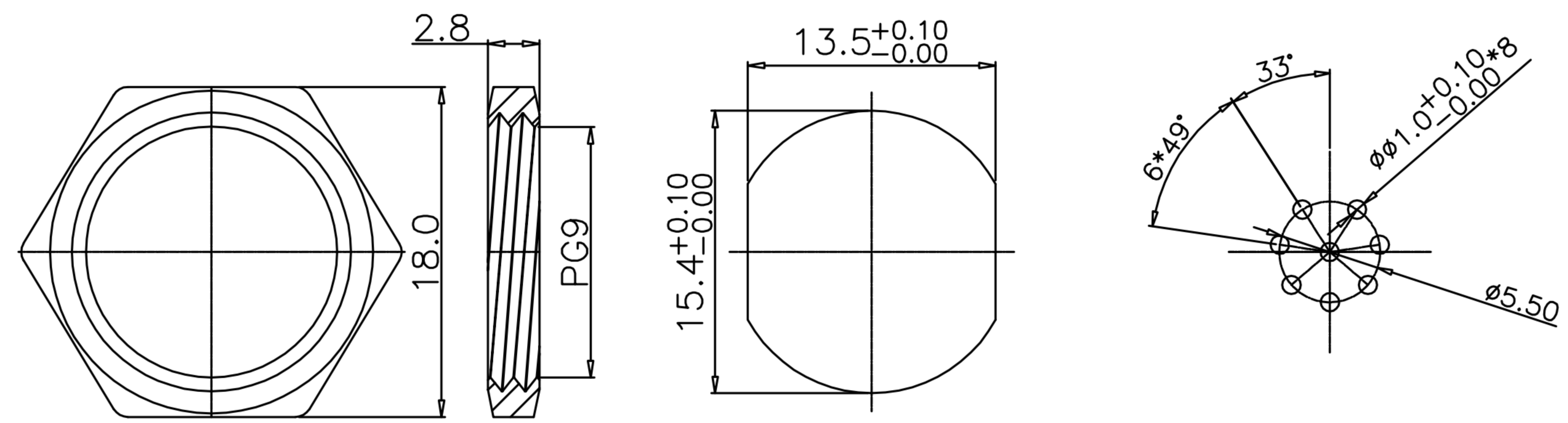


Pin Configuration	Part Numbers
8PIN	WP-08F2-31 WP-08F2-73-11 WP-08F3-12-11
7PIN	WP-07F3-01-11
6PIN	WP-06F2-21
6PIN	WP-06F3-05-11

Pin Assignments
Front View

TABLE A

PART NO	MATERIAL(SHELL&NUT)	FINISH(SHELL&NUT)	FINISH(CONTACT)
WP-08F3-12-11	STAINLESS STEEL 316	-	GOLD 10u"
WP-08F2-73-11	BRASS	NICKEL PLATED	GOLD FLASH
WP-08F2-31	BRASS	NICKEL PLATED	GOLD 10u"
WP-07F3-01-11	BRASS	NICKEL PLATED	GOLD 10u"
WP-06F2-21	BRASS	NICKEL PLATED	GOLD 10u"
WP-06F3-05-11	BRASS	NICKEL PLATED	GOLD 10u"



NUT

RECOMMEND PANEL CUT-OUT RECOMMEND P.C.B LAYOUT

- MATERIAL :
 - 1-1. HOUSING : PBT UL94V-0 ; COLOR : BLACK
 - 1-2. CONTACT : BRASS
 - 1-3. NUT : SEE TABLE A
 - 1-4. SHELL : SEE TABLE A
 - 1-5. O-RING : EPDM
- FINISH :
 - 2-1. CONTACT : SEE TABLE A
 - 2-2. NUT : SEE TABLE A
 - 2-3. SHELL : SEE TABLE A
- ELECTRICAL SPECIFICATION :
 - 3-1. Rated current : 2A
 - 3-2. Rated voltage : 30V
 - 3-3. Water proof : IP67
- Environmental :
 - 4-1. Operation Temperature : -40℃~85℃

DRAWN	EMILY SUEN	APP'D	KU CHOU	UNIT	mm	TOLERANCE		TITLE	防水頭 M12 (F) 前鎖 Pg9 插件式			SHEET
CHK'D	KU CHOU			SCALE	1:1	.x ±0.20 .xx ±0.10 .xxx ±0.05 .xxxx ±0.03 ANGULA ±1°		PART NO.	SEE TABLE A	DWG NO.	QC5574	

广东科斯达电子科技有限公司
GUANG DONG KE SI DA ELECTRONIC TECHNOLOGY CO., LTD.