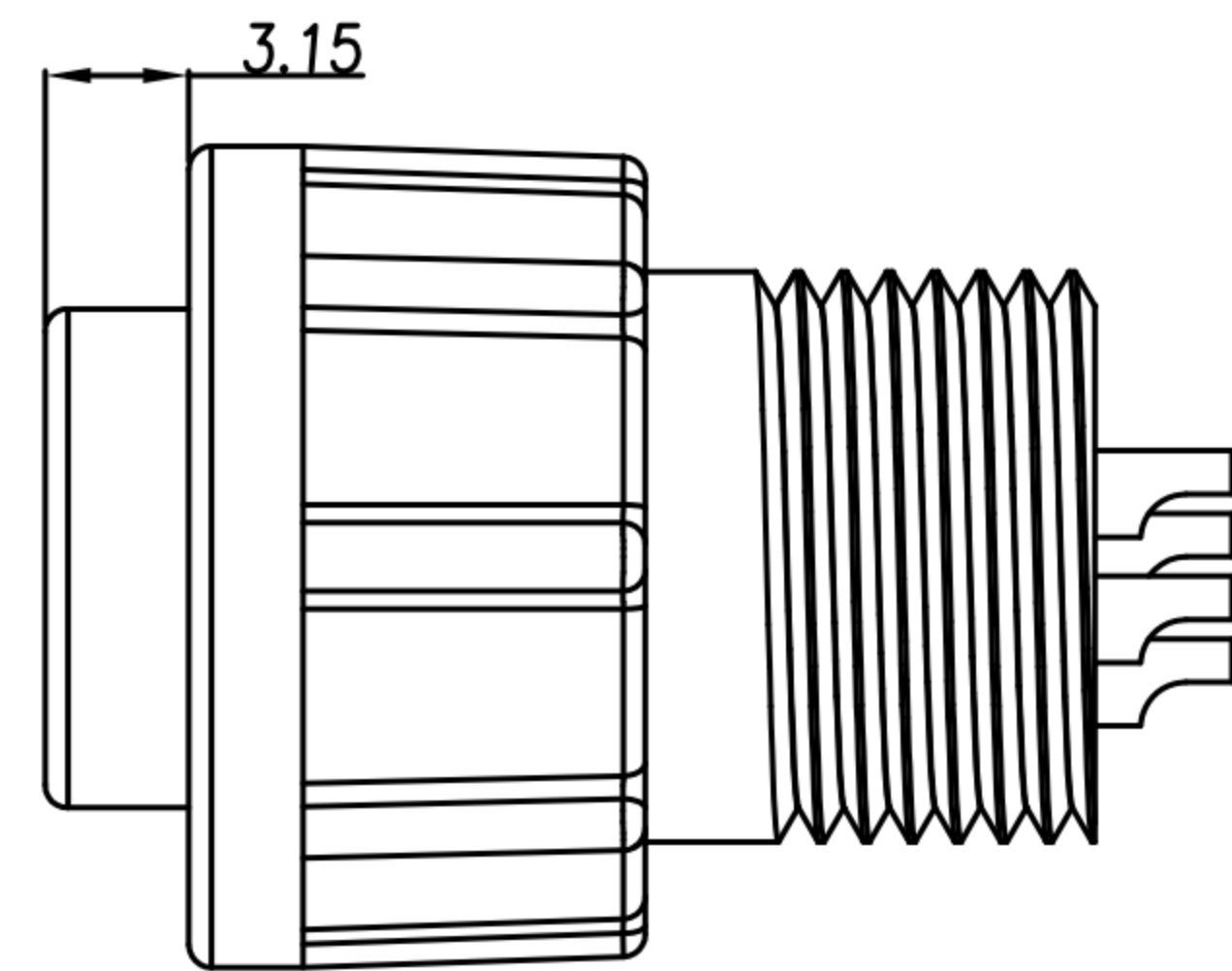
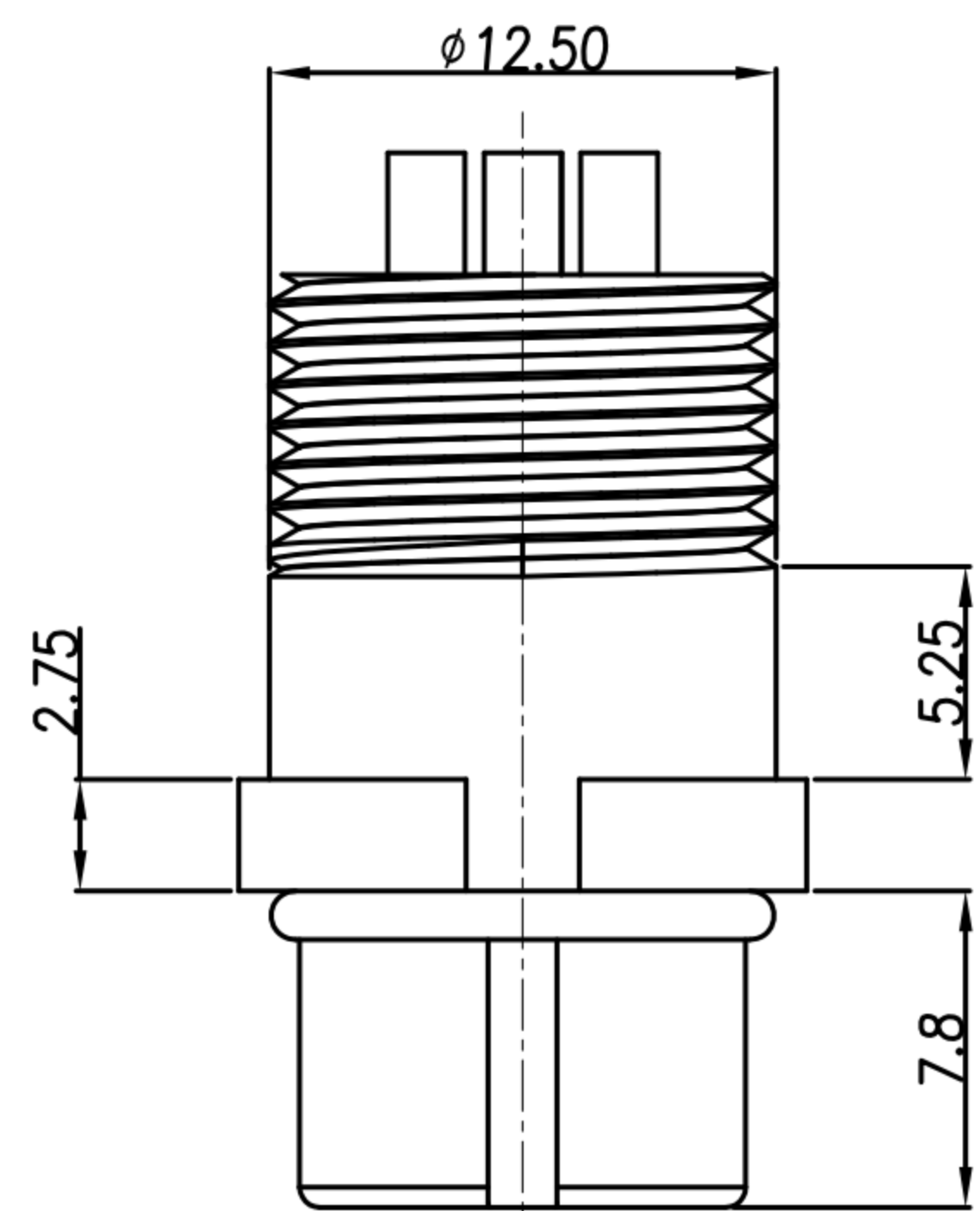


CUSTOMER DRAWING

| REV. | DESCRIPTION | APPROVED BY | DATE | ECN NO. |
|------|-------------|-------------|-----------|---------|
| A | RELEASE | Ku Chou | 30/08/18' | |
| B | | | | |
| C | | | | |



ASS'Y

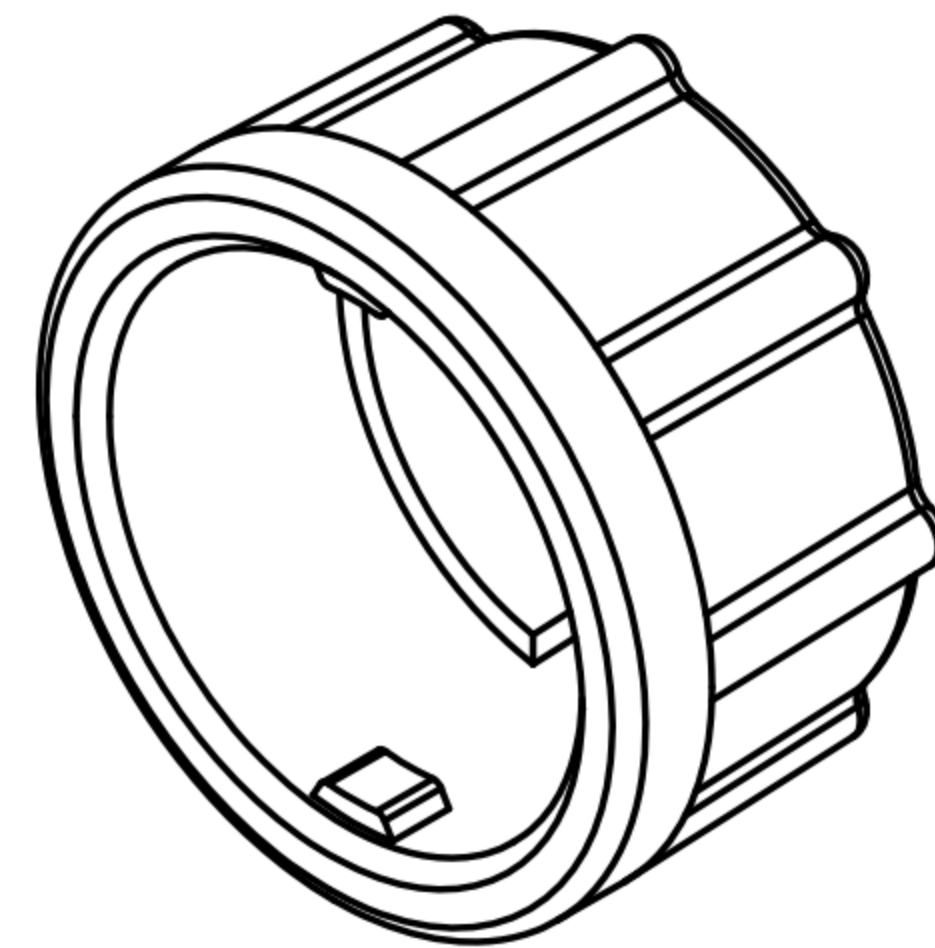
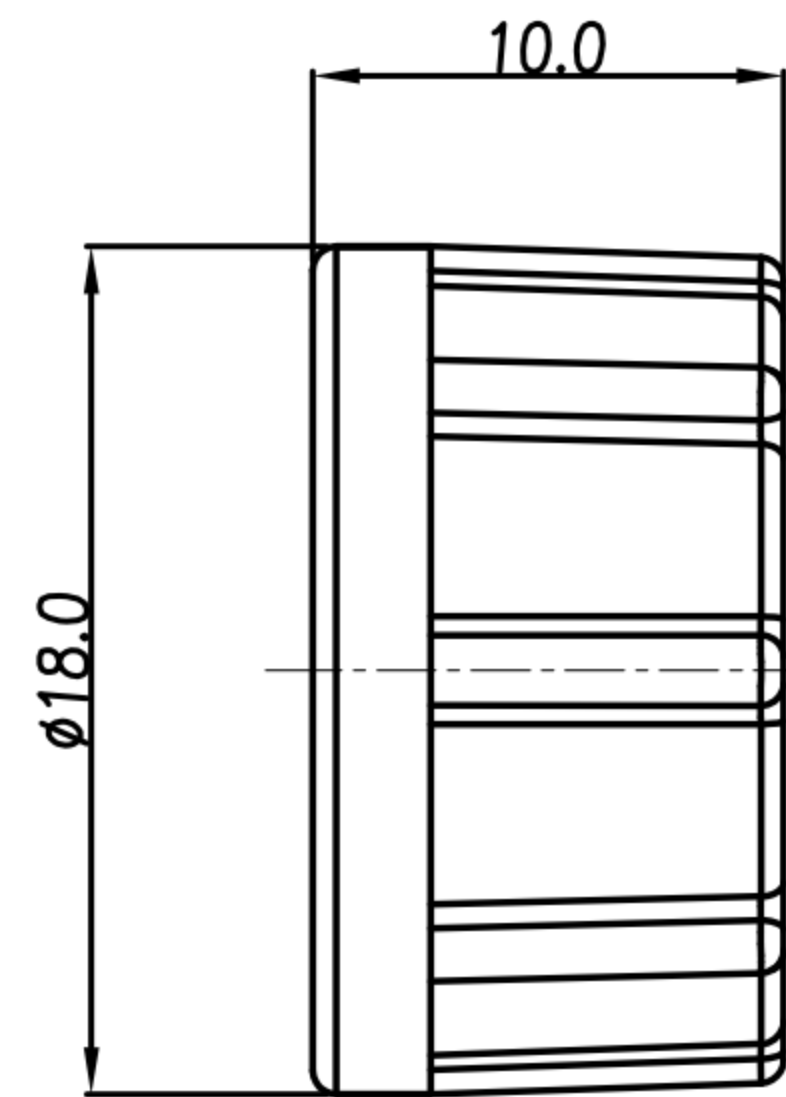
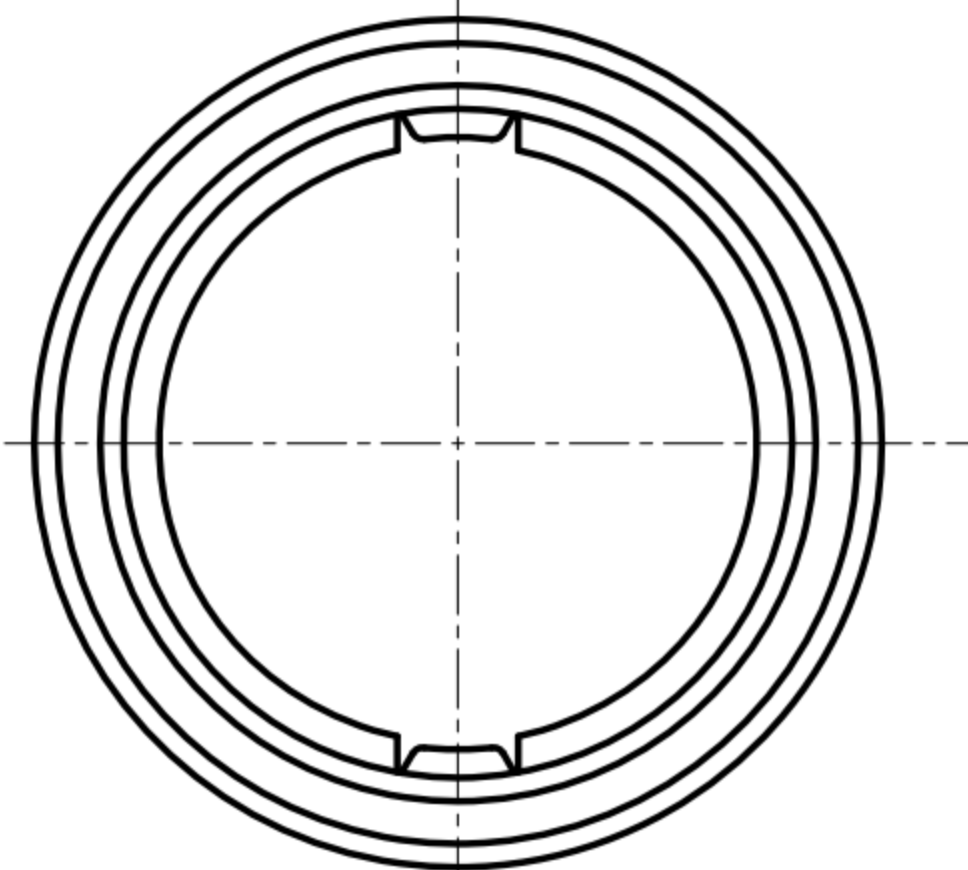
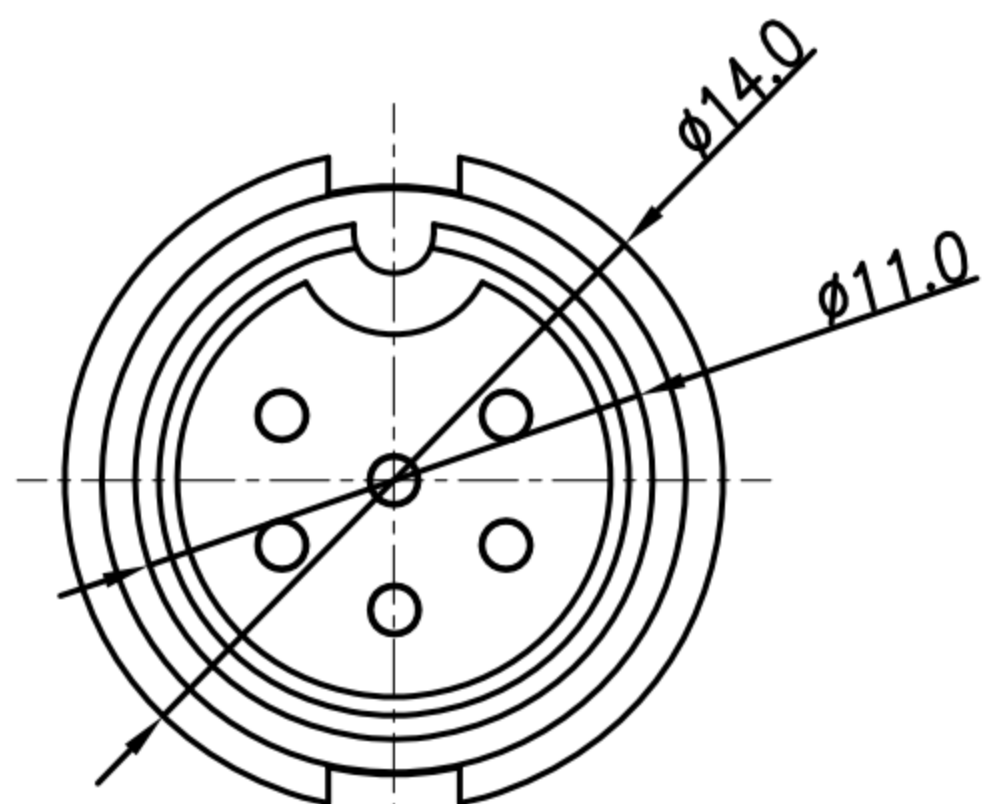
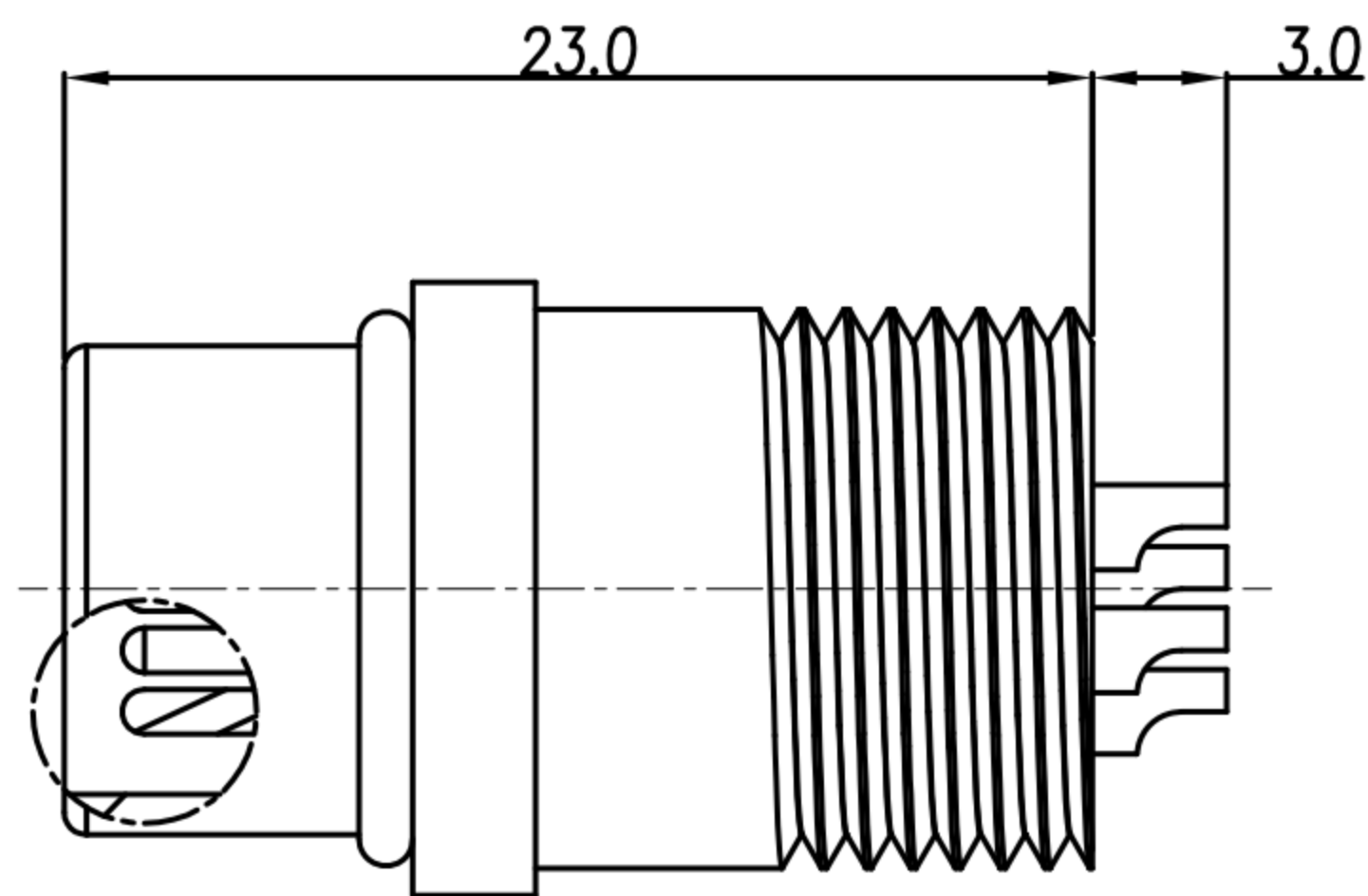


TABLE A

| | | |
|----------------|---------------|----------------|
| | | |
| 5 PIN | 6 PIN | |
| WP-05M2-153-11 | WP-06M2-78-11 | |
| | | |
| 2 PIN | 3 PIN | 4 PIN |
| WP-02M2-58-11 | WP-03M2-99-11 | WP-04M2-227-11 |

PIN ASSIGMENTS
FRONT VIEW

- MATERIAL :
 - HOUSING : PA66
 - CONTACT : BRASS
 - O-RING : SILICONE
 - LOCK NUT : PA66
- FINISH :
 - CONTACT : GOLD FLASH PLATED.
- ELECTRICAL SPECIFICATION :
 - Rated current : 5A
 - Rated voltage : 250V
 - Water proof : IP67
- Environmental :
 - Operation Temperature : -20°C~80°C

| | | | | | | | | | | | | | | | |
|-------|------------|-------|---------|----------|-------------|-----------|--|--|--|--------|---------------------------------------|---|--|-------|--|
| DRAWN | Emily Suen | APP'D | Ku Chou | UNIT | mm | TOLERANCE | | | 广东科斯达电子科技有限公司 GUANG DONG KE SI DA ELECTRONIC TECHNOLOGY CO., LTD. | TITLE | WP (F CONN/M PIN) (LOCK) B SIZE 规格-5A | | | SHEET | |
| CHK'D | Ku Chou | SCALE | 1:1 | PART NO. | SEE TABLE A | DWG NO. | | | | QC8729 | VERSION | A | | | |