

CUSTOMER DRAWING

REV.	DESCRIPTION	APPROVED BY	DATE	ECN NO.
△A	RELEASE	Ku Chou	28/01/19'	
△B				
△C				

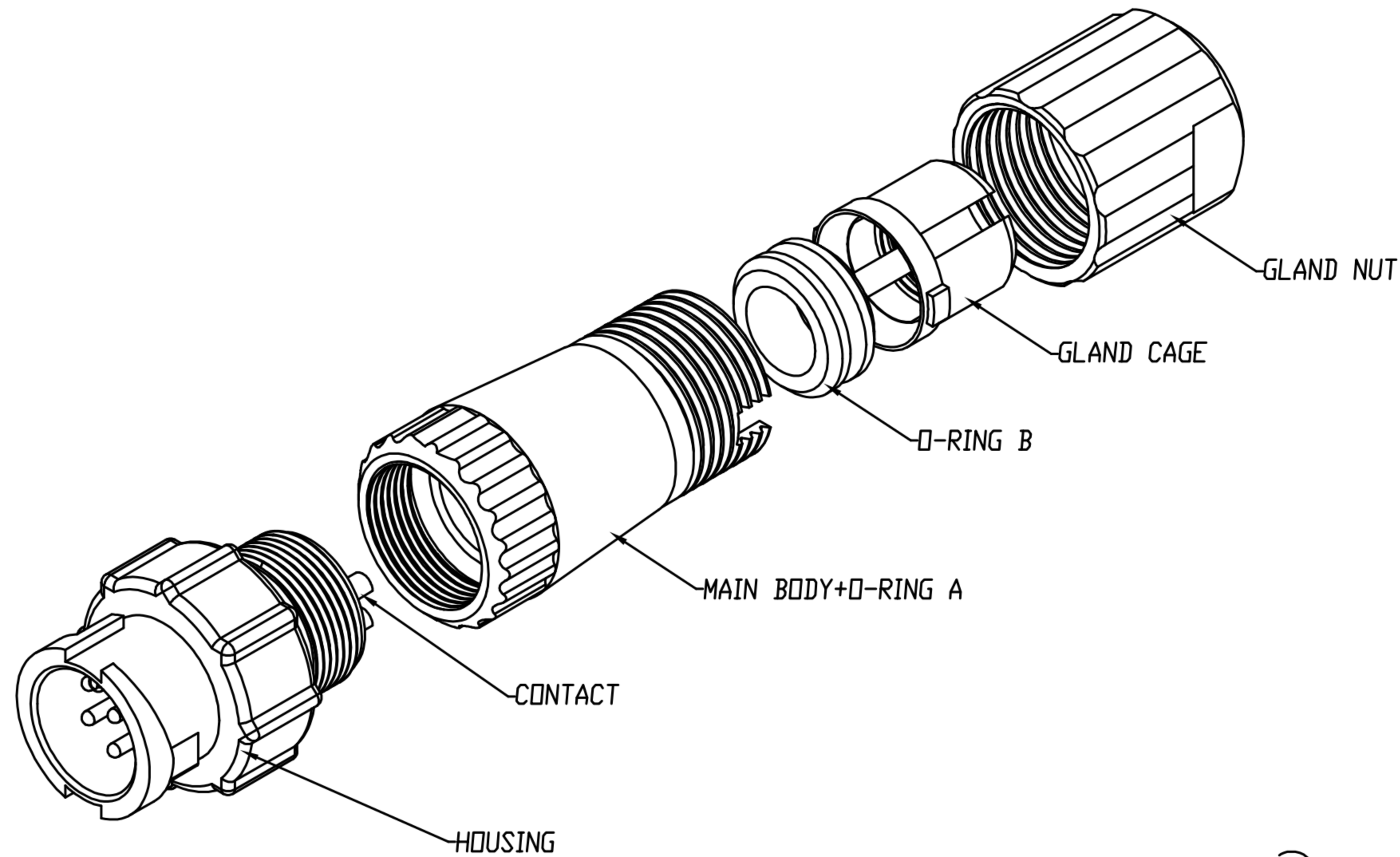
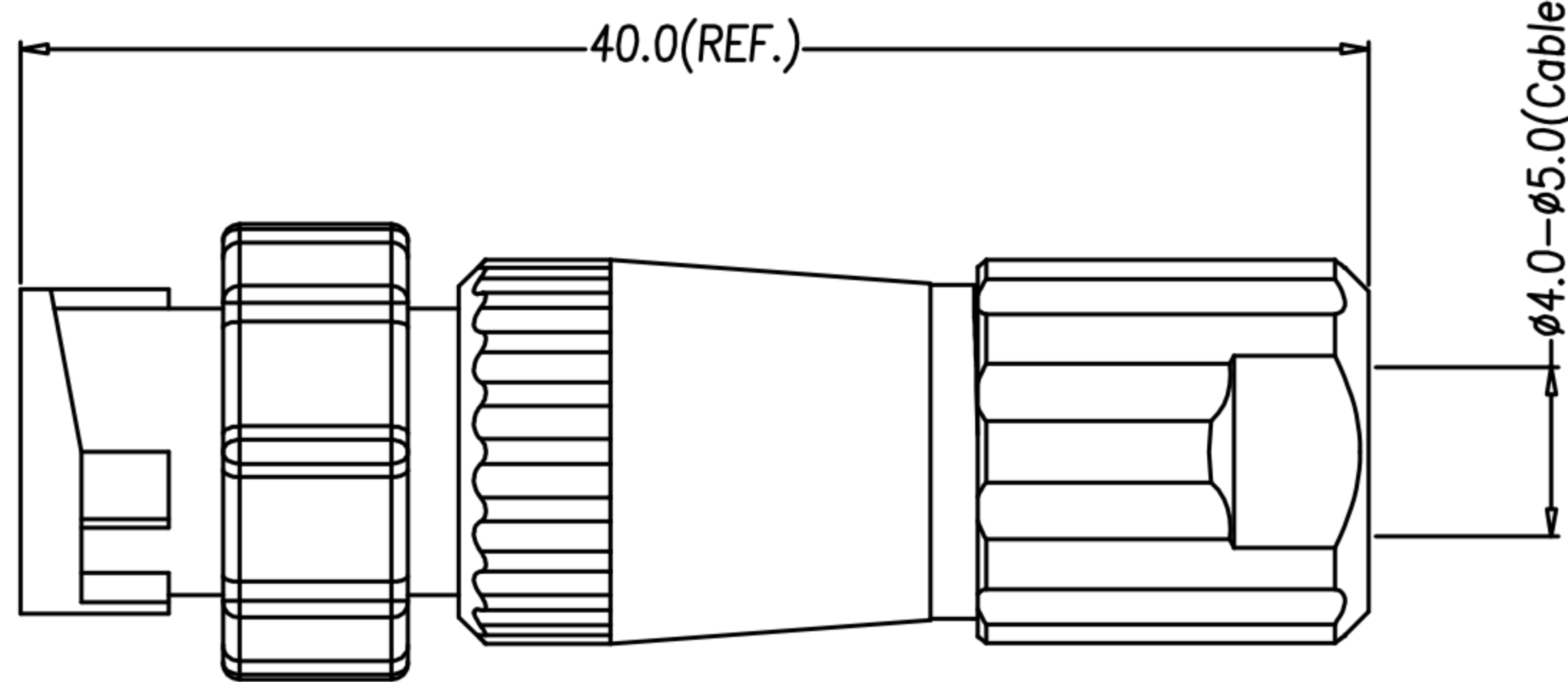


TABLE A

4 PIN	5 PIN	6 PIN
WP-04M2-169-11	WP-05M2-135-11	WP-06M2-65-11

PIN ASSIGMENTS
FRONT VIEW



1. MATERIAL :

- 1-1. HOUSING : PA66
- 1-2. CONTACT : BRASS
- 1-3. MAIN BODY : PA66
- 1-4. O-RING A : EPDM
- 1-5. O-RING B : NBR
- 1-6. GLAND CAGE : PA66
- 1-7. GLAND NUT : PA66

2. FINISH :

- 2-1. CONTACT : GOLD FLASH PLATED.

3. ELECTRICAL SPECIFICATION :

- 3-1. Rated current : 2A
- 3-2. Rated voltage : 250V
- 3-3. Water proof : IP67

4. Environmental :

- 4-1. Operation Temperature : $-20^{\circ}\text{C}\sim 80^{\circ}\text{C}$

DRAWN	Emily Suen	APP'D	Ku Chou	UNIT	mm	TOLERANCE			TITLE	WP A SIZE M CONN M PIN (LOCK BAYONET) ASSEMBLY TYPE			SHEET	
CHK'D	Ku Chou			SCALE	1:1	.x ±0.20 .xx ±0.10 .xxx ±0.05 .xxxx ±0.03 ANGULA ±1°			PART NO.	SEE TABLE A	DWG NO.	QC8944	VERSION	