

CUSTOMER DRAWING

TABLE A

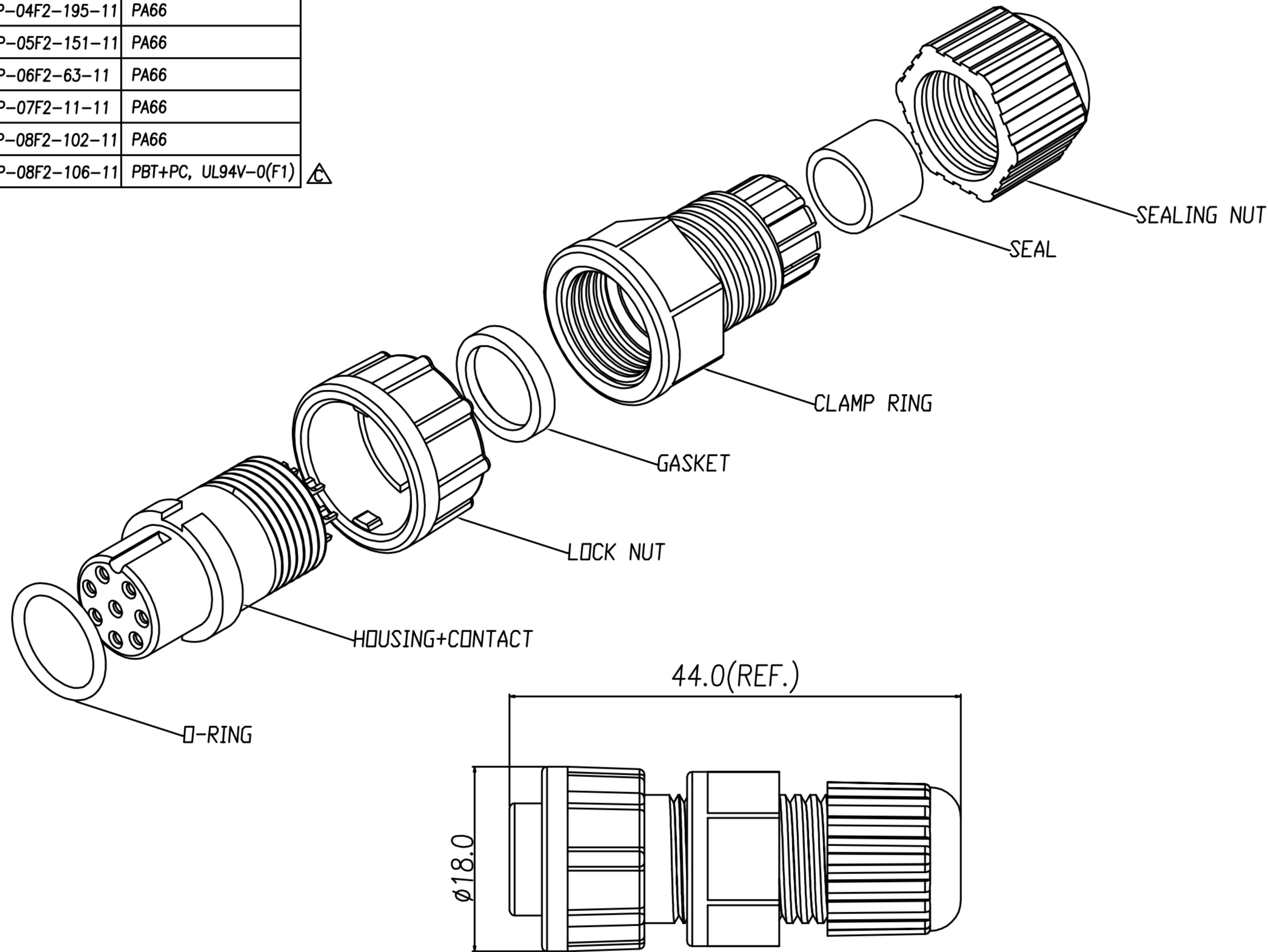
| P/N | MATERIAL(CLAMP RING) |
|----------------|----------------------|
| WP-02F2-55-11 | PA66 |
| WP-03F2-97-11 | PA66 |
| WP-04F2-195-11 | PA66 |
| WP-05F2-151-11 | PA66 |
| WP-06F2-63-11 | PA66 |
| WP-07F2-11-11 | PA66 |
| WP-08F2-102-11 | PA66 |
| WP-08F2-106-11 | PBT+PC, UL94V-0(F1) |

| REV. | DESCRIPTION | APPROVED BY | DATE | ECN NO. |
|------|----------------------------|-------------|-----------|---------|
| | RELEASE | Ku Chou | 20/07/18* | |
| | CHANGE CLAMP RING MATERIAL | Ku Chou | 31/10/18* | |
| | ADD P/N | Ku Chou | 11/12/18* | |

TABLE A

| | | | |
|---------------|---------------|----------------|----------------|
| | | | |
| 6 PIN | 7 PIN | WP-08F2-102-11 | |
| WP-06F2-63-11 | WP-07F2-11-11 | WP-08F2-106-11 | |
| | | | |
| 2 PIN | 3 PIN | 4 PIN | 5 PIN |
| WP-02F2-55-11 | WP-03F2-97-11 | WP-04F2-195-11 | WP-05F2-151-11 |

PIN ASSIGNMENTS FRONT VIEW



- MATERIAL :
 - 1-1. HOUSING : PA66
 - 1-2. CONTACT : BRASS
 - 1-3. O-RING : SILICONE
 - 1-4. LOCK NUT : PA66
 - 1-5. GASKET : SILICONE
 - 1-6. CLAMP RING : SEE TABLE A
 - 1-7. SEAL : SILICONE
 - 1-8. SEALING NUT : PA66
- FINISH :
 - 2-1. CONTACT : GOLD FLASH PLATED.
- ELECTRICAL SPECIFICATION :
 - 3-1. Rated current : 5A
 - 3-2. Rated voltage : 250V
 - 3-3. Water proof : IP67
- Environmental :
 - 4-1. Operation Temperature : -40℃~105℃

| | | | | | | | | | | | | | | |
|-------|------------|-------|---------|-------|-----|--|--|--|----------|--|---------|--------|-------|-------------------|
| DRAWN | Emily Suen | APP'D | Ku Chou | UNIT | mm | TOLERANCE | | 广东科斯达电子科技有限公司 GUANG DONG KE SI DA ELECTRONIC TECHNOLOGY CO., LTD. | TITLE | WP (F) (LOCK) B SIZE ASSEMBLY TYPE(5A) | | | SHEET | 1 VERSION C |
| CHK'D | Ku Chou | | | SCALE | 1:1 | .x ±0.20 .xx ±0.10 .xxx ±0.05 .xxxx ±0.03 ANGULA ±1° | | | PART NO. | SEE TABLE A | DWG NO. | QC8635 | | |