

CUSTOMER DRAWING

REV.	DESCRIPTION	APPROVED BY	DATE	ECN NO.
A	RELEASE	Ku Chou	13/03/19'	
B				
C				

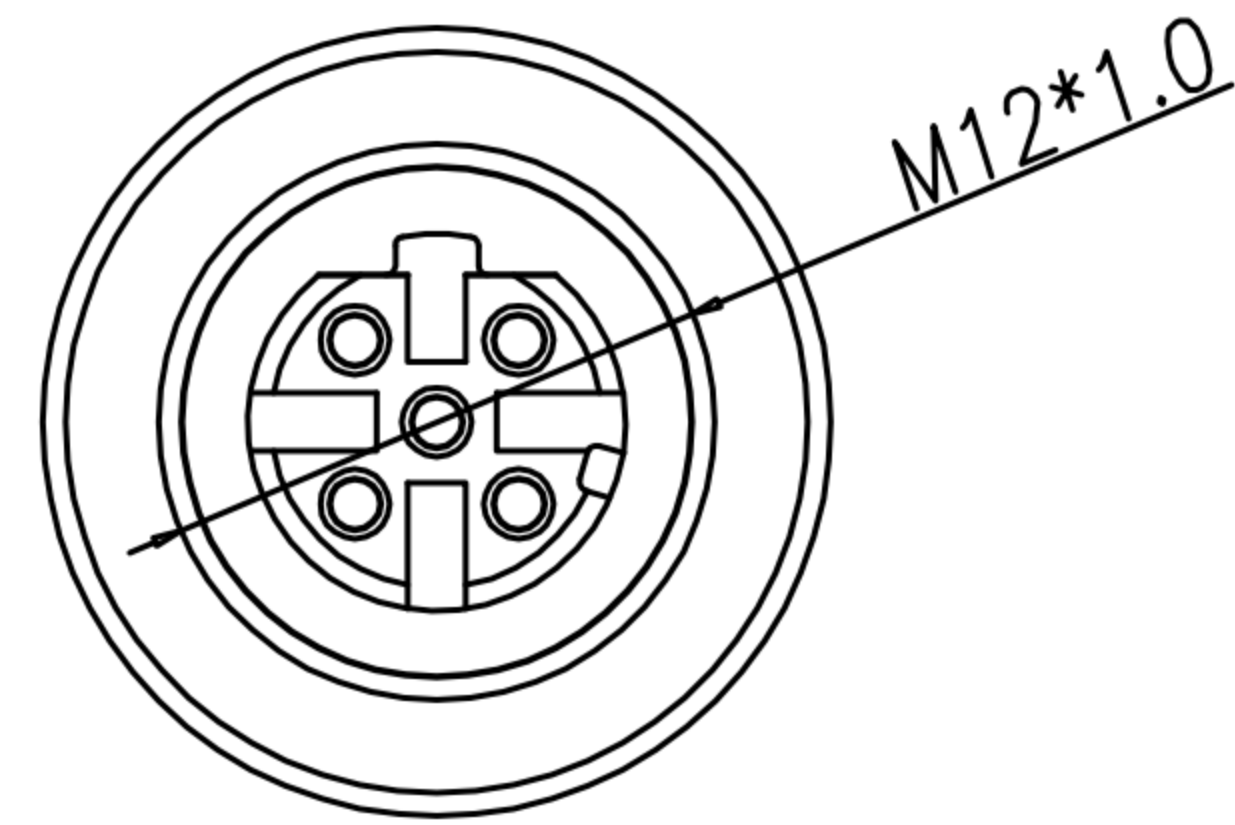
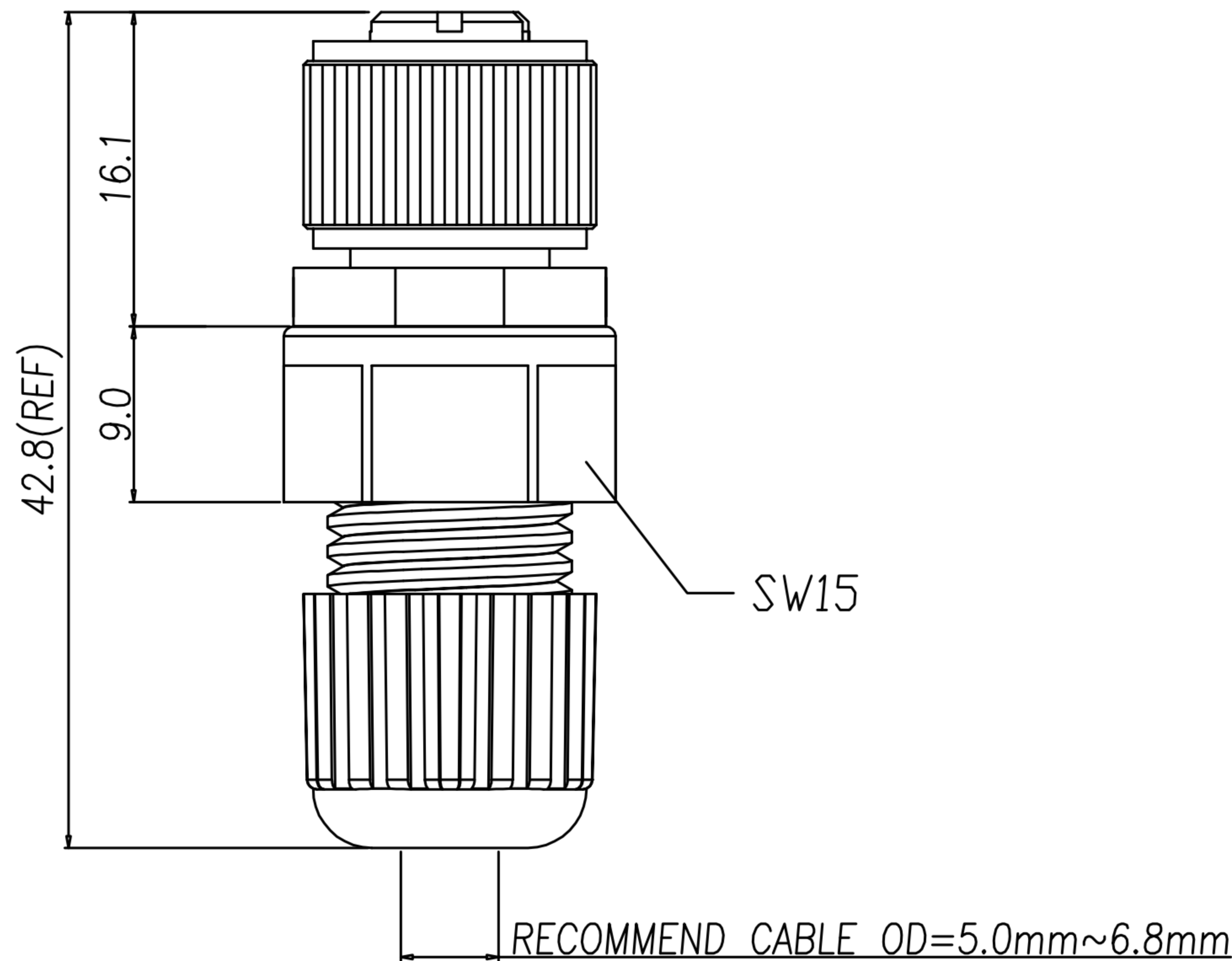


TABLE A

WP-05F2-183-11	WP-04F2-238-11



- MATERIAL :
  - 1-1. HOUSING : PBT UL94V-0 ; COLOR : BLACK.
  - 1-2. CONTACT : BRASS
  - 1-3. SHELL : BRASS
  - 1-4. O-RING : EPDM
  - 1-5. NUT : ALUMINUM ALLOY
  - 1-6. GASKET : SILICONE
  - 1-7. CLAMP RING : PA66
  - 1-8. SEAL : SILICONE
  - 1-9. SEALING NUT : PA66
- FINISH :
  - 2-1. CONTACT : GOLD FLASH PLATED.
  - 2-2. NUT : NICKEL PLATED.
  - 2-3. SHELL : NICKEL PLATED.
- ELECTRICAL SPECIFICATION :
  - 3-1. Rated current : 4A
  - 3-2. Rated voltage : 250V
  - 3-3. Water proof : IP67
- Environmental :
  - 4-1. Operation Temperature : -40℃~105℃

DRAWN	Emily Suen	APP'D	Ku Chou	UNIT	mm	TOLERANCE		广东科斯达电子科技有限公司 GUANG DONG KE SI DA ELECTRONIC TECHNOLOGY CO., LTD.	TITLE	M12 (F) D-coded Assembly type(塑膠本體)			SHEET	
CHK'D	Ku Chou			SCALE	1:1	.x ±0.20 .xx ±0.10 .xxx ±0.05 .xxxx ±0.03 ANGULA ±1°			PART NO.	SEE TABLE A	DWG NO.	QC9337	VERSION	