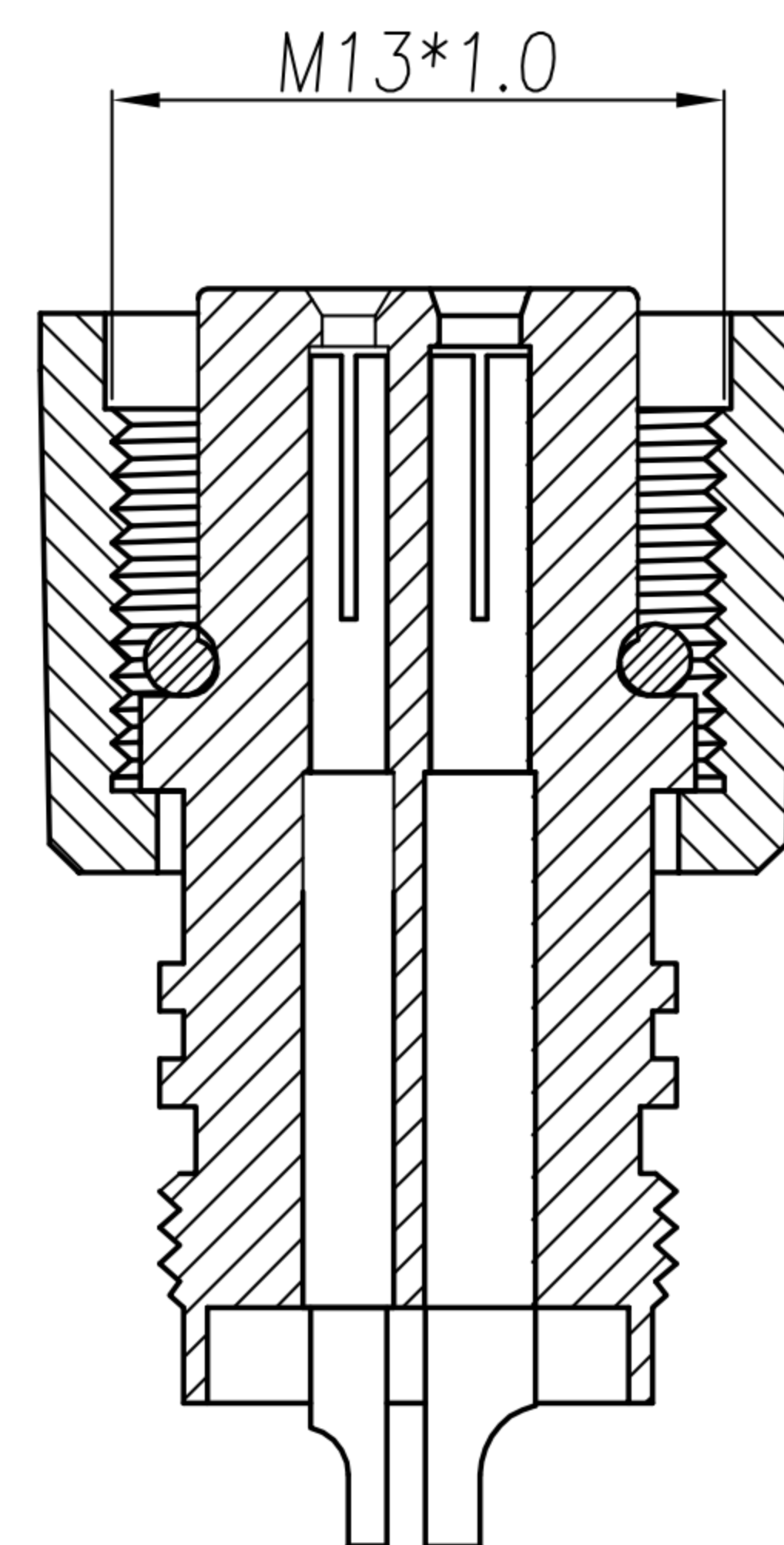
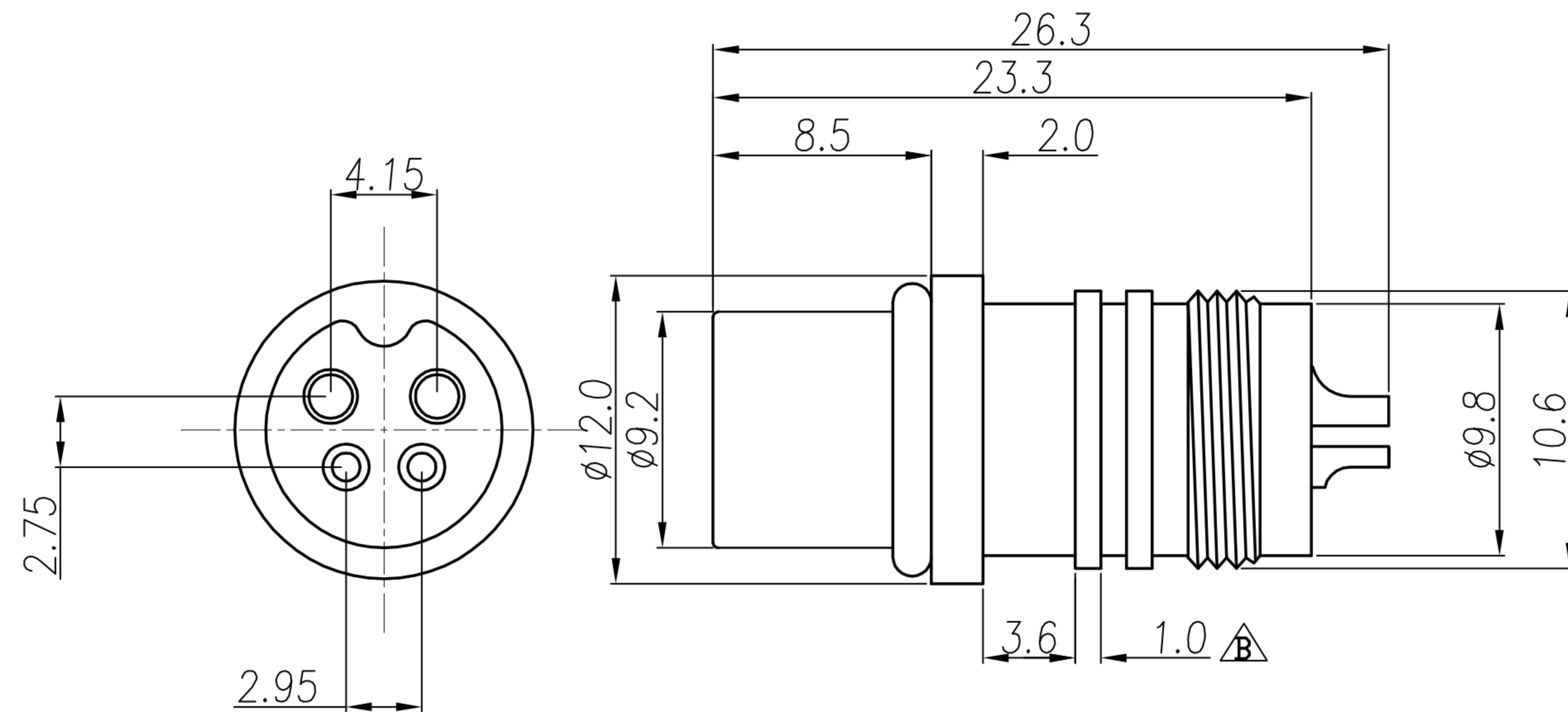


CUSTOMER DRAWING

REV.	DESCRIPTION	APPROVED BY	DATE	ECN NO.
△A	RELEASE	Fido Weng	07/05/12'	
△B	外觀&材質設變	Fido Weng	11/12/12'	ECN13007
△C				



- MATERIAL :
 - 1-1. HOUSING : PBT ; COLOR : SEE TABLE A △B
 - 1-2. CONTACT : BRASS.
 - 1-3. NUT : SEE TABLE A.
 - 1-4. O-RING : SILCON ; COLOR : BLACK.
- FINISH :
 - 2-1. CONTACT : SEE TABLE A
 - 2-2. NUT : SEE TABLE A
- ELECTRICAL SPECIFICATION :
 - 3-1. Rated current : 10A & 3A
 - 3-2. Rated Voltage : 125V
 - 3-3. Water proof : IP67
- Environmental :
 - 4-1. Operation Temperature : -20℃~85℃

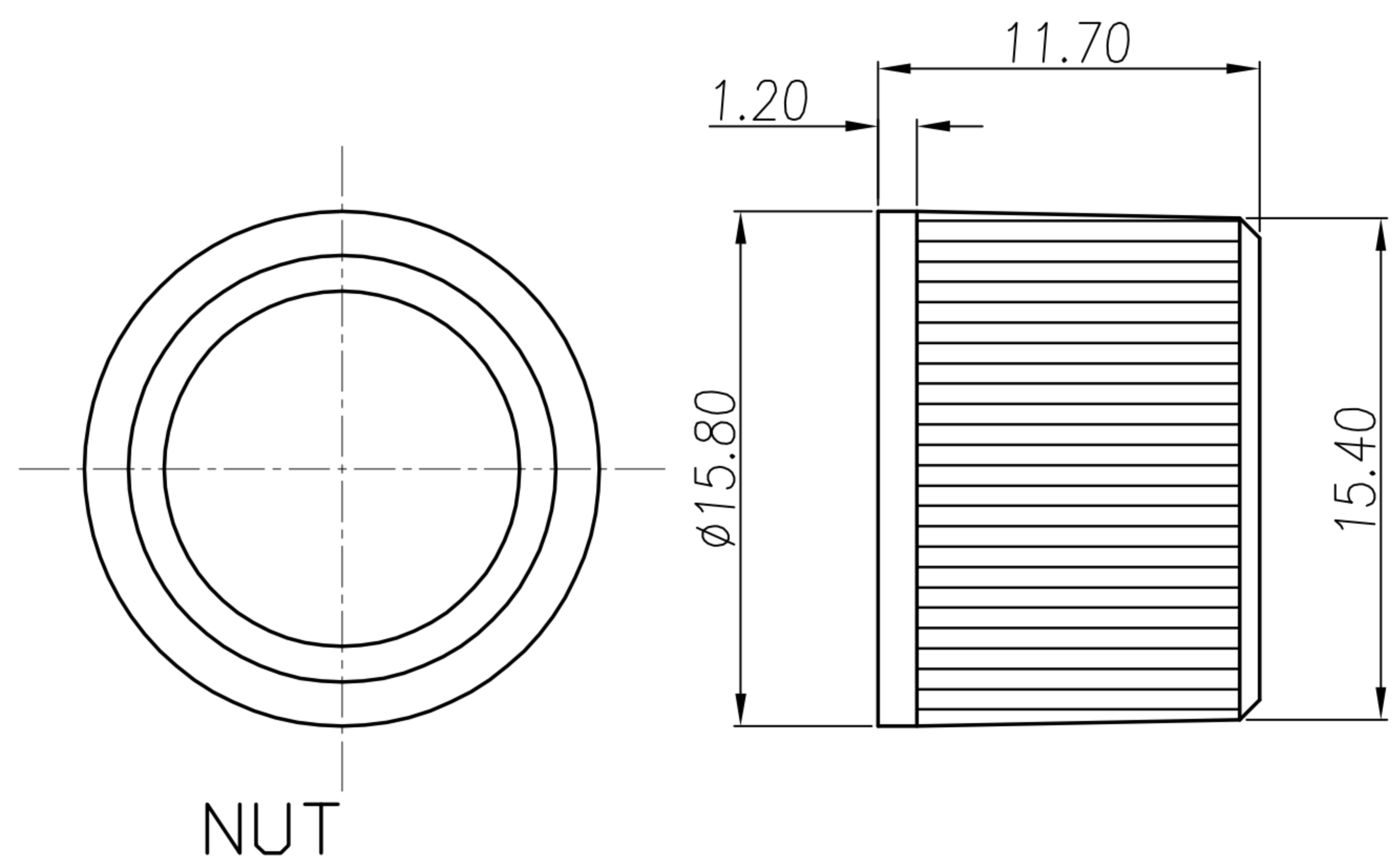


TABLE A/表A

WP-04F2-170-11	PA66	GOLD FLASH		BLACK	BLACK
WP-04F2-90	BRASS	GOLD FLASH	NICKEL PLATED		WHITE
WP-04F2-91	BRASS	NICKEL PLATED	NICKEL PLATED		WHITE
WP-04F2-92	PA66	GOLD FLASH		WHITE	WHITE
WP-04F2-93	PA66	GOLD FLASH		RED	WHITE
PART NO.	MATERIAL(NUT)	PLATED(CONTACT)	PLATED(NUT)	COLOR(NUT)	COLOR(HOUSING)