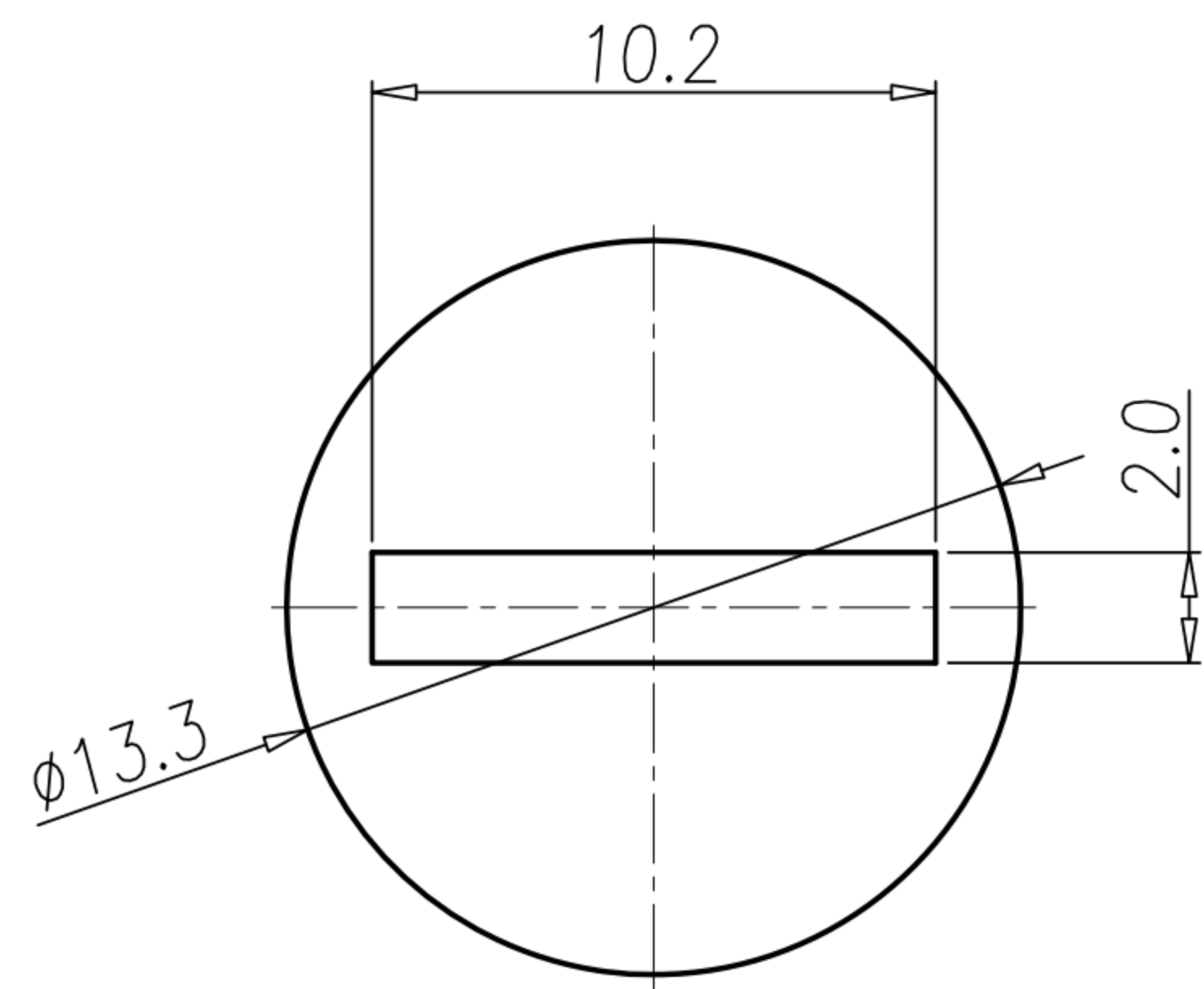


CUSTOMER DRAWING

REV.	DESCRIPTION	APPROVED BY	DATE	ECN NO.
△A	RELEASE	Fido Weng	22/12/08'	
△B	CHANGE O-RING MATERIAL	Fido Weng	27/02/09'	ECN-09016
△C	ADD P/N	Fido Weng	15/06/10'	
△D	增加防水规格	Fido Weng	02/12/16'	



- MATERIAL :
 - 1-1. HOUSING : PBT UL94V-0 ; COLOR : BLACK
 - 1-2. O-RING : SEE TABLE A ; COLOR : BLCAK
- Housing Cannot have the shrinkage, the fragments, the lack materials , and so on undesirable tendency
- The male and female spiral tooth must to turn smoothly.
- △D 4. Water proof : IP67

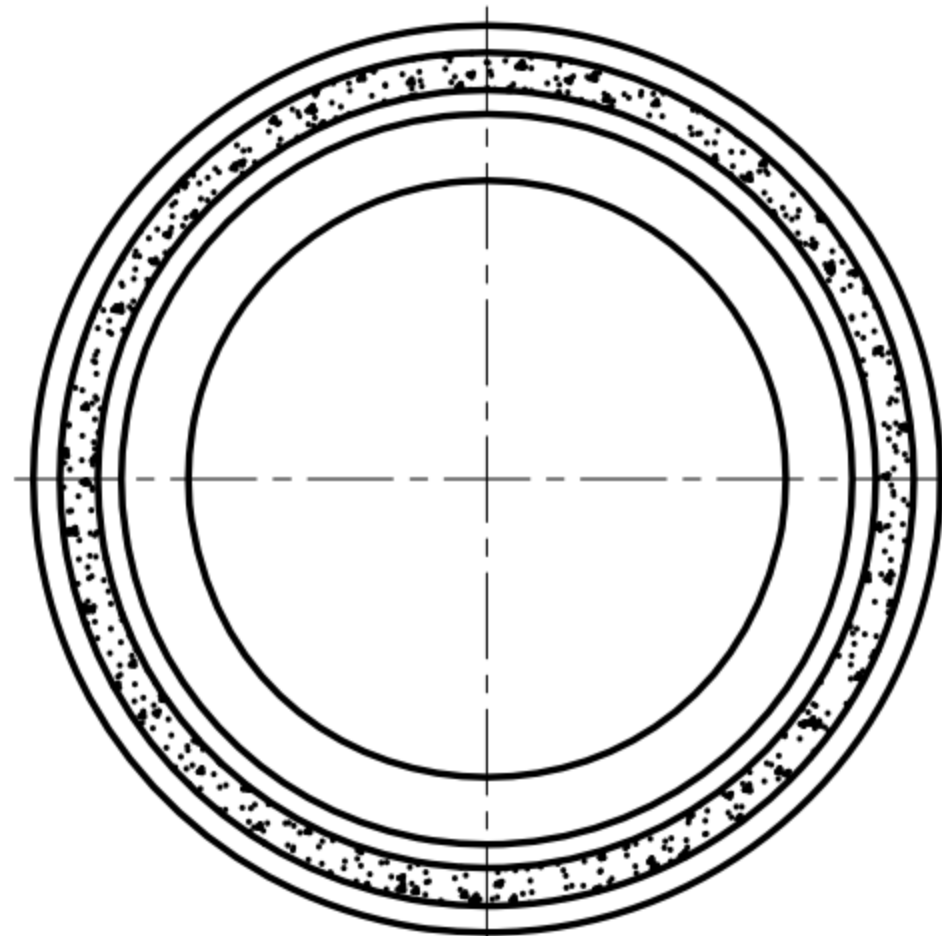
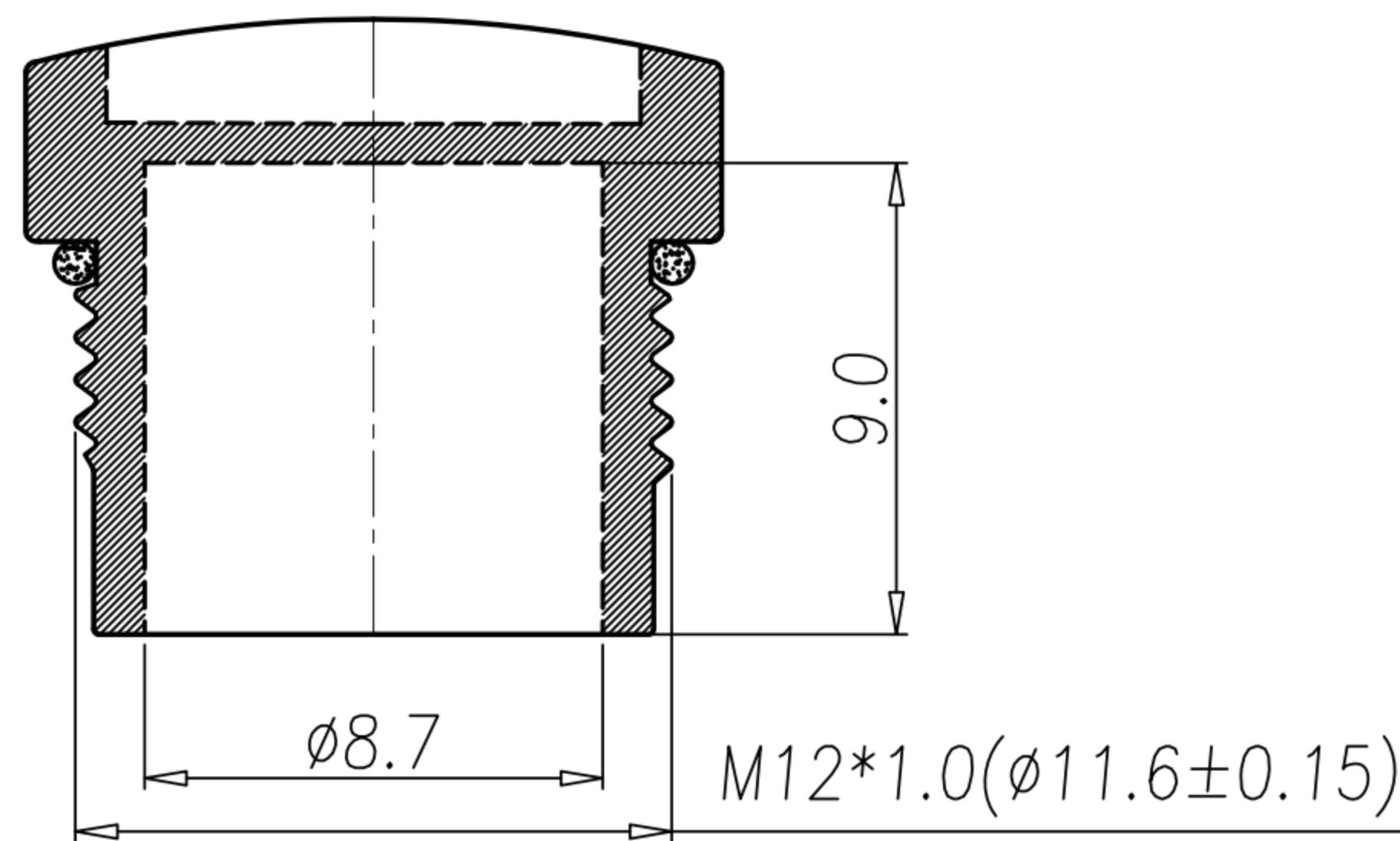
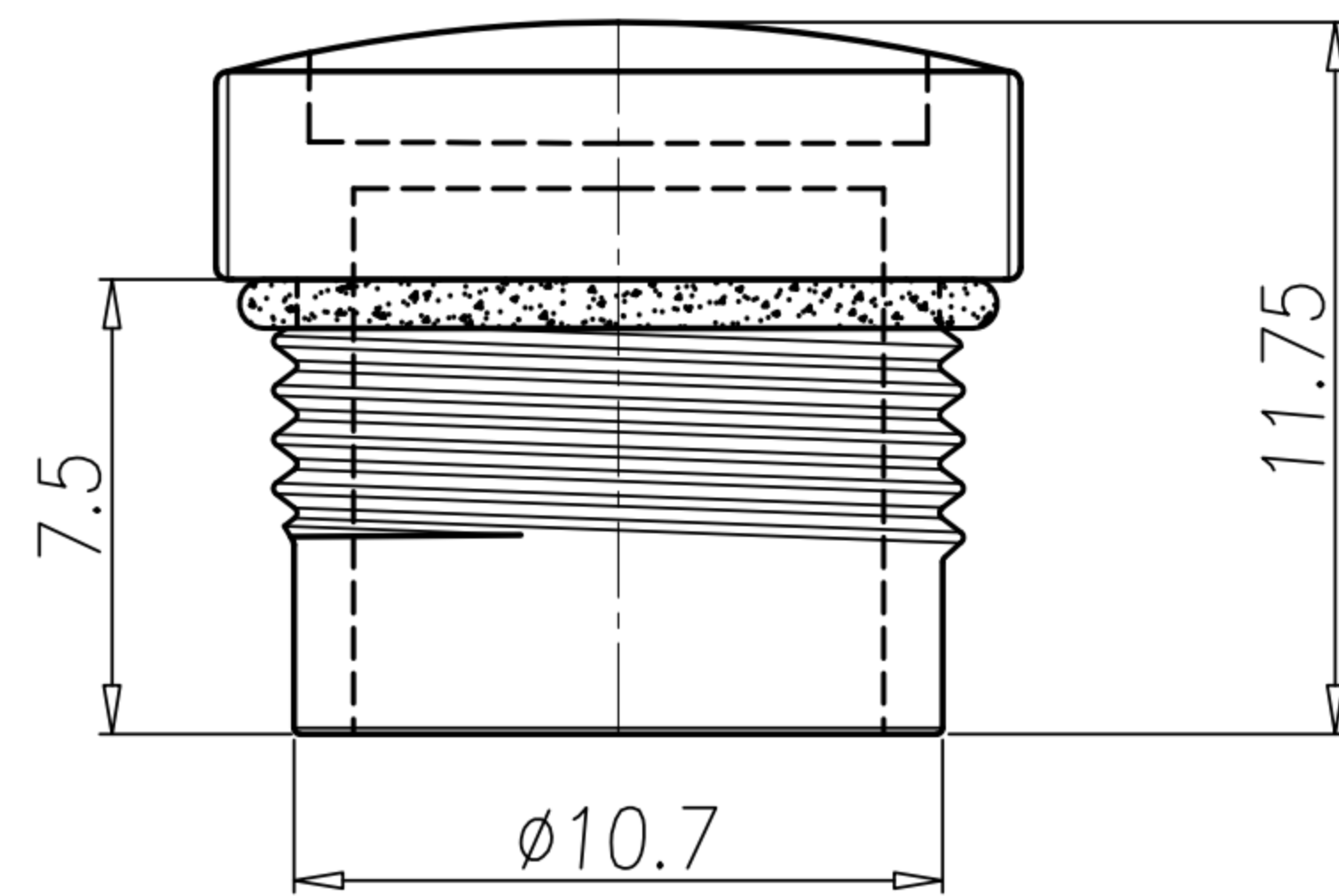


TABLE A/表A

NY-WP271	EPDM
NY-WP060	NBR

DRAWN	Ku Chou	APP'D	Emily Suen	UNIT	mm	TOLERANCE		广东科斯达电子科技有限公司 GUANG DONG KE SI DA ELECTRONIC TECHNOLOGY CO., LTD.	TITLE	WP M12 COVER(PBT)+O-ring			SHEET	D
CHK'D	Emily Suen			SCALE	1:1	.x ±0.20 .xx ±0.10 .xxx ±0.05 .xxxx ±0.03 ANGULA ±1°			PART NO.	SEE TABLE A	DWG NO.	QC1335	VERSION	