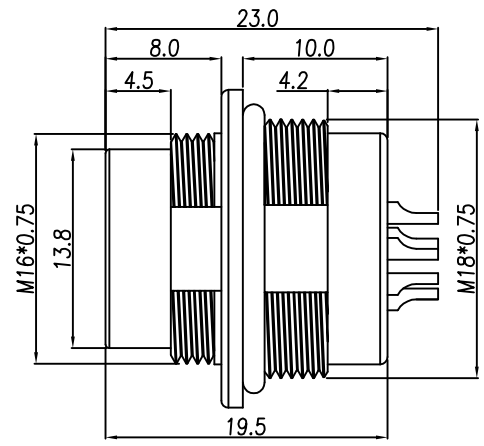
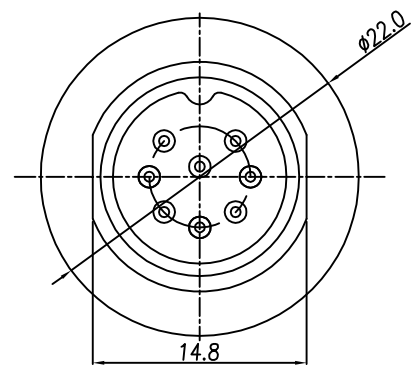


A B C D E F

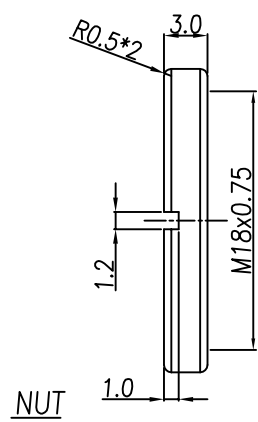
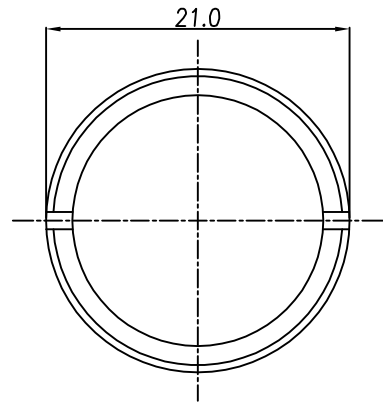
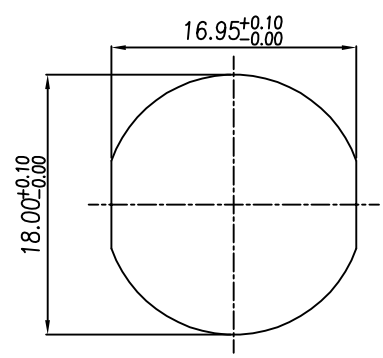
1

CUSTOMER DRAWING

REV.	DESCRIPTION	APPROVED BY	DATE	ECN NO.
A	RELEASE	LEO	10/02/23*	
B				
C				
D				



1. MATERIAL :
- 1-1. HOUSING : PA66 ; COLOR : BLACK.
 - 1-2. CONTACT : BRASS
 - 1-3. NUT : BRASS
 - 1-4. O-RING : EPDM ; COLOR : BLACK
 - 1-5. SHELL : BRASS.
2. FINISH :
- 2-1. CONTACT : GOLD FLASH MICRO INCHES MIN.
UNDER PLATE : NICKEL
 - 2-2. NUT : NICKEL PLATED
 - 2-3. SHELL : NICKEL PLATED
3. ELECTRICAL SPECIFICATION :
- 3-1. Rated current : 5A
 - 3-2. Rated Voltage : 250V
 - 3-3. Water proof: IP67
4. Environmental :
- 4-1. Operation Temperature : -40°C~85°C



RECOMMEND PANEL CUT-OUT

NUT

DI-03M2-18-11	DI-04M2-26-11	DI-05M2-27-11	DI-06M2-23-11	DI-07M2-26-11	DI-07M2-27-11	DI-08M2-25-11

DRAWN	LEO	APPEND	Emily Suen	UNIT	mm	TOLERANCE			TITLE	DIN M16 (M) 後鎖M18焊線式			SHEET	
CHK'D	Emily Suen			SCALE	1:1				PART NO.	SEE TABLE A	DWG NO.	QC10586	VERSION	

广东科斯达电子科技有限公司
GUANG DONG KE SI DA ELECTRONIC TECHNOLOGY CO., LTD.