

CUSTOMER DRAWING

| REV. | DESCRIPTION | APPROVED BY | DATE | ECN NO. |
|------|-------------|-------------|-----------|---------|
| △A | RELEASE | Ku Chou | 28/01/19' | |
| △B | | | | |
| △C | | | | |

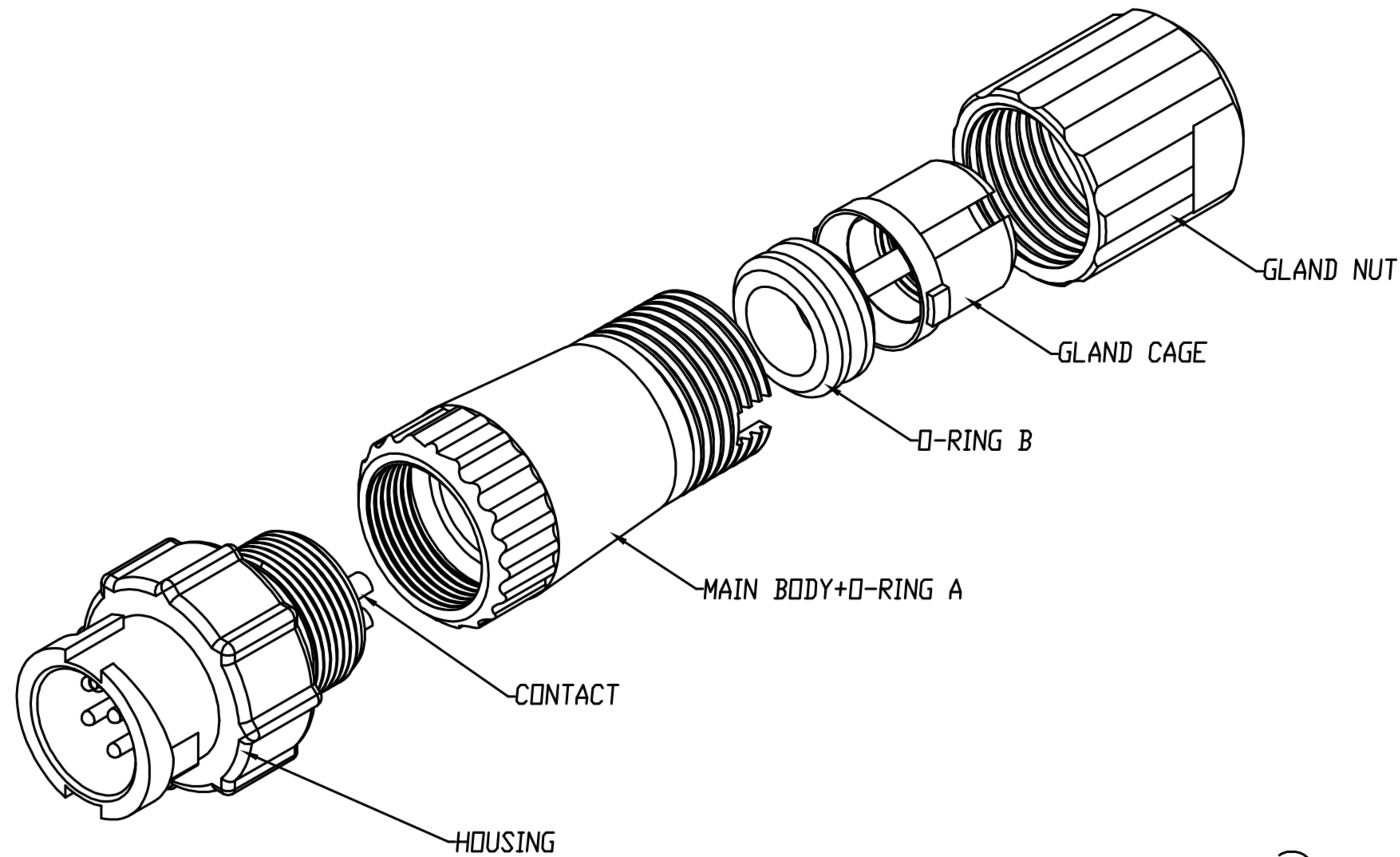
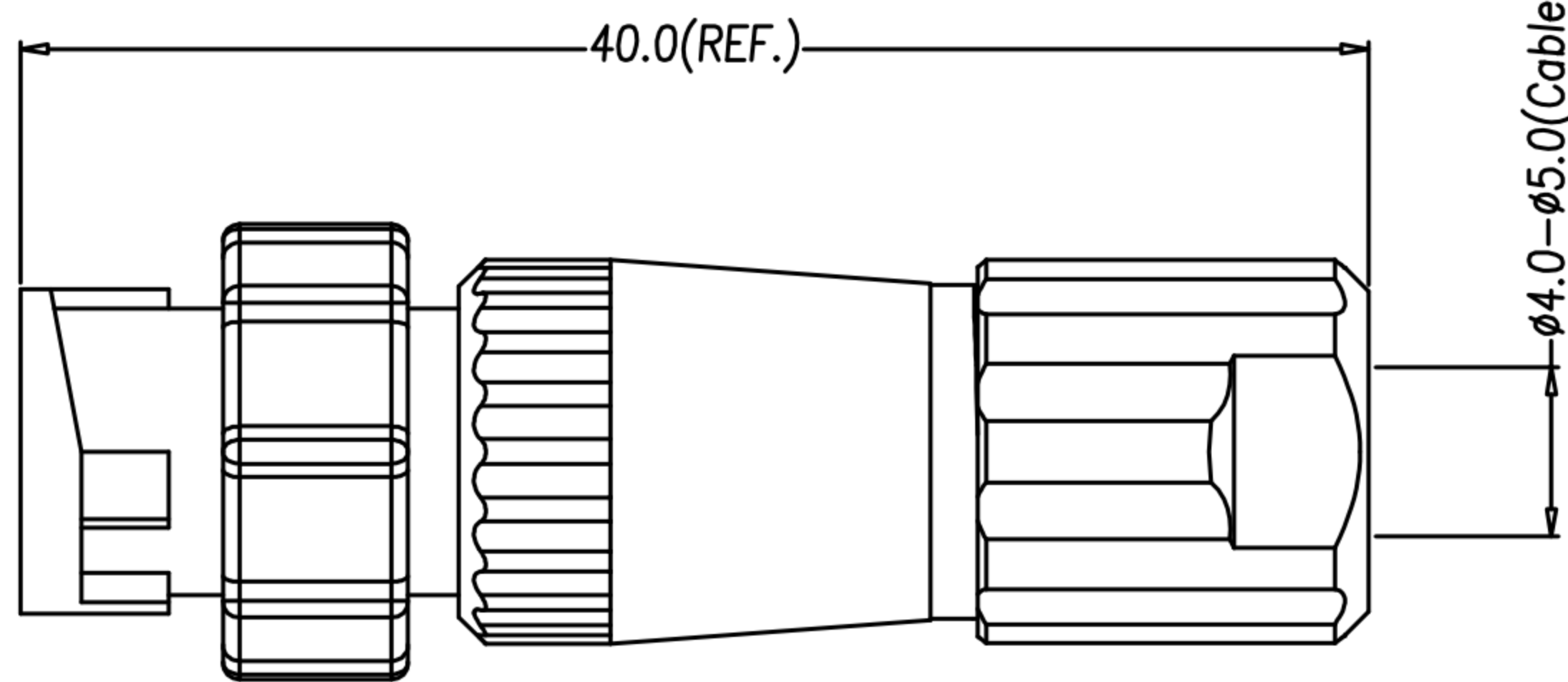


TABLE A

| | | |
|----------------|----------------|---------------|
| | | |
| 4 PIN | 5 PIN | 6 PIN |
| WP-04M2-169-11 | WP-05M2-135-11 | WP-06M2-65-11 |

PIN ASSIGMENTS
FRONT VIEW



1. MATERIAL :

- 1-1. HOUSING : PA66
- 1-2. CONTACT : BRASS
- 1-3. MAIN BODY : PA66
- 1-4. O-RING A : EPDM
- 1-5. O-RING B : NBR
- 1-6. GLAND CAGE : PA66
- 1-7. GLAND NUT : PA66

2. FINISH :

- 2-1. CONTACT : GOLD FLASH PLATED.

3. ELECTRICAL SPECIFICATION :

- 3-1. Rated current : 2A
- 3-2. Rated voltage : 250V
- 3-3. Water proof : IP67

4. Environmental :

- 4-1. Operation Temperature : $-20^{\circ}\text{C}\sim 80^{\circ}\text{C}$

| | | | | | | | | | | | | | | |
|-------|------------|-------|---------|-------|-----|--|--|--|----------|---|---------|--------|-------|-------------------|
| DRAWN | Emily Suen | APP'D | Ku Chou | UNIT | mm | TOLERANCE | | 广东科斯达电子科技有限公司 GUANG DONG KE SI DA ELECTRONIC TECHNOLOGY CO., LTD. | TITLE | WP A SIZE M CONN M PIN (LOCK BAYONET) ASSEMBLY TYPE | | | SHEET | 1 VERSION A |
| CHK'D | Ku Chou | | | SCALE | 1:1 | .x ±0.20 .xx ±0.10 .xxx ±0.05 .xxxx ±0.03 ANGULA ±1° | | | PART NO. | SEE TABLE A | DWG NO. | QC8944 | | |