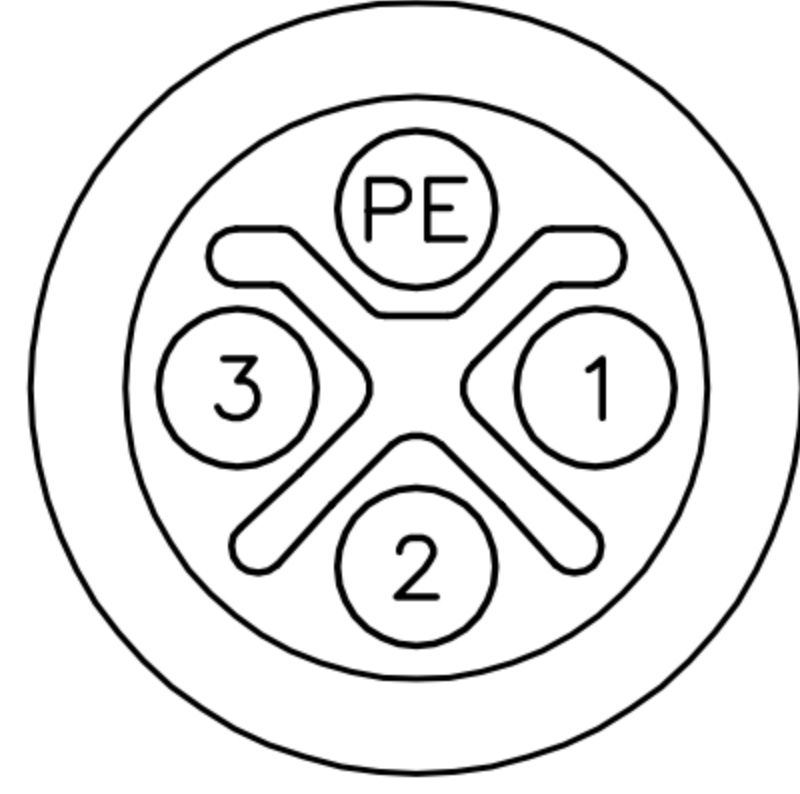
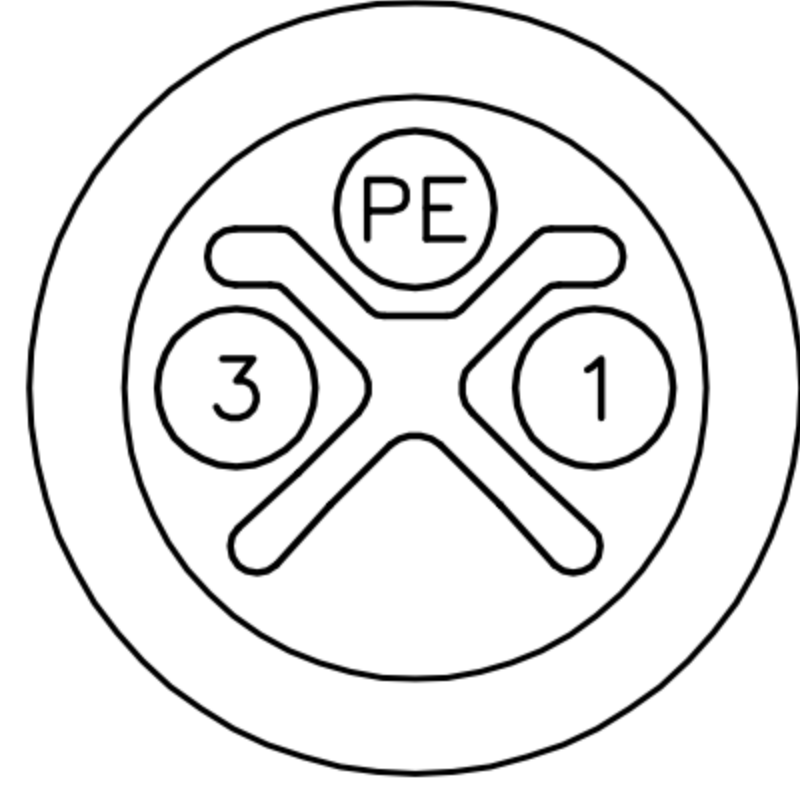


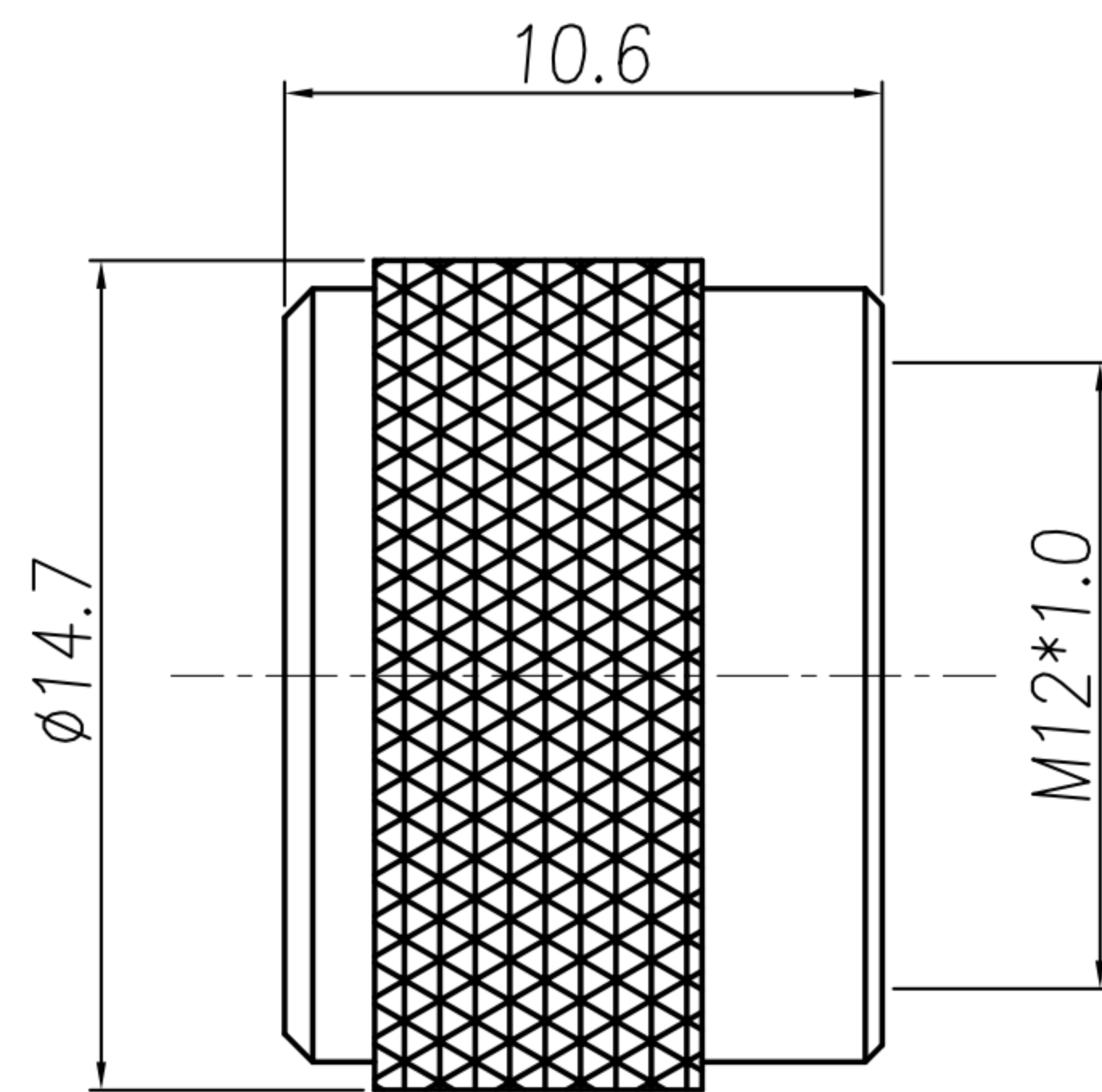
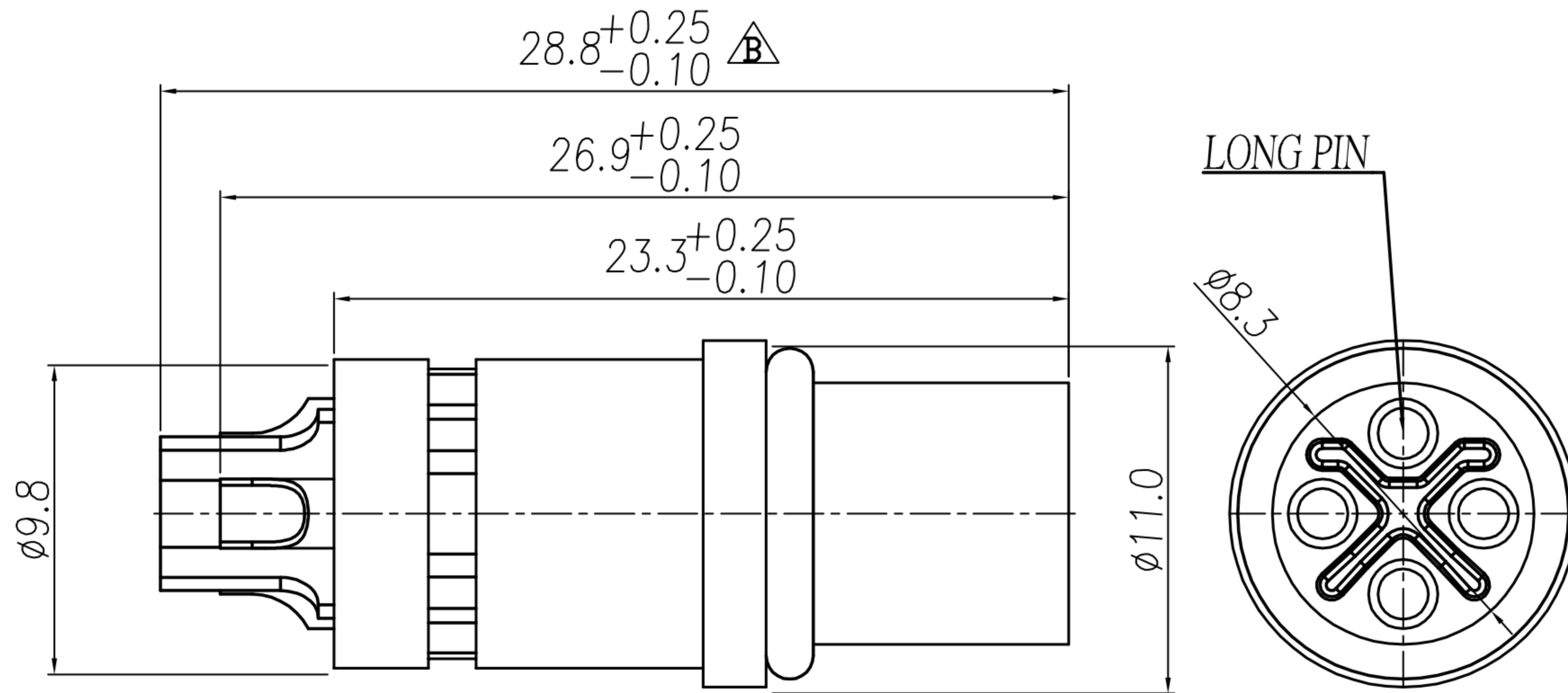
CUSTOMER DRAWING

REV.	DESCRIPTION	APPROVED BY	DATE	ECN NO.
A	RELEASE	Ku Chou	05/09/19*	
B	CHANGE DESIGN	Ku Chou	03/01/20*	
C				

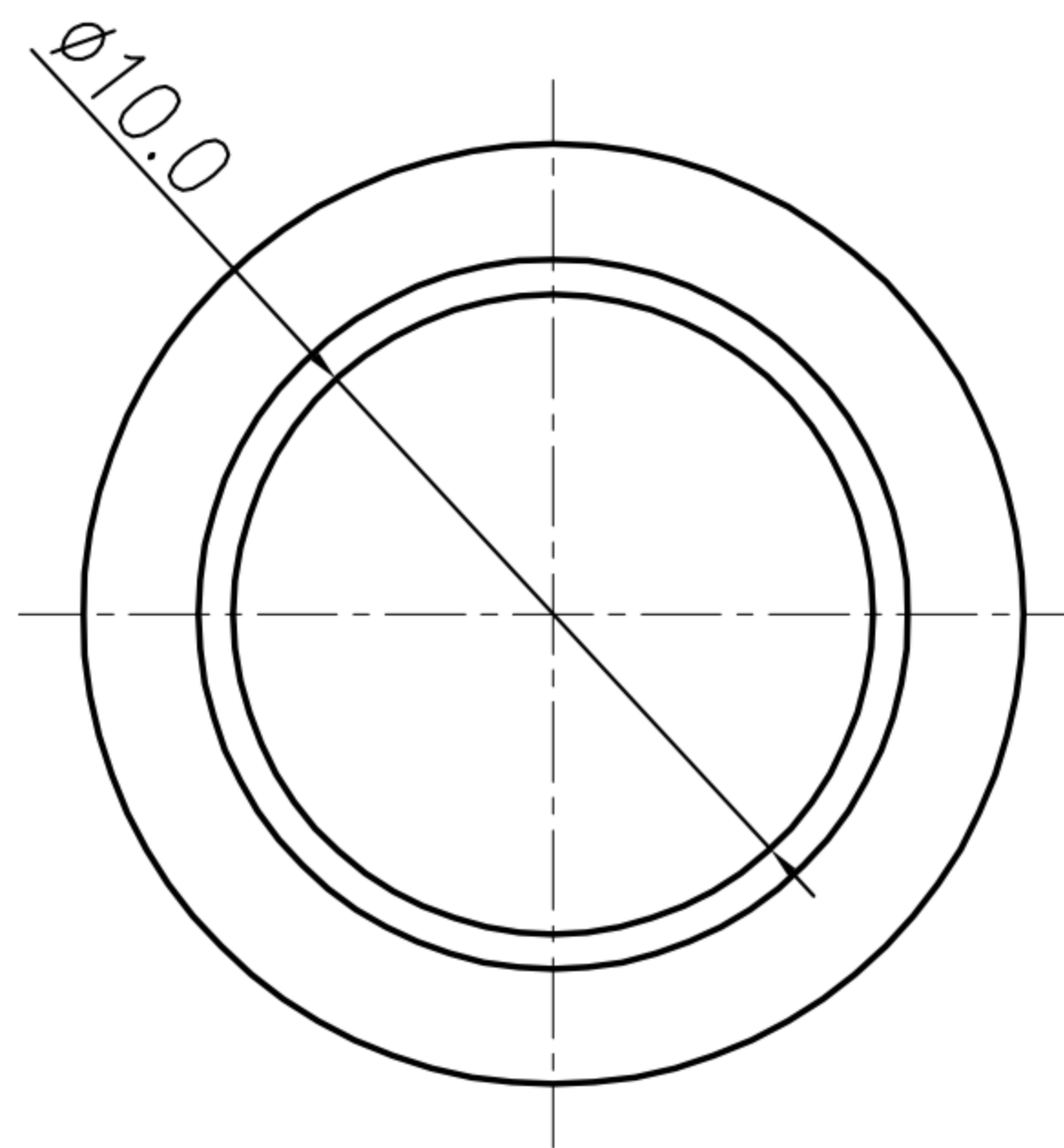
Table A

	
WP-04F2-250-11	WP-03F2-138-11

- MATERIAL :
 - 1-1. HOUSING : PA66 UL94V-0 ; COLOR : BLACK
 - 1-2. CONTACT : BRASS
 - 1-3. O-RING : EPDM
 - 1-4. NUT : BRASS
- FINISH :
 - 2-1. CONTACT : 10u" MIN. GOLD PLATED
UNDER PLATE : NICKEL
 - 2-2. NUT : NICKEL PLATED
- ELECTRICAL SPECIFICATION :
 - 3-1. Rated current : 12A
 - 3-2. Rated Voltage : 630V
 - 3-3. Water proof: IP67/68
- Environmental :
 - 4-1. Operation Temperature : -40℃~105℃



NUT



DRAWN	Emily Suen	APP'D	Ku Chou	UNIT	mm	TOLERANCE			TITLE	M12 S-CODING (F) 成形焊線式			SHEET	
CHK'D	Ku Chou			SCALE	1:1	.x ±0.20 .xx ±0.10 .xxx ±0.05 .xxxx ±0.03 ANGULA ±1°			PART NO.	SEE TABLE A	DWG NO.	QC9507	VERSION	