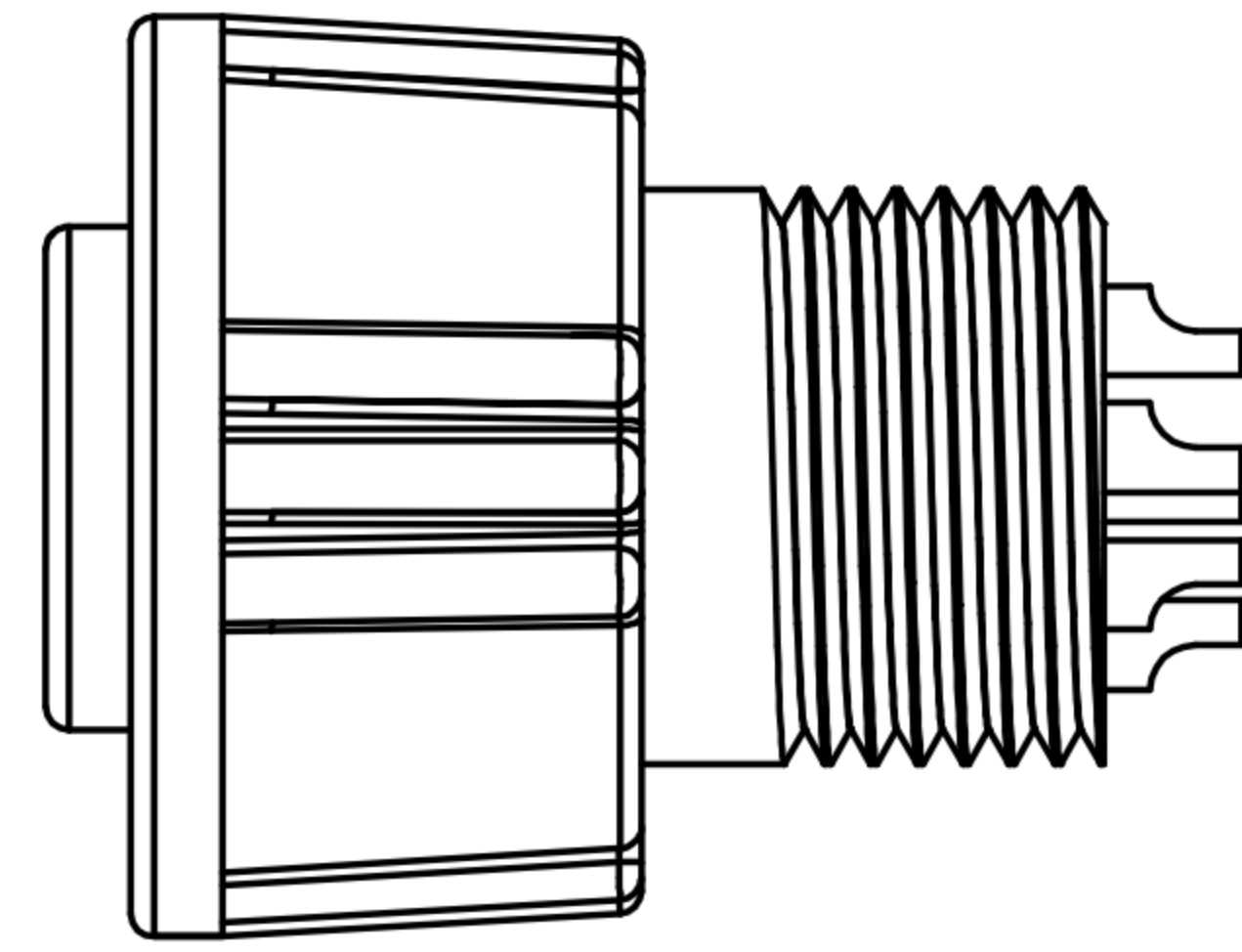
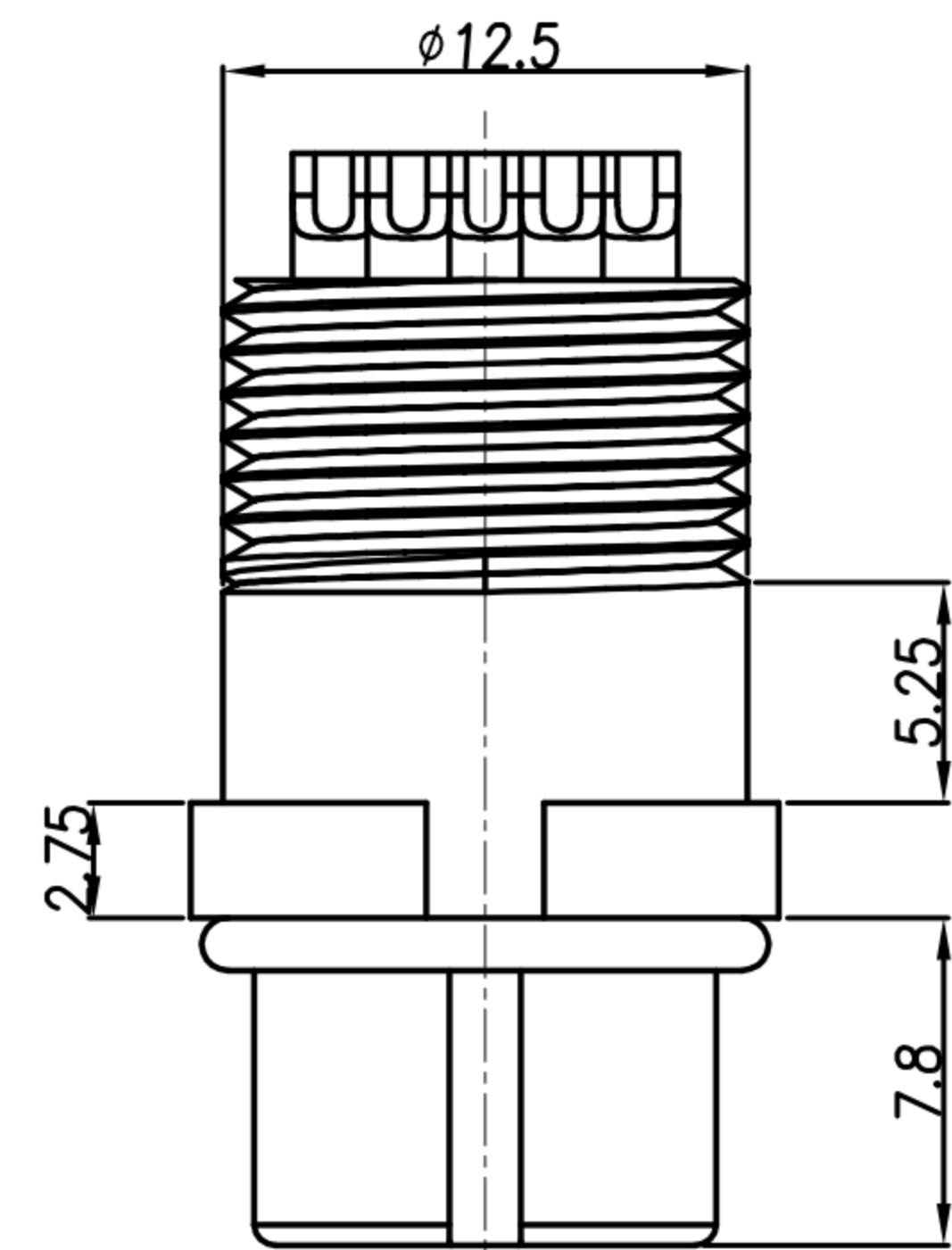


CUSTOMER DRAWING

REV.	DESCRIPTION	APPROVED BY	DATE	ECN NO.
A	RELEASE	Ku Chou	25/06/18'	
B				
C				



ASS'Y

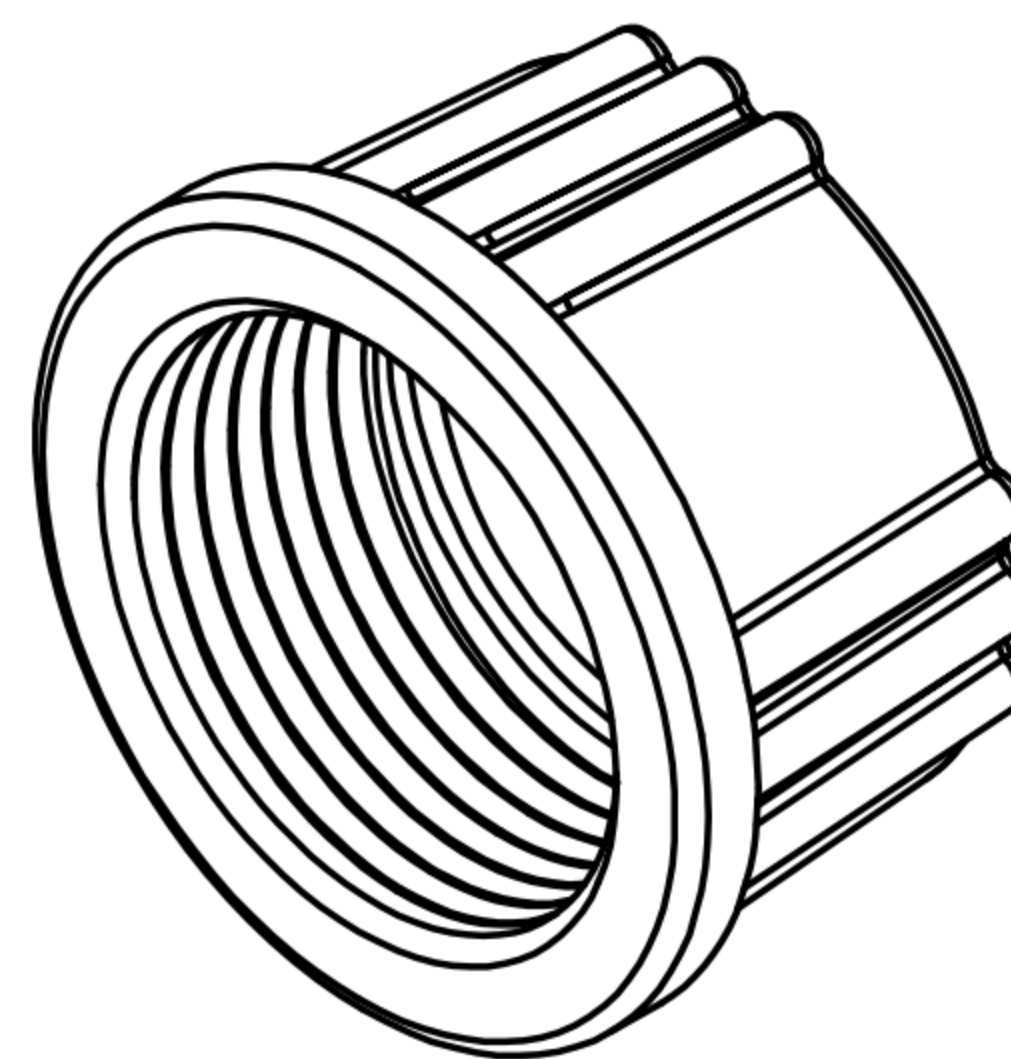
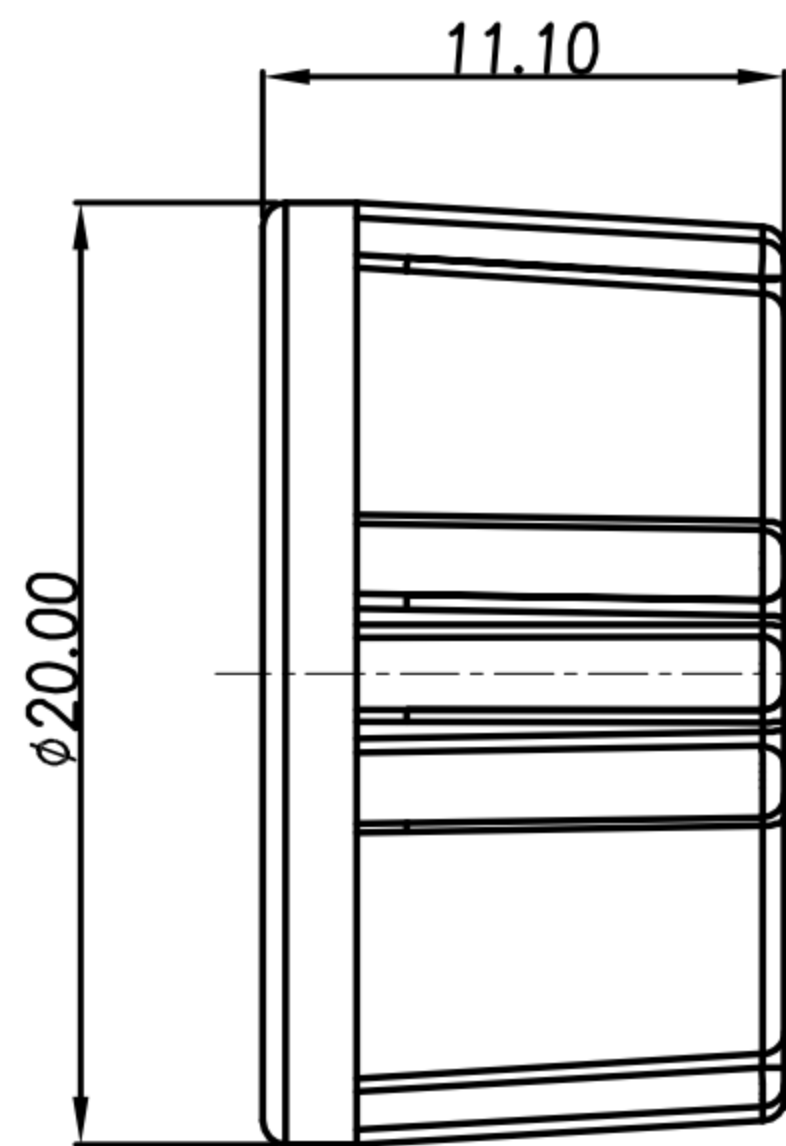
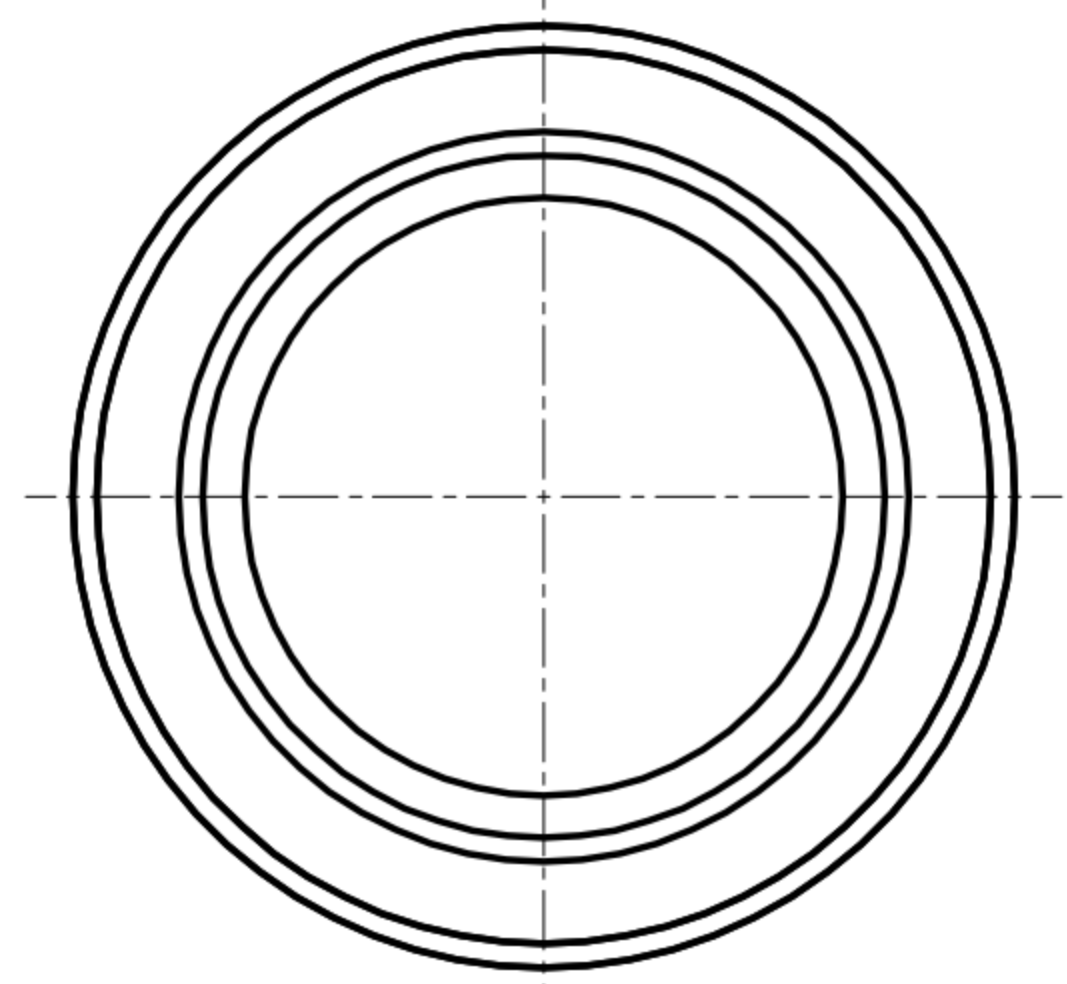
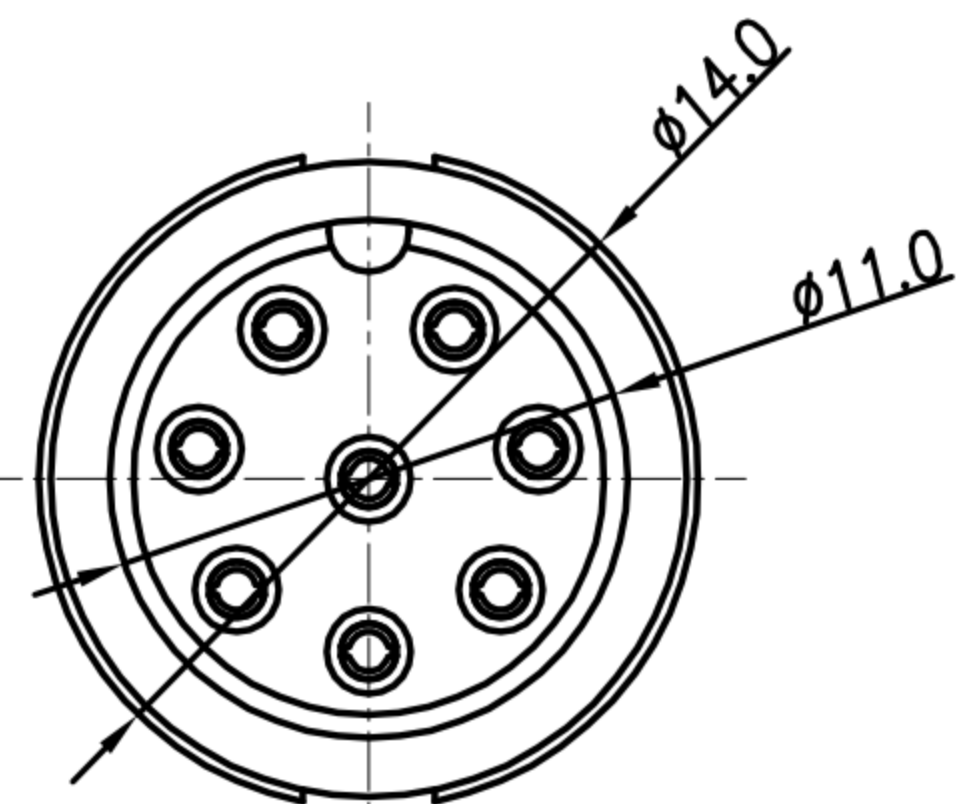
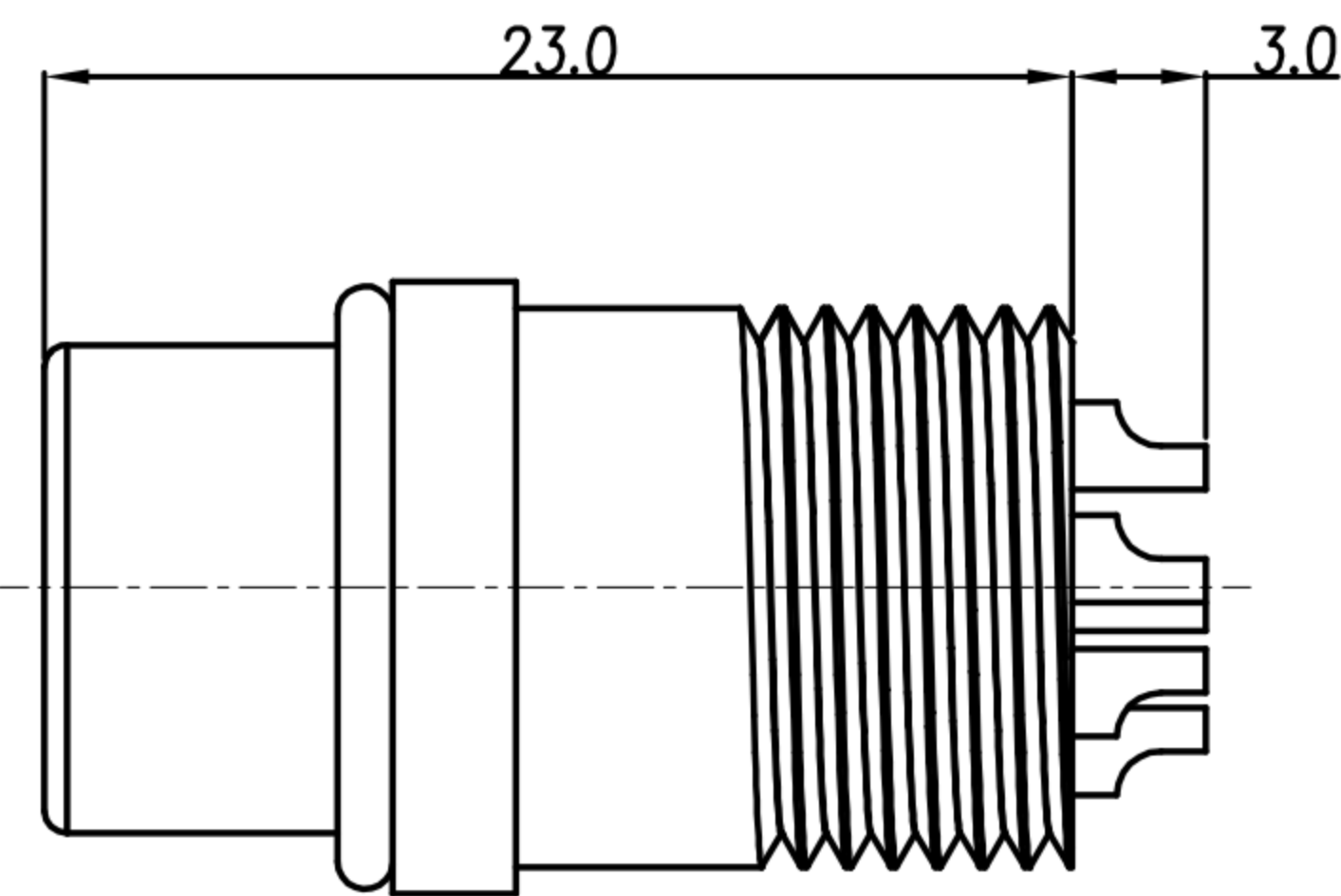


TABLE A

6 PIN	7 PIN	8 PIN		
WP-06F2-62-11	WP-07F2-09-11	WP-08F2-96-11		
2 PIN	3 PIN	4 PIN	5 PIN	
WP-02F2-51-11	WP-03F2-91-11	WP-04F2-190-11	WP-05F2-147-11	

PIN ASSIGMENTS
FRONT VIEW

- MATERIAL :
 - HOUSING : PA66
 - CONTACT : BRASS
 - O-RING : SILICONE
 - LOCK NUT : PA66
- FINISH :
 - CONTACT : GOLD FLASH PLATED.
- ELECTRICAL SPECIFICATION :
 - Rated current : 5A
 - Rated voltage : 250V
 - Water proof : IP67
- Environmental :
 - Operation Temperature : -20°C~80°C

DRAWN	Emily Suen	APP'D	Ku Chou	UNIT	mm	TOLERANCE			TITLE	WP (F) (SCREW) B SIZE 焊線式			SHEET	
CHK'D	Ku Chou			SCALE	1:1				PART NO.	SEE TABLE A	DWG NO.	QC8422	VERSION	

广东科斯达电子科技有限公司
GUANG DONG KE SI DA ELECTRONIC TECHNOLOGY CO., LTD.