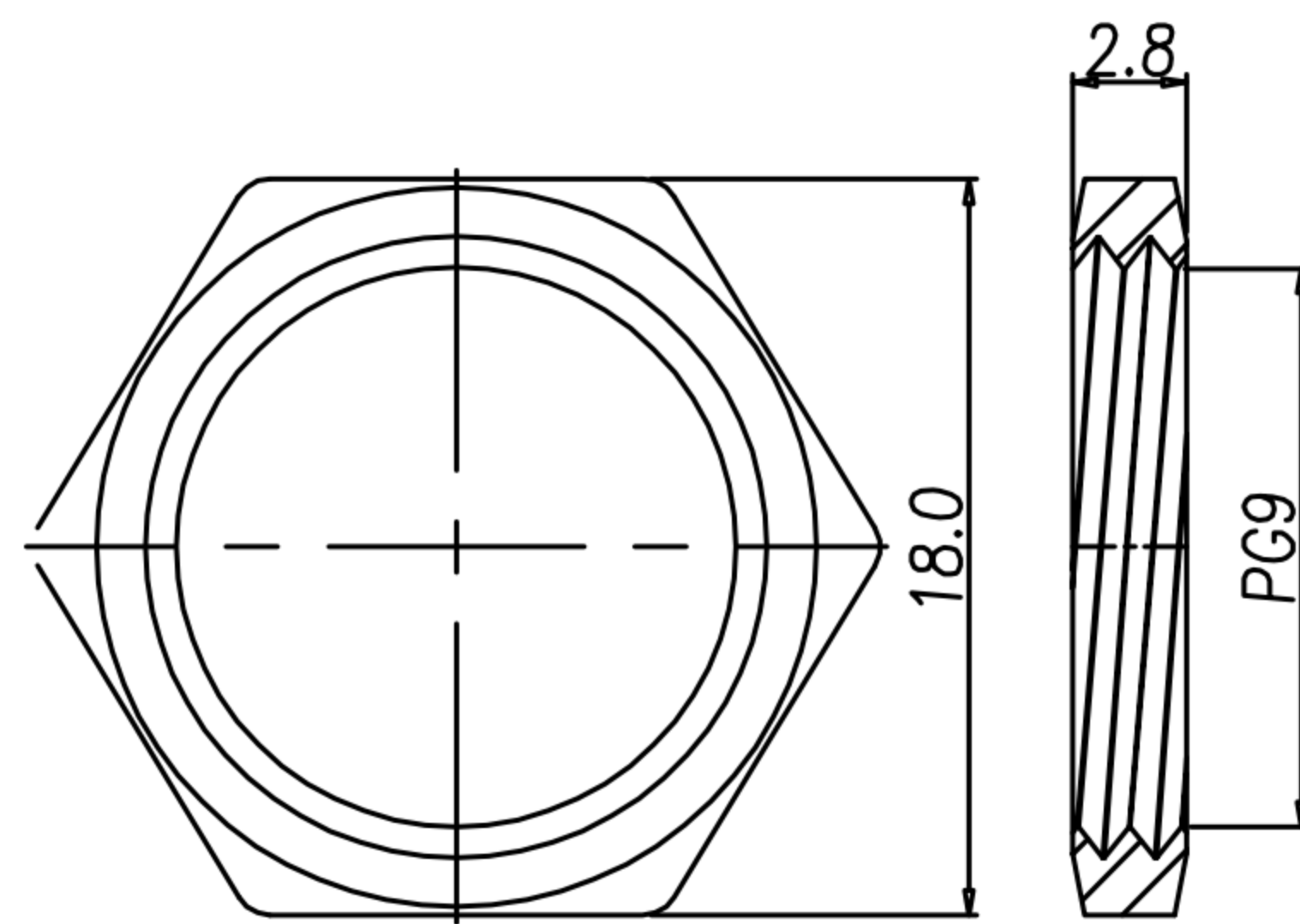
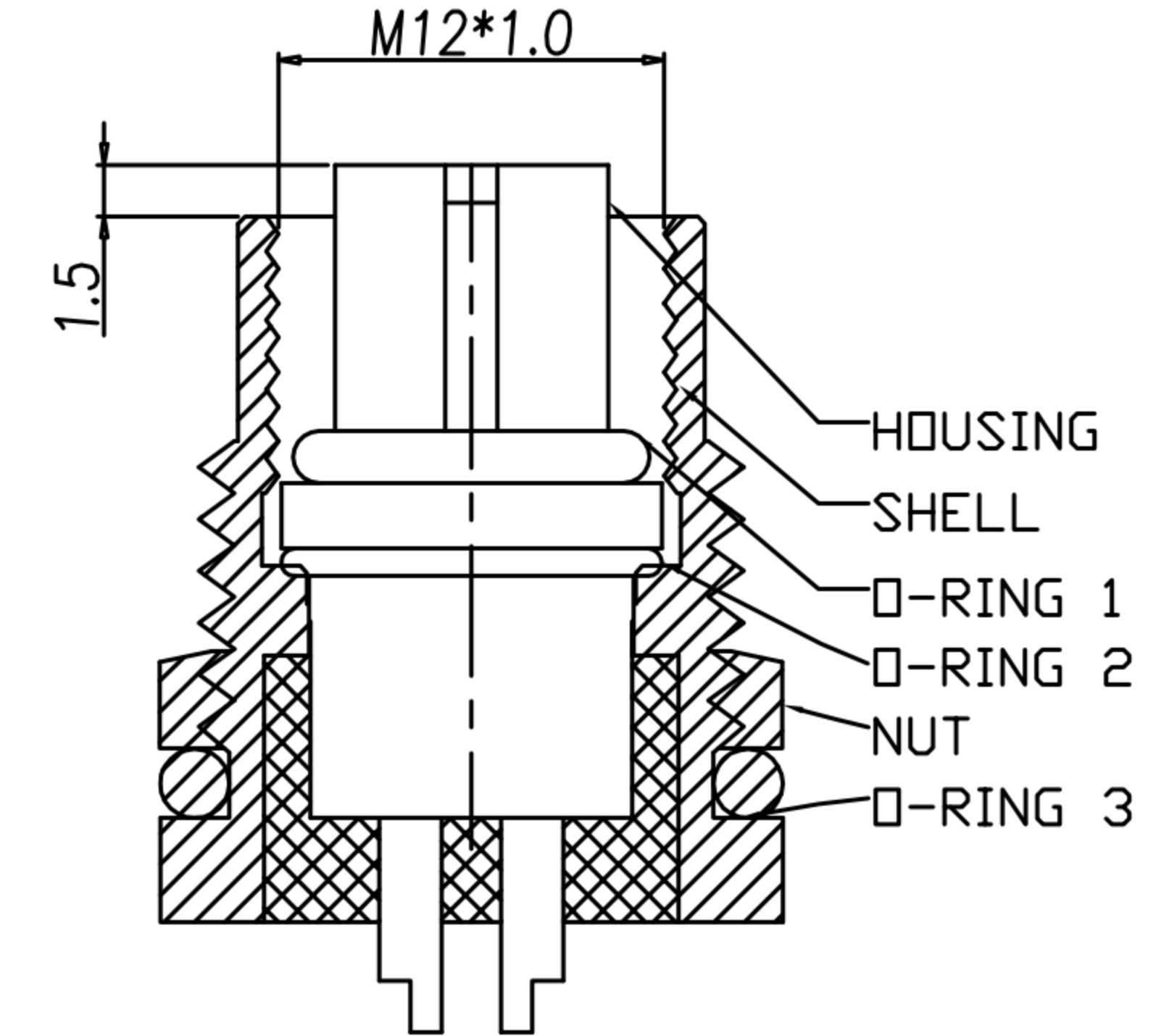
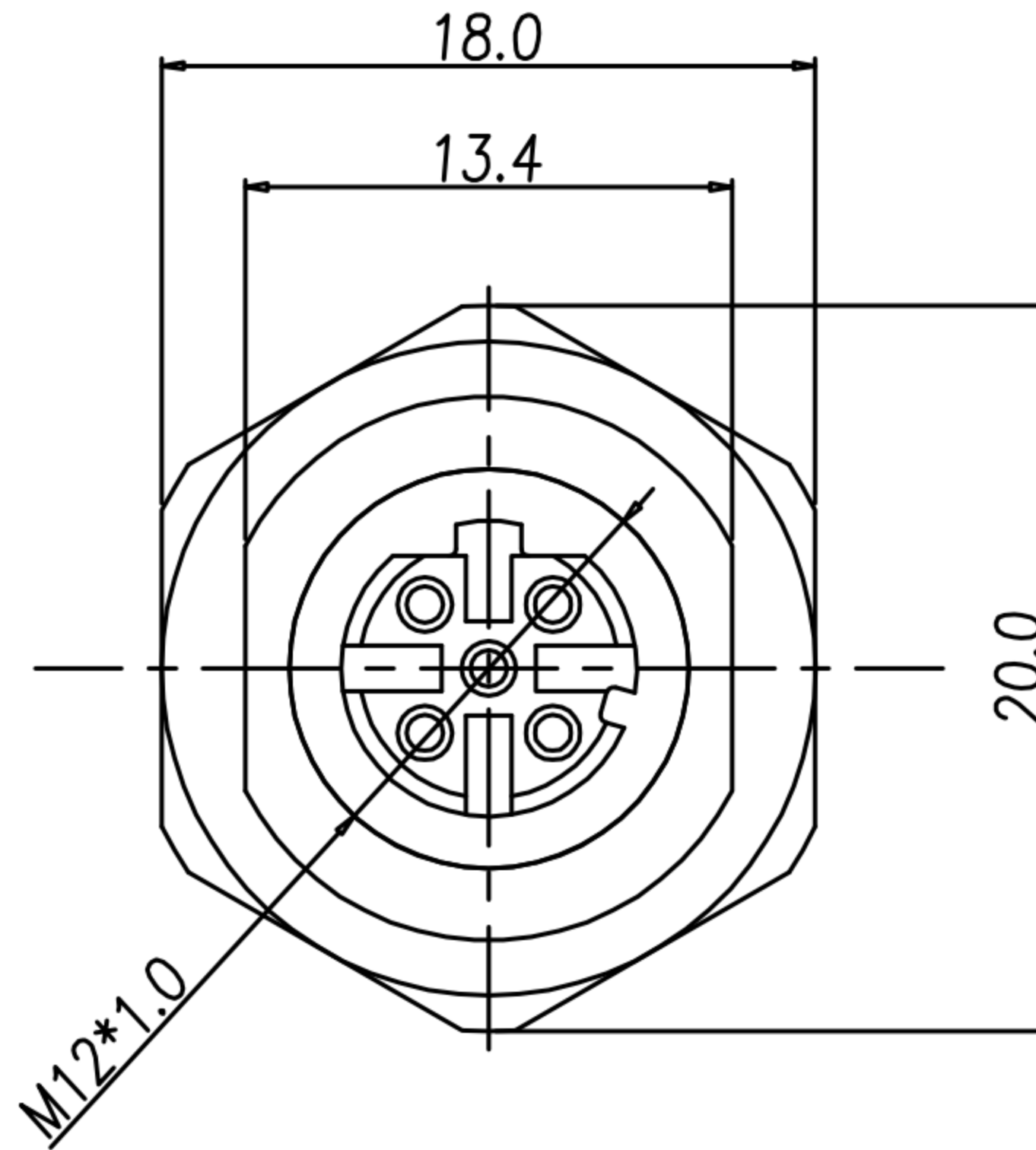
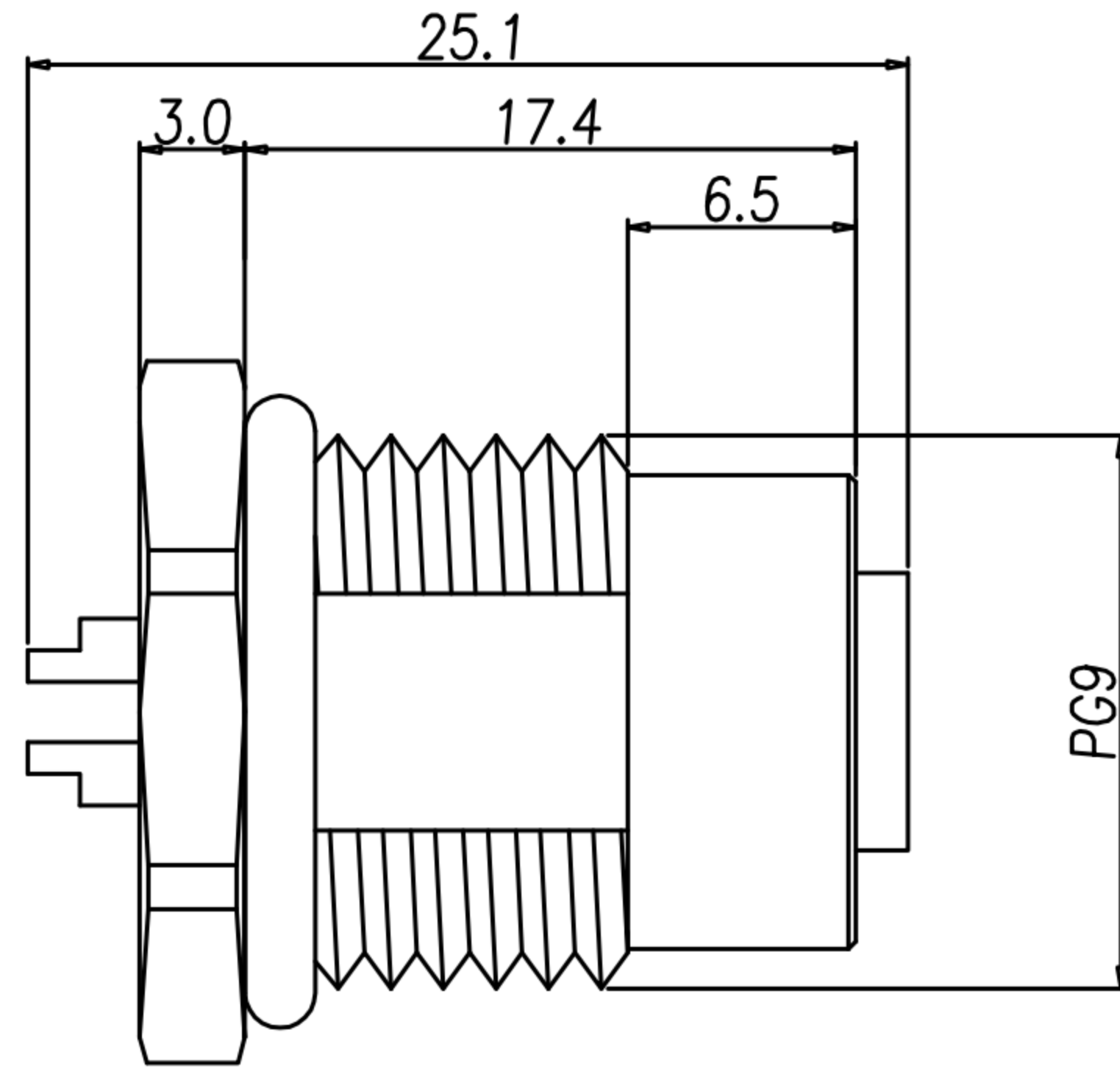
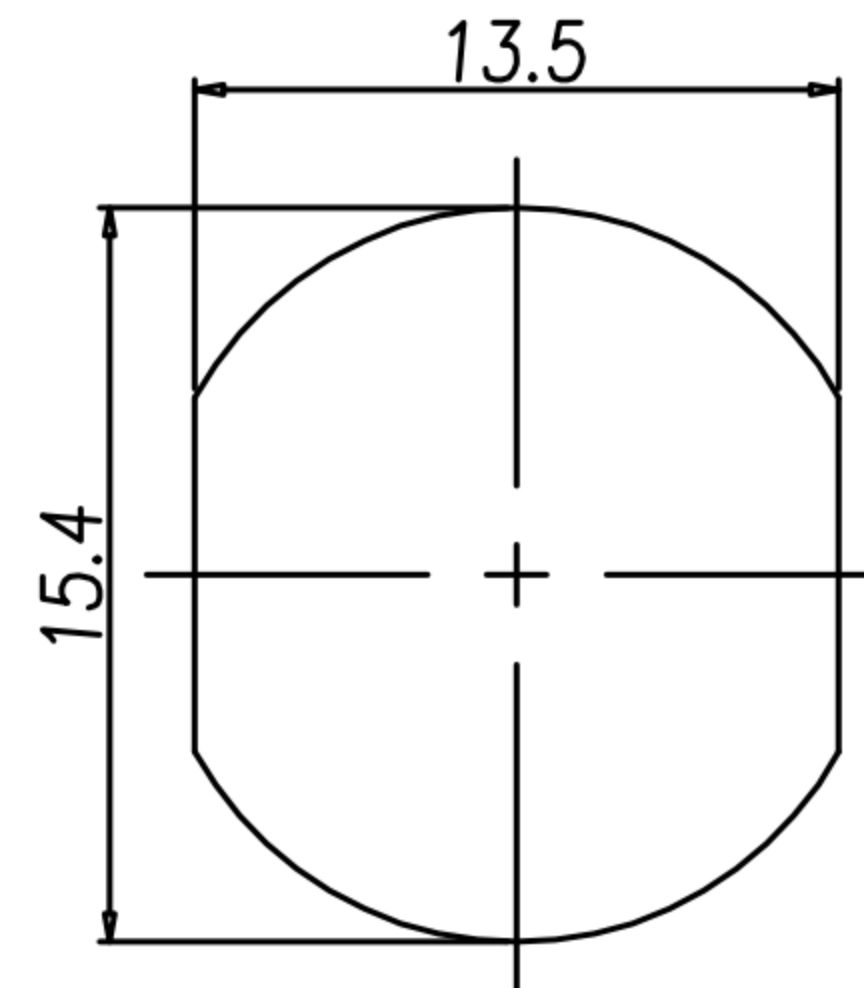


CUSTOMER DRAWING

REV.	DESCRIPTION	APPROVED BY	DATE	ECN NO.
△A	RELEASE	Yeh Chou	2012/11/22	
△B				
△C				
△D				



NUT



RECOMMENDPANEL CUT-OUT

TABLE A

5PIN		4PIN	
WP-05F2-126-11	GOLD 10u"	WP-04F2-160-11	GOLD FLASH
WP-04F2-84	GOLD 10u"		
PART NO	FINISH		

- MATERIAL :
 - 1-1. HOUSING : PBT UL94V-0 ; COLOR : BLACK
 - 1-2. CONTACT : BRASS
 - 1-3. NUT : BRASS
 - 1-4. SHELL : BRASS
 - 1-5. O-RING 1 : EPDM
 - 1-6. O-RING 2 : SILICONE
 - 1-7. O-RING 3 : EPDM
- FINISH :
 - 2-1. CONTACT : SEE TABLE A
 - 2-2. NUT : NICKEL PLATED
 - 2-3. SHELL : NICKEL PLATED
- ELECTRICAL SPECIFICATION :
 - 3-1. Rated current : 4A
 - 3-2. Rated Voltage : 4PIN 250V ; 5PIN 60V
 - 3-3. Water proof : IP67
- Environmental :
 - 4-1. Operation Temperature : -40°C~85°C

DRAWN	Yeh Chou	APPVL	Emily Suen	UNIT	mm	TOLERANCE			TITLE	防水頭 M12 D-code (F) 前鎖PG9 焊線式(無溝槽)			SHEET	1
CHK'D	Emily Suen			SCALE	1:1	.x ±0.20 .xx ±0.10 .xxx ±0.05 .xxxx ±0.03 ANGULA ±1°			PART NO.	SEE TABLE A	DWG NO.	QC5732	VERSION	A