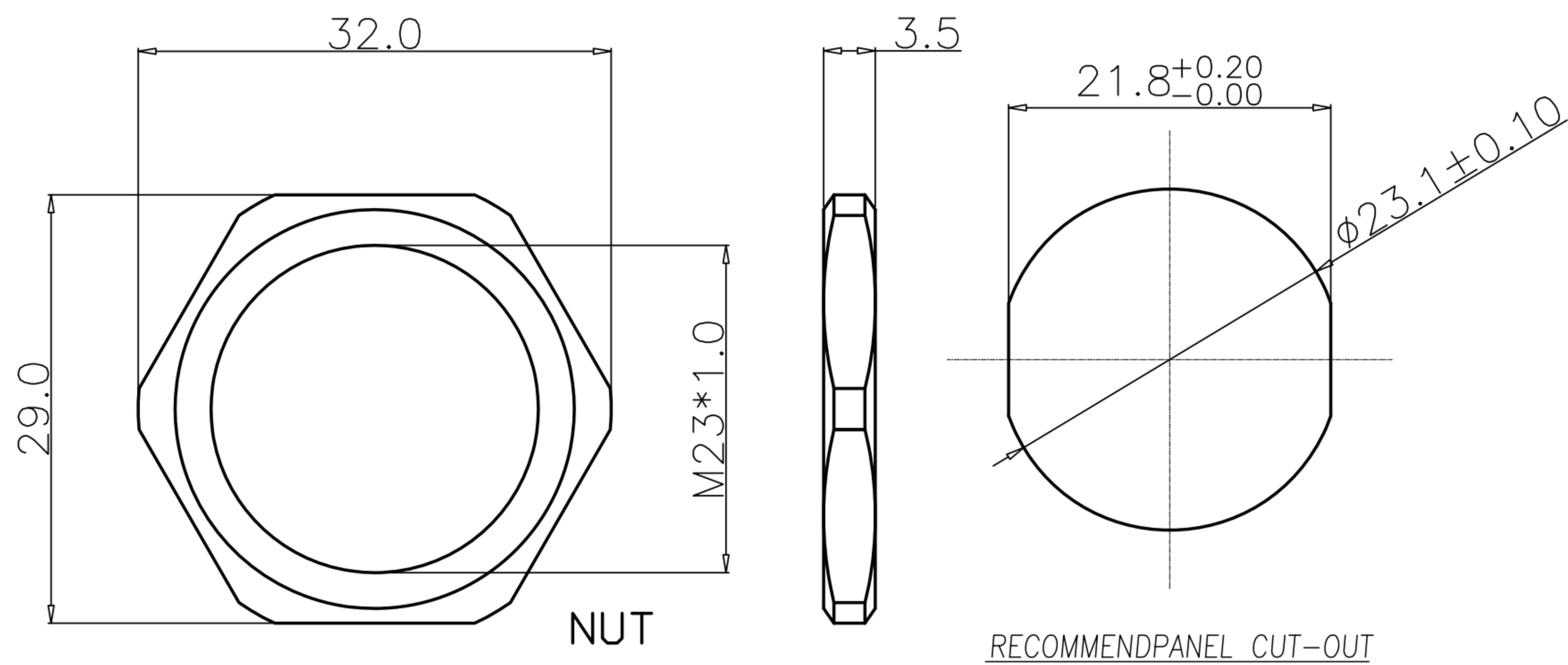
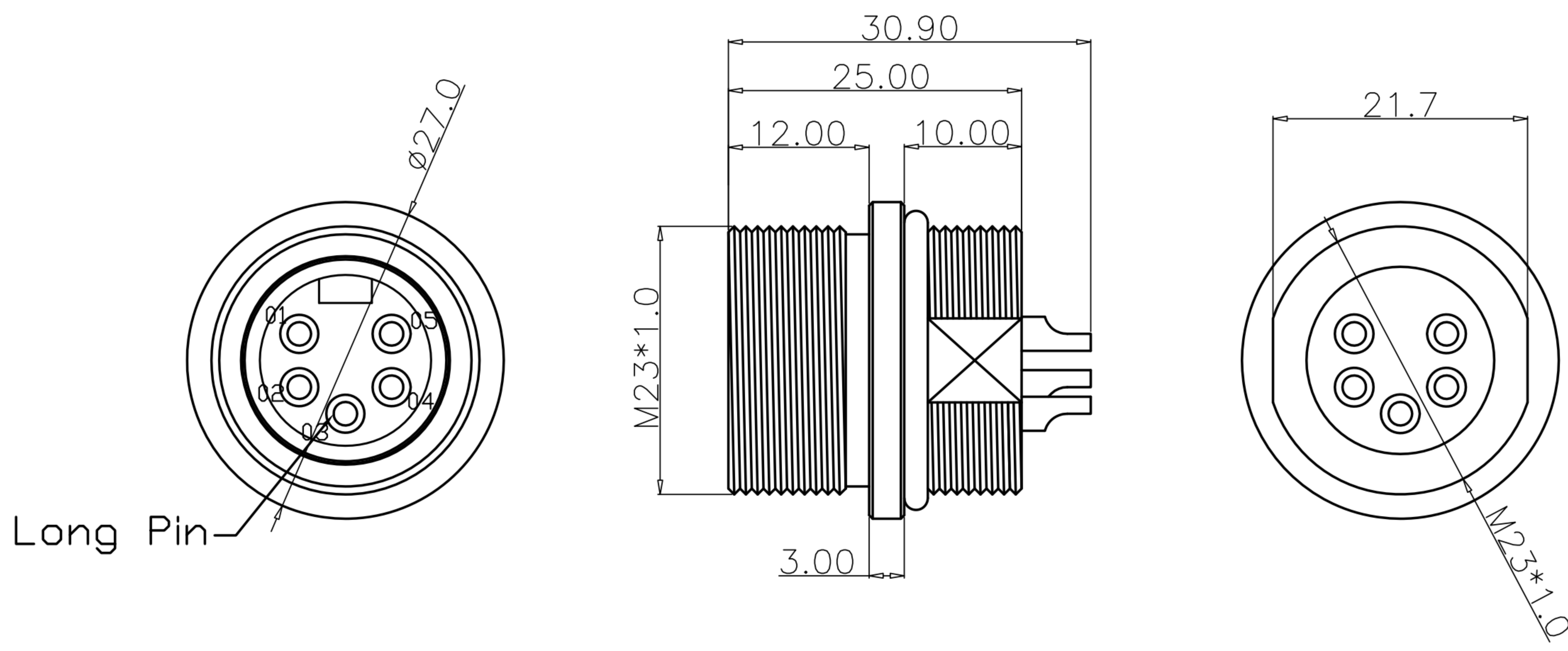


# CUSTOMER DRAWING

REV.	DESCRIPTION	APPROVED BY	DATE	ECN NO.
A	RELEASE	Fido Weng	24/07/14'	
B				
C				



1. MATERIAL :
  - 1-1. HOUSING : PBT UL94V-0 ; COLOR : YELLOW
  - 1-2. CONTACT : BRASS
  - 1-3. SHELL : BRASS
  - 1-4. NUT : BRASS
  - 1-5. O-RING-A : EPDM ; COLOR : BLACK
  - 1-6. O-RING-B : SILICONE ; COLOR : BROWN
2. FINISH :
  - 2-1. CONTACT : GOLD FLASH PLATED
  - 2-2. SHELL : NICKEL PLATED OVER ALL
  - 2-3. NUT : NICKEL PLATED OVER ALL
3. ELECTRICAL SPECIFICATION :
  - 3-1. Rated current : 20A
  - 3-2. Rated voltage : 250V
  - 3-3. Water proof : IP67
4. Environmental :
  - 4-1. Operation Temperature : -40°C~85°C

DRAWN	Ku Chou	APP'D	Emily Suen	UNIT	mm	TOLERANCE		TITLE	防水頭 M23 5PIN(M)後鎖線式			SHEET	
CHK'D	Emily Suen			SCALE	1:1	.x ±0.20 .xx ±0.10 .xxx ±0.05 .xxxx ±0.03 ANGULA ±1°			PART NO.	WP-05M2-90-11	DWG NO.	QC7158	VERSION
												A	

**广东科斯达电子科技有限公司**  
 GUANG DONG KE SI DA ELECTRONIC TECHNOLOGY CO., LTD.