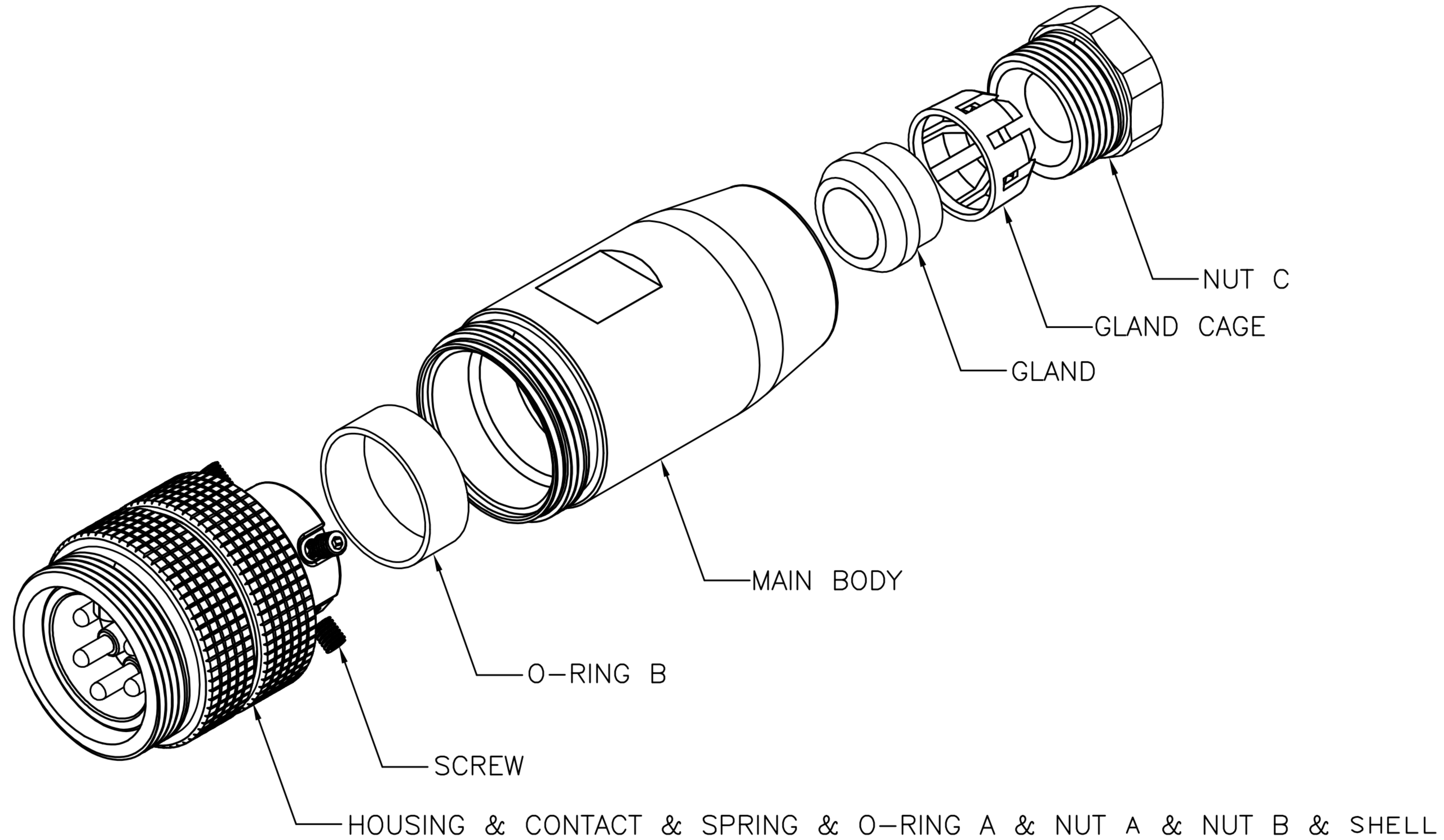


CUSTOMER DRAWING

REV.	DESCRIPTION	APPROVED BY	DATE	ECN NO.
△A	RELEASE	Emily Suen	25/10/11'	
△B				
△C				
△D				

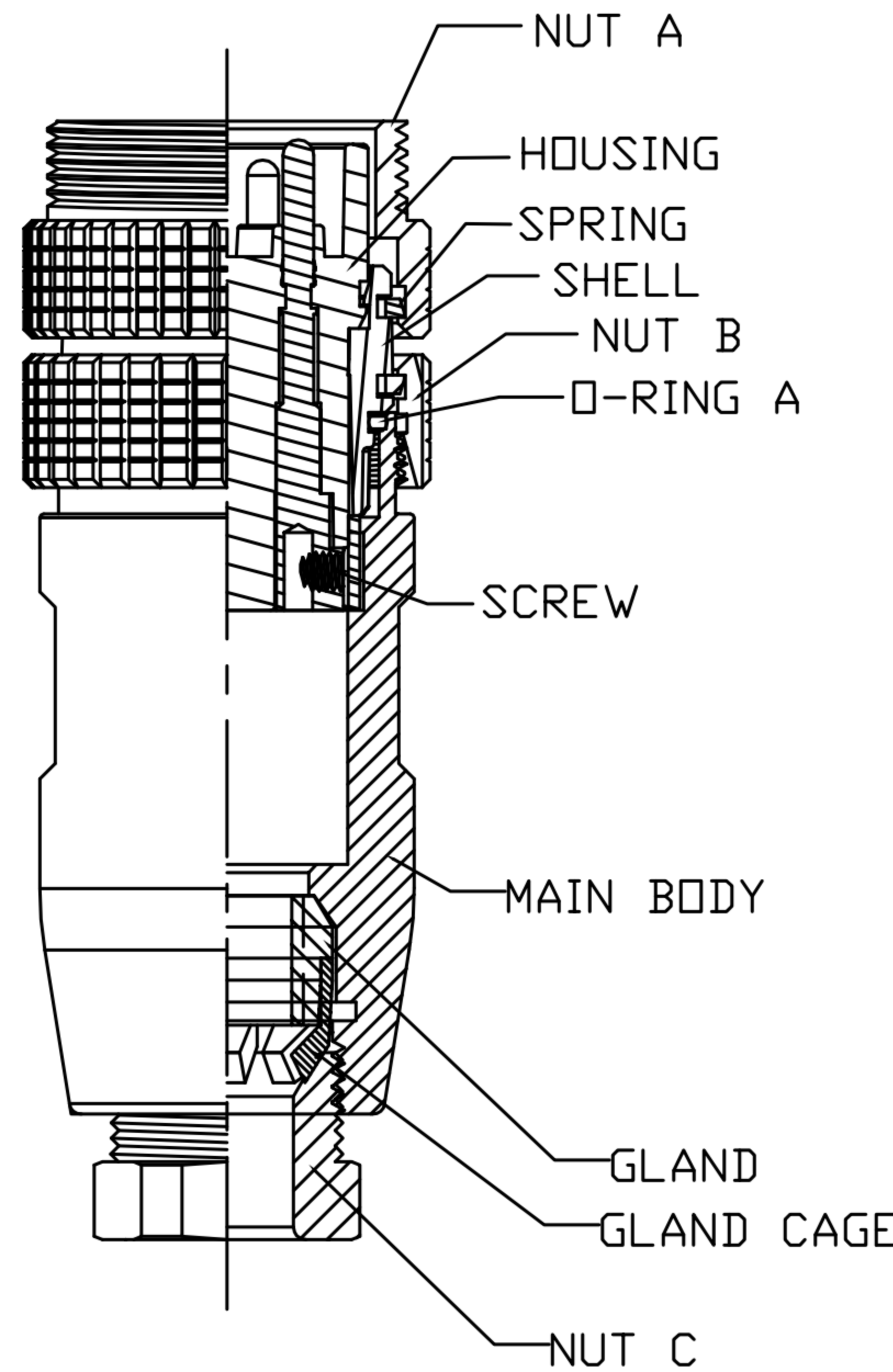
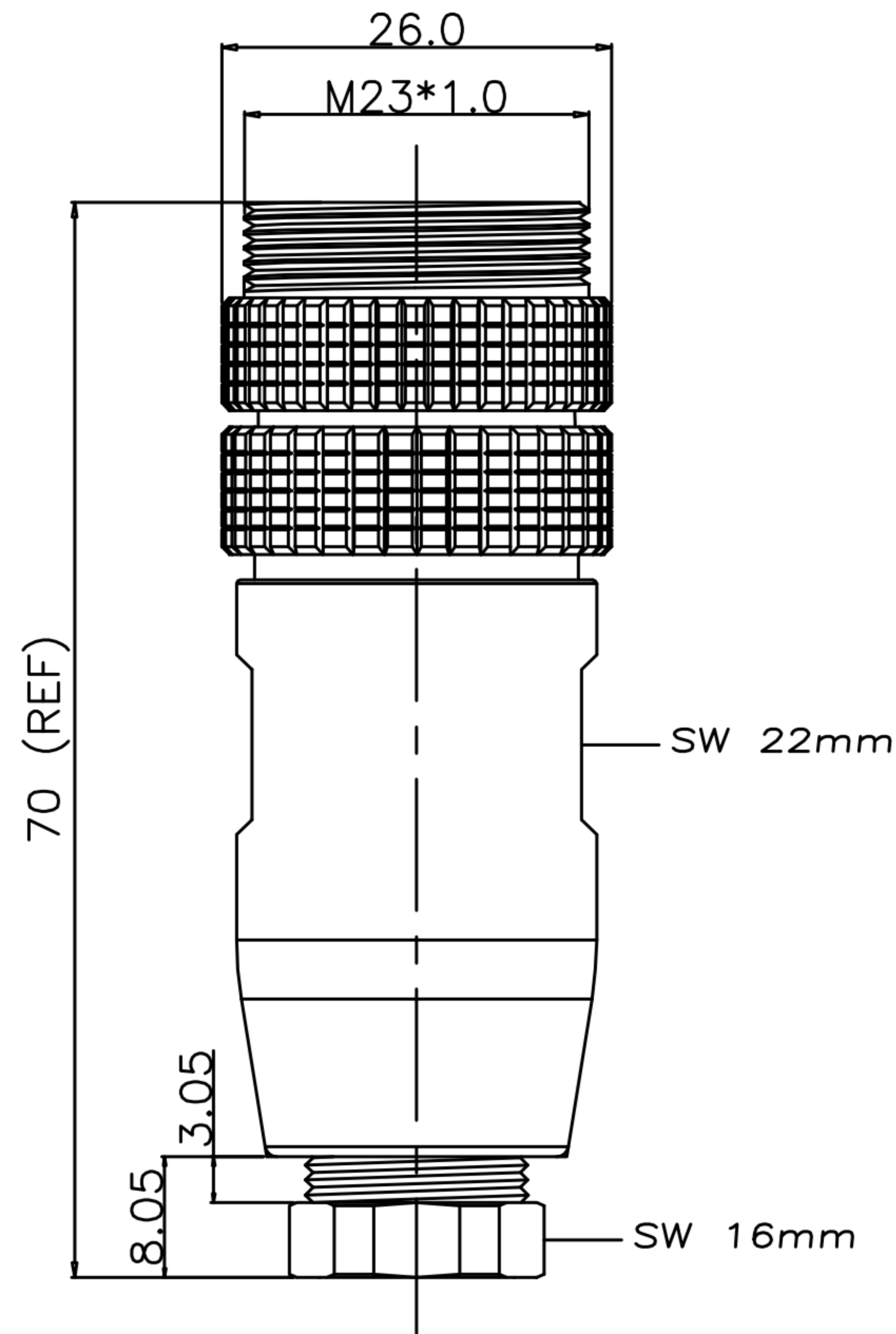
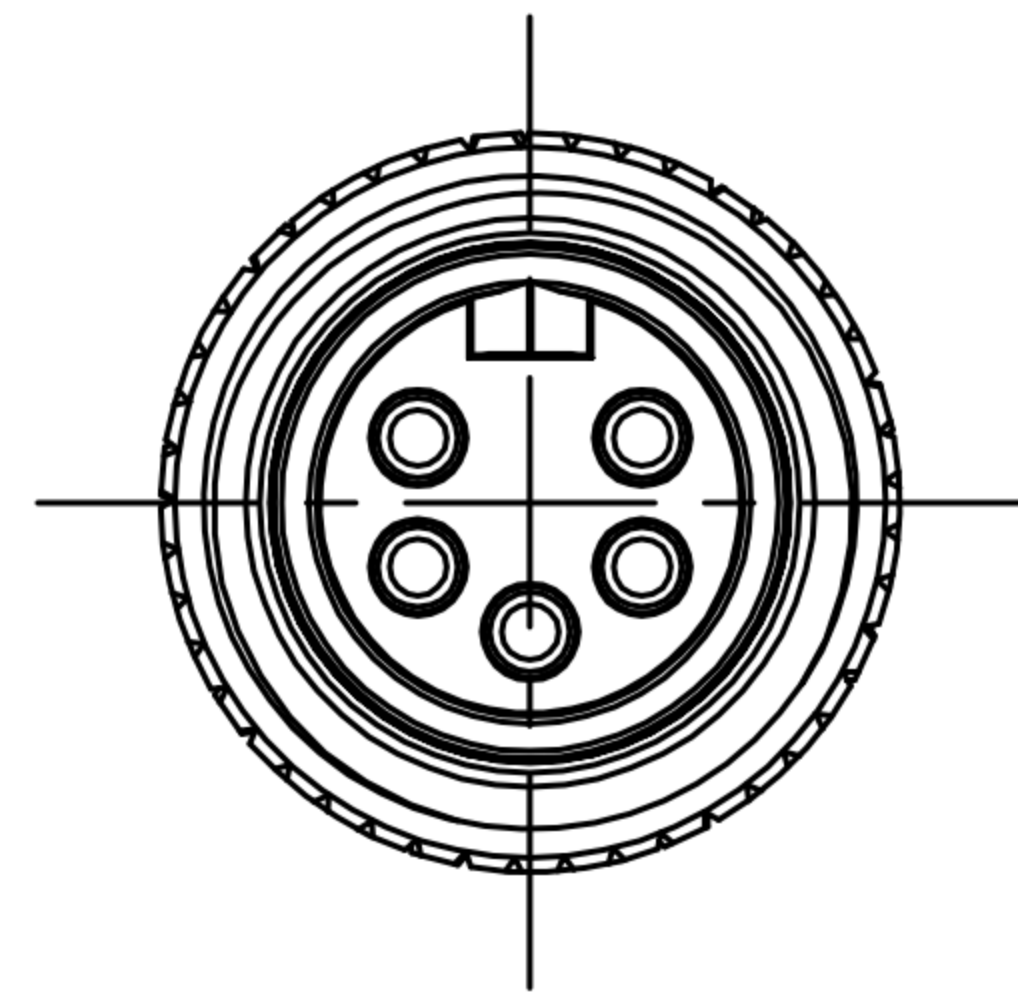
ASSEMBLY INSTUCTION



DRAWN	Emily Suen	APPVL	Ku Chou	UNIT	mm	TOLERANCE		广东科斯达电子科技有限公司 GUANG DONG KE SI DA ELECTRONIC TECHNOLOGY CO., LTD.	TITLE	M23 5PIN (M) 180° 鎖線插式			SHEET	2
CHK'D	Emily Suen			SCALE	1:1	.x ±0.20 .xx ±0.10 .xxx ±0.05 .xxxx ±0.03 ANGULA ±1°			PART NO.	WP-05M2-109-11	DWG NO.	QC7453	VERSION	A

CUSTOMER DRAWING

REV.	DESCRIPTION	APPROVED BY	DATE	ECN NO.
△A				
△B				
△C				



1. MATERIAL :
 - 1-1. HOUSING : TPU ; COLOR : YELLOW.
 - 1-2. SPRING : STAINLESS STEEL.
 - 1-3. O-RING A : NBR ; COLOR : BLACK.
 - 1-4. NUT A : BRASS.
 - 1-5. NUT B : BRASS.
 - 1-6. SHELL : ALUMINIUM ALLOY
 - 1-7. CONTACT : BRASS.
 - 1-8. SCREW : ALLOY STEEL
 - 1-9. O-RING B : SILICONE ; COLOR : BLACK.
 - 1-10. MAIN BODY : ALUMINIUM ALLOY
 - 1-11. GLAND : SILICONE COLOR : BLACK.
 - 1-12. GLAND CAGE : POM ; COLOR : WHITE.
 - 1-13. NUT C : ALUMINIUM ALLOY
2. FINISH :
 - 2-1. NUT A : NICKEL PLATED OVER ALL
 - 2-2. NUT B : NICKEL PLATED OVER ALL
 - 2-3. SHELL : NICKEL PLATED OVER ALL
 - 2-4. CONTACT : GOLD FLASH ON OVER ALL
 - 2-5. SCREW : NICKEL PLATED OVER ALL
 - 2-6. MAIN BODY : NICKEL PLATED OVER ALL
 - 2-7. NUT C : NICKEL PLATED OVER ALL
3. ELECTRICAL SPECIFICATION :
 - 3-1. Rated current : 20A
 - 3-2. Rated voltage : 250V
 - 3-3. Water proof : IP67
4. Environmental :
 - 4-1. Operation Temperature : -40℃~85℃

DRAWN	Ku Chou	APP'D	Emily Suen	UNIT	mm	TOLERANCE			TITLE	M23 5PIN (M) 180° 鎖線裝配式			SHEET	1/2
CHK'D	Emily Suen			SCALE	1:1				PART NO.	WP-05M2-109-11	DWG NO.	QC7453	VERSION	A