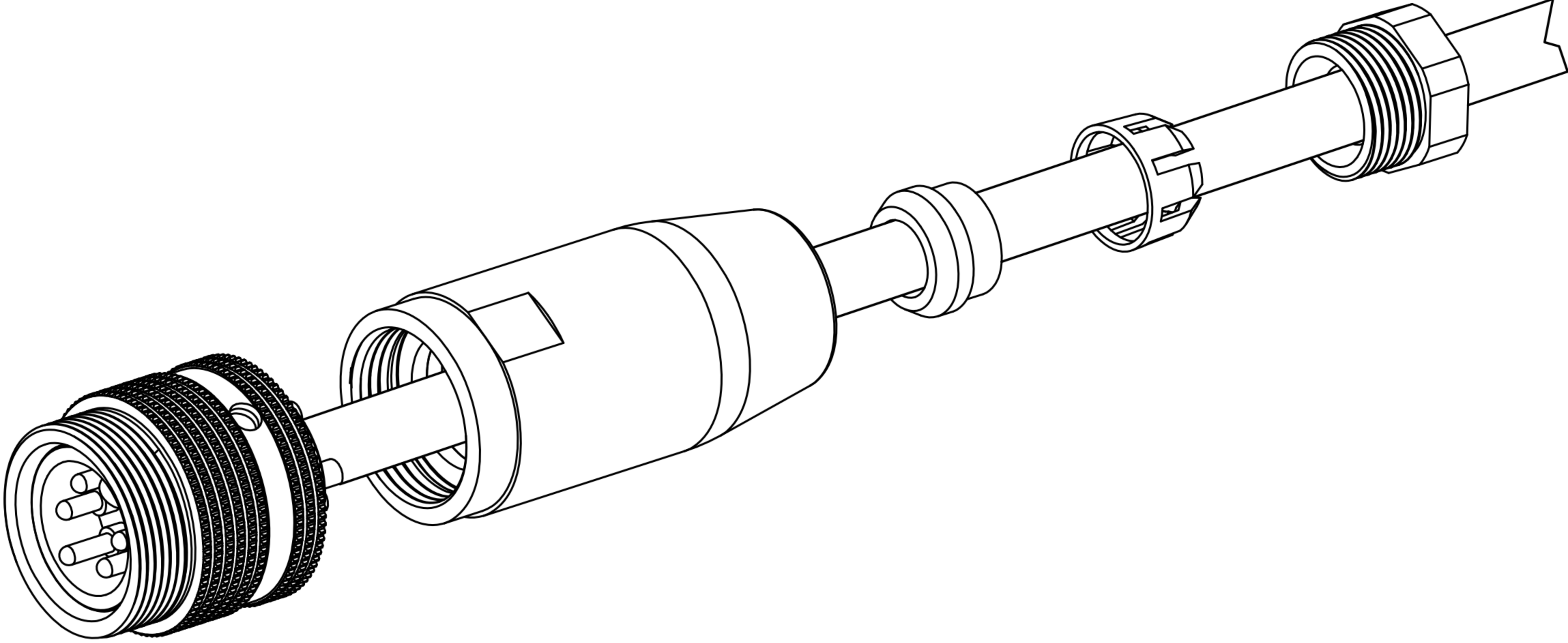


A B C D E F

CUSTOMER DRAWING

REV.	DESCRIPTION	APPROVED BY	DATE	ECN NO.
A	RELEASE	Fido Weng	25/11/11'	
B				
C				

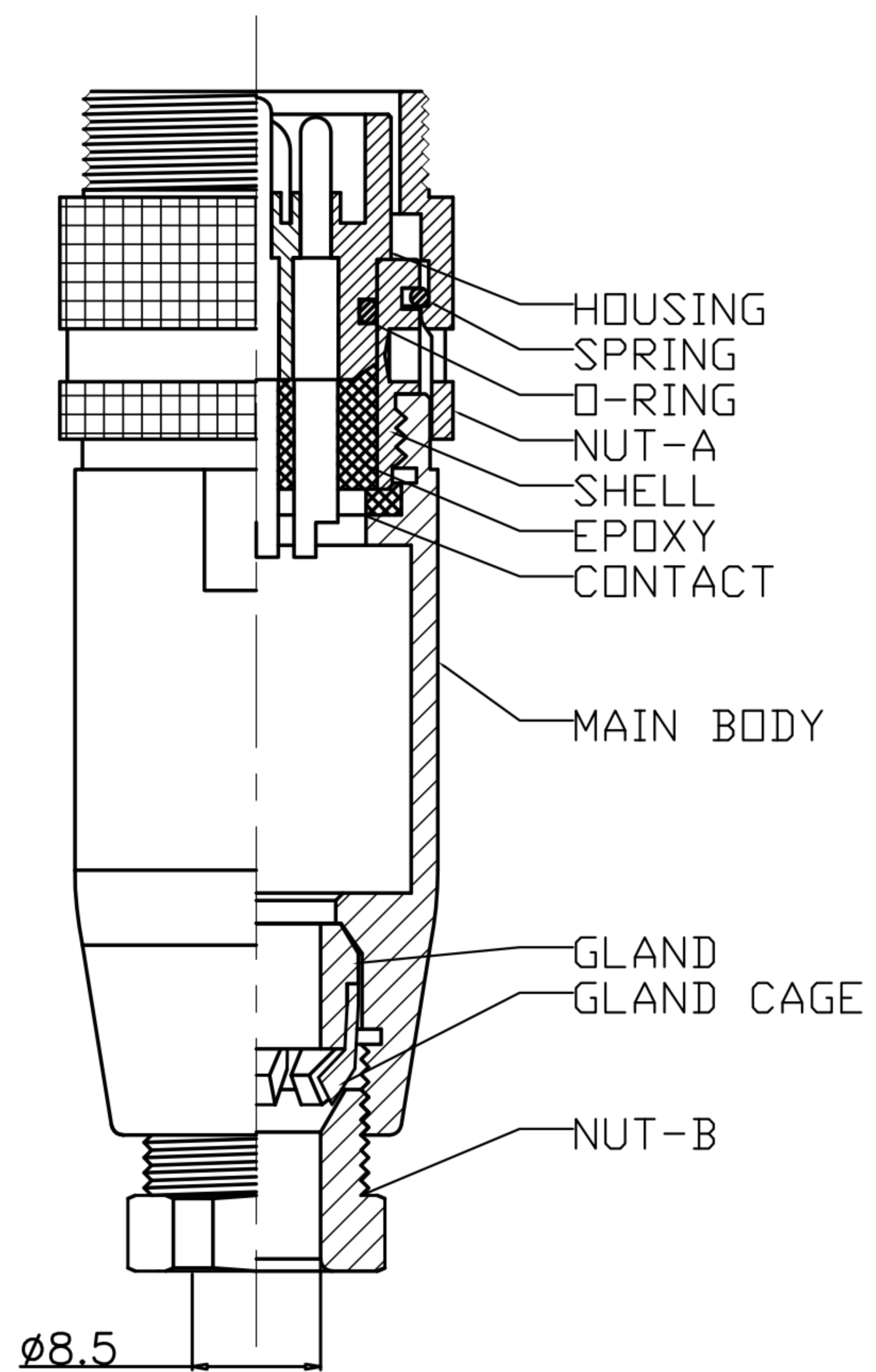
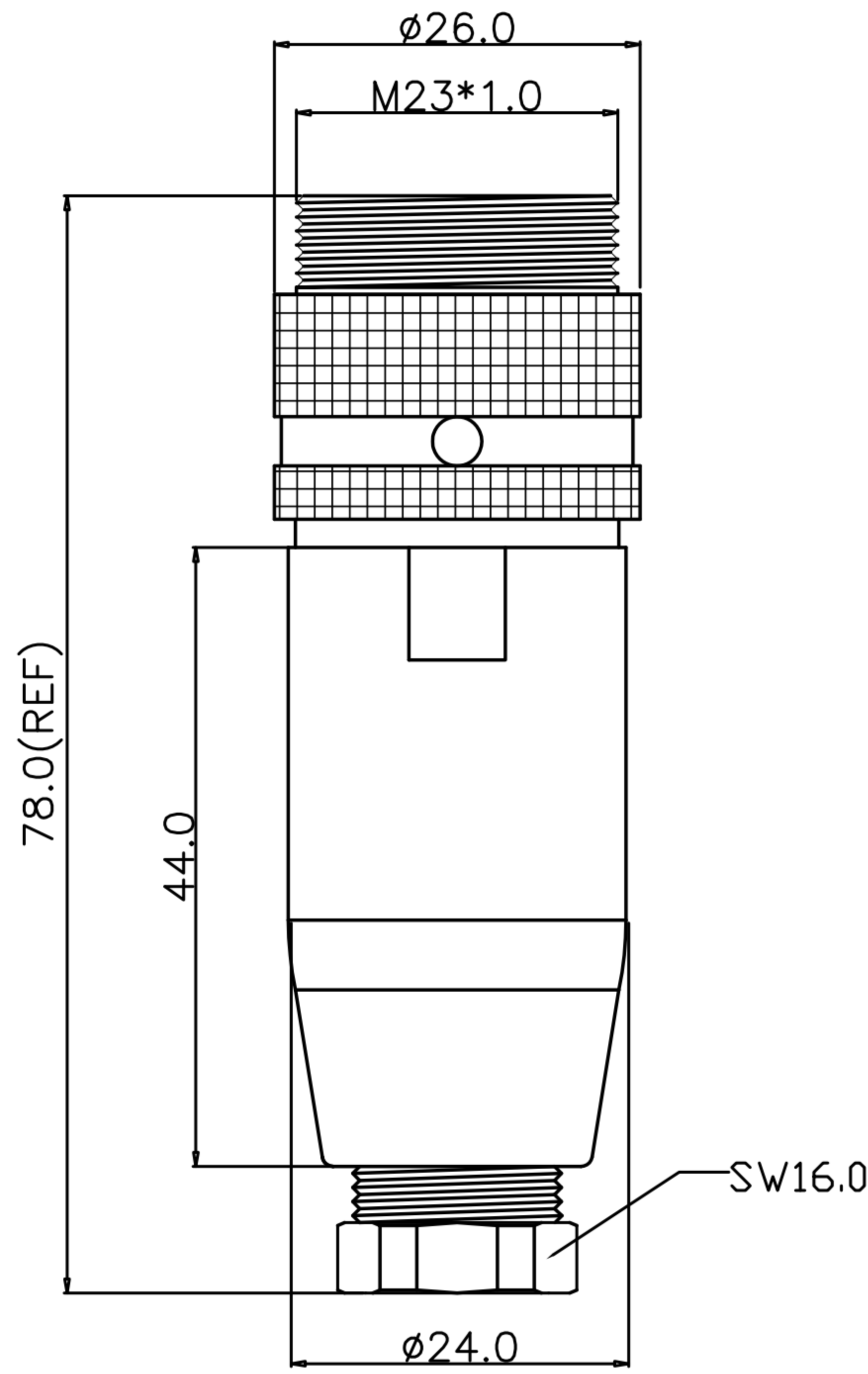
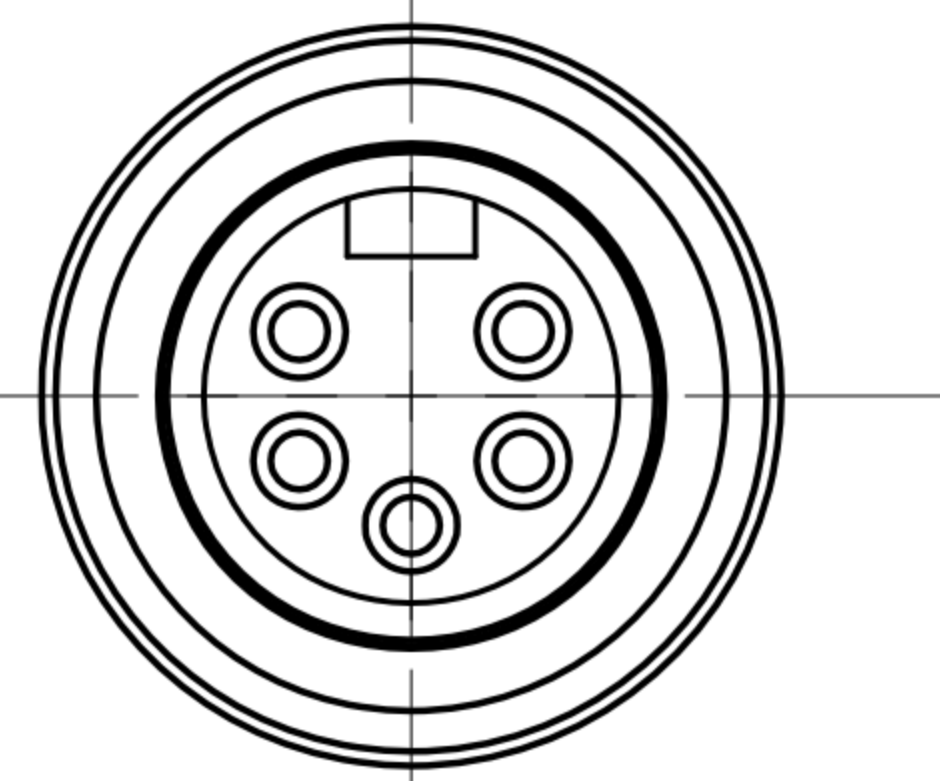
ASSEMBLY INSTRUCTION



DRAWN	Ku Chou	APP'D	Emily Suen	UNIT	mm	TOLERANCE		广东科斯达电子科技有限公司 GUANG DONG KE SI DA ELECTRONIC TECHNOLOGY CO., LTD.	TITLE	M23 5PIN (M) Assembly type			SHEET	1/2
CHK'D	Emily Suen			SCALE	1:1	.x ±0.25 .xx ±0.10 .xxx ±0.05 .xxxx ±0.03 ANGULA ±1°			PART NO.	WP-05M2-59	DWG NO.	QC5643	VERSION	A

CUSTOMER DRAWING

REV.	DESCRIPTION	APPROVED BY	DATE	ECN NO.
A	RELEASE	Fido Weng	25/11/11'	
B				
C				



- MATERIAL :
 - 1-1. HOUSING : PBT UL94V-0 ; COLOR : BLACK.
 - 1-2. SPRING : STAINLESS STEEL.
 - 1-3. O-RING : EPDM ; COLOR : BLACK.
 - 1-4. NUT-A : BRASS.
 - 1-5. SHELL : BRASS.
 - 1-6. CONTACT : BRASS.
 - 1-7. MAIN BODY : ALUMINUM ALLOY.
 - 1-8. GLAND : SILICONE COLOR : BLACK.
 - 1-9. GLAND CAGE : POM ; COLOR : WHITE.
 - 1-10. NUT-B : ALUMINUM ALLOY.
- FINISH :
 - 2-1. NUT-A : SATING NICKEL PLATED OVER ALL
 - 2-2. SHELL : SATING NICKEL PLATED OVER ALL
 - 2-3. CONTACT : 30 MICRO INCHES MIN. GOLD PLATED.
 - 2-4. MAIN BODY : SATING NICKEL PLATED OVER ALL
 - 2-5. NUT-B : SATING NICKEL PLATED OVER ALL
- ELECTRICAL SPECIFICATION :
 - 3-1. Rated current : 20A
 - 3-2. Rated voltage : 250V
 - 3-3. Water proof : IP67
- Environmental :
 - 4-1. Operation Temperature : -40℃~85℃

DRAWN	Ku Chou	APP'D	Emily Suen	UNIT	mm	TOLERANCE		广东科斯达电子科技有限公司 GUANG DONG KE SI DA ELECTRONIC TECHNOLOGY CO., LTD.	TITLE	M23 5PIN (M) Assembly type			SHEET	1/2
CHK'D	Emily Suen			SCALE	1:1	.x ±0.25 .xx ±0.10 .xxx ±0.05 .xxxx ±0.03 ANGULA ±1°			PART NO.	WP-05M2-59	DWG NO.	QC5643	VERSION	A