

CUSTOMER DRAWING

REV.	DESCRIPTION	APPROVED BY	DATE	ECN NO.
△A	RELEASE	Ku Chou	12/06/19*	
△B				
△C				

- MATERIAL :
 - HOUSING : PA66
 - CONTACT : BRASS
 - GASKET : SILICONE
 - HEX NUT : PA66
- FINISH :
 - CONTACT : GOLD FLASH PLATED.
- ELECTRICAL SPECIFICATION :
 - Rated current : 5A
 - Rated voltage : 250V
 - Water proof : IP67
- Environmental :
 - Operation Temperature : -40°C~105°C

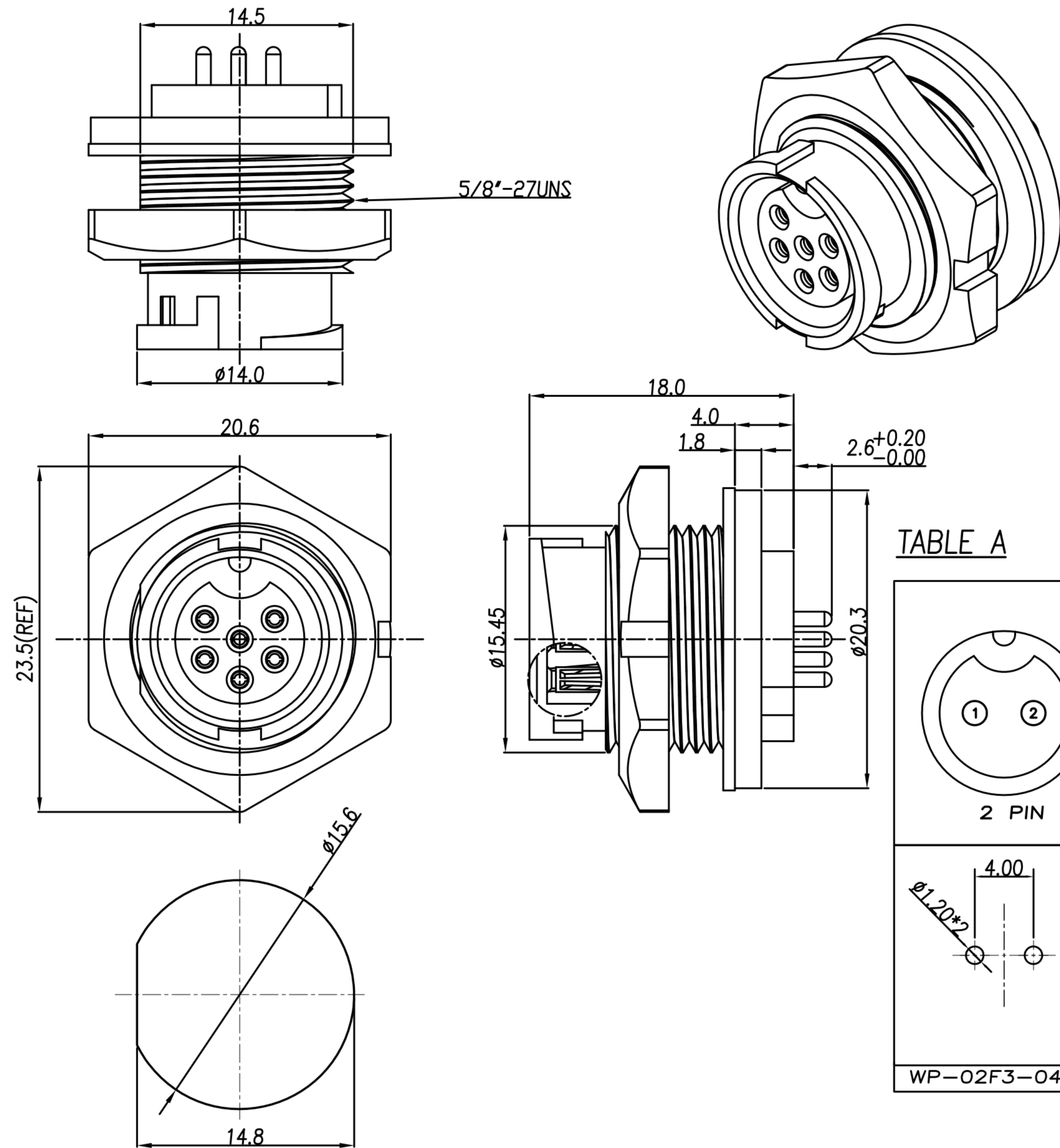


TABLE A

2 PIN	3 PIN	4 PIN	5 PIN	6 PIN
WP-02F3-04-11		WP-04F3-10-11	WP-05F3-16-11	WP-06F3-04-11

PIN ASSIGMENTS & PCB LAYOUT
FRONT VIEW

RECOMMENDED PANEL CUT-OUT

DRAWN	Emily Suen	APP'D	Ku Chou	UNIT	mm	TOLERANCE			TITLE	WP (M CONN/F PIN) (LOCK) B SIZE 前DIP-5A			SHEET
CHK'D	Ku Chou			SCALE	1:1	.x ±0.20 .xx ±0.10 .xxx ±0.05 .xxxx ±0.03 ANGULA ±1°			PART NO.	SEE TABLE A	DWG NO.	QC9994	VERSION

广东科斯达电子科技有限公司
GUANG DONG KE SI DA ELECTRONIC TECHNOLOGY CO., LTD.