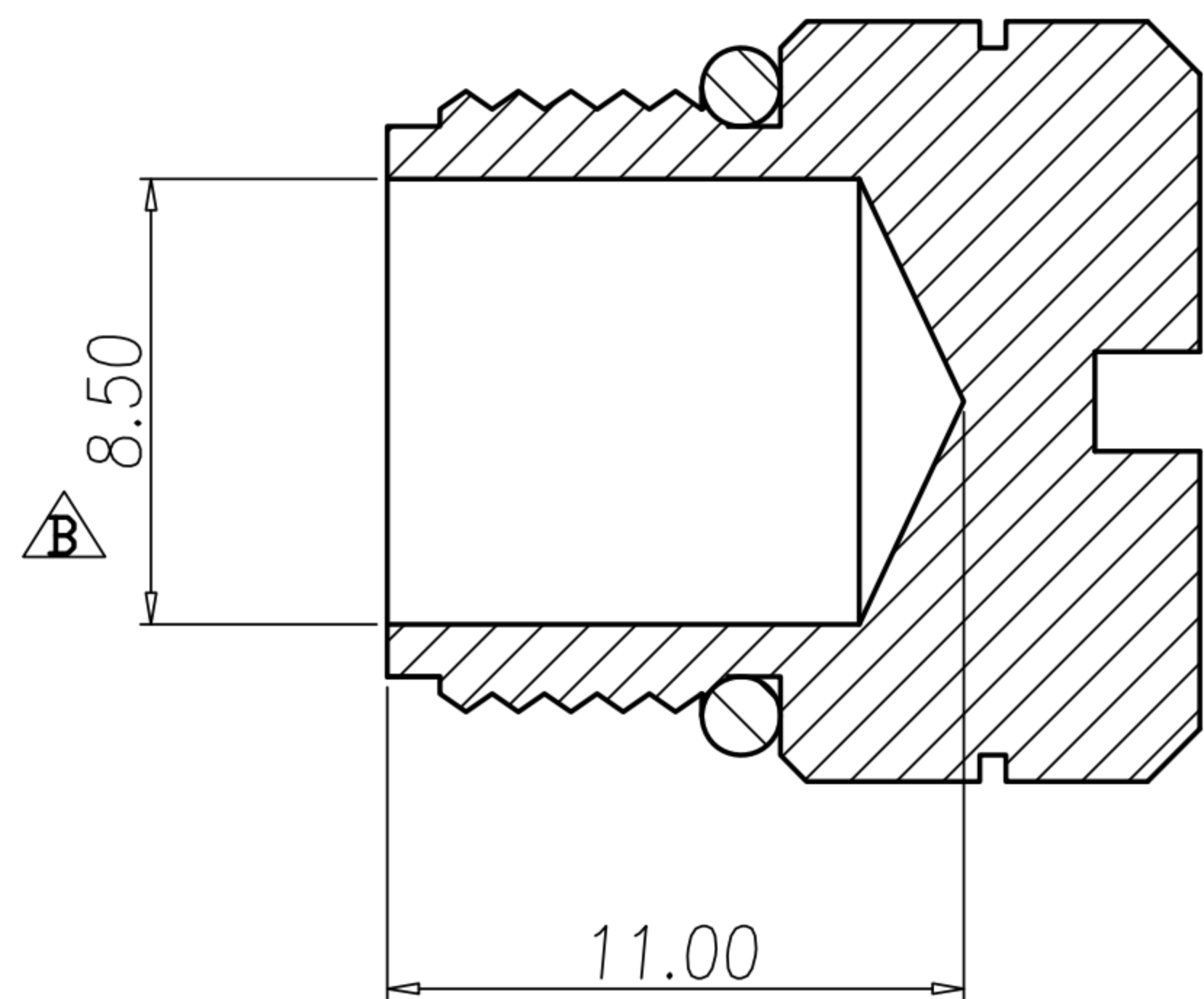
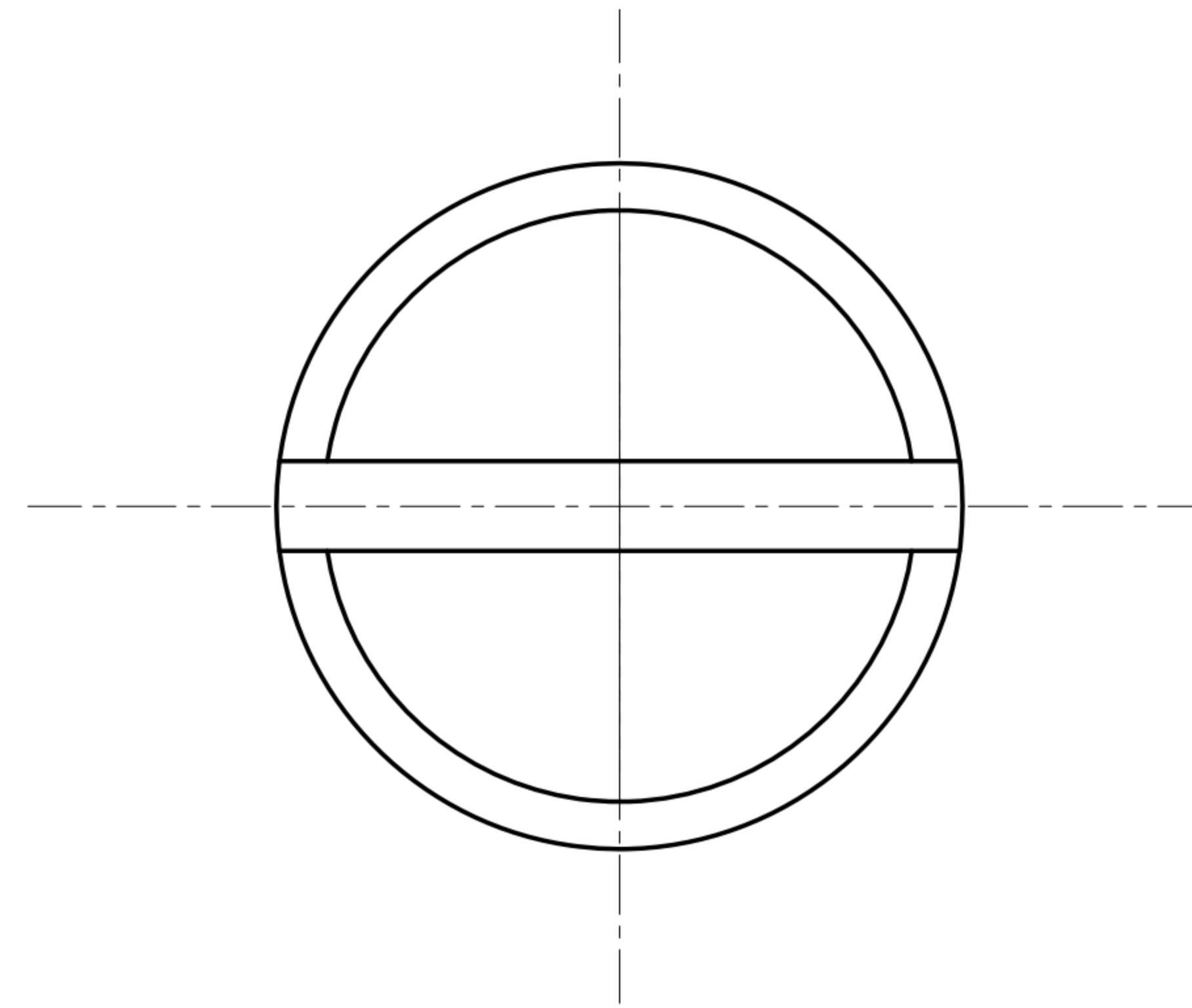
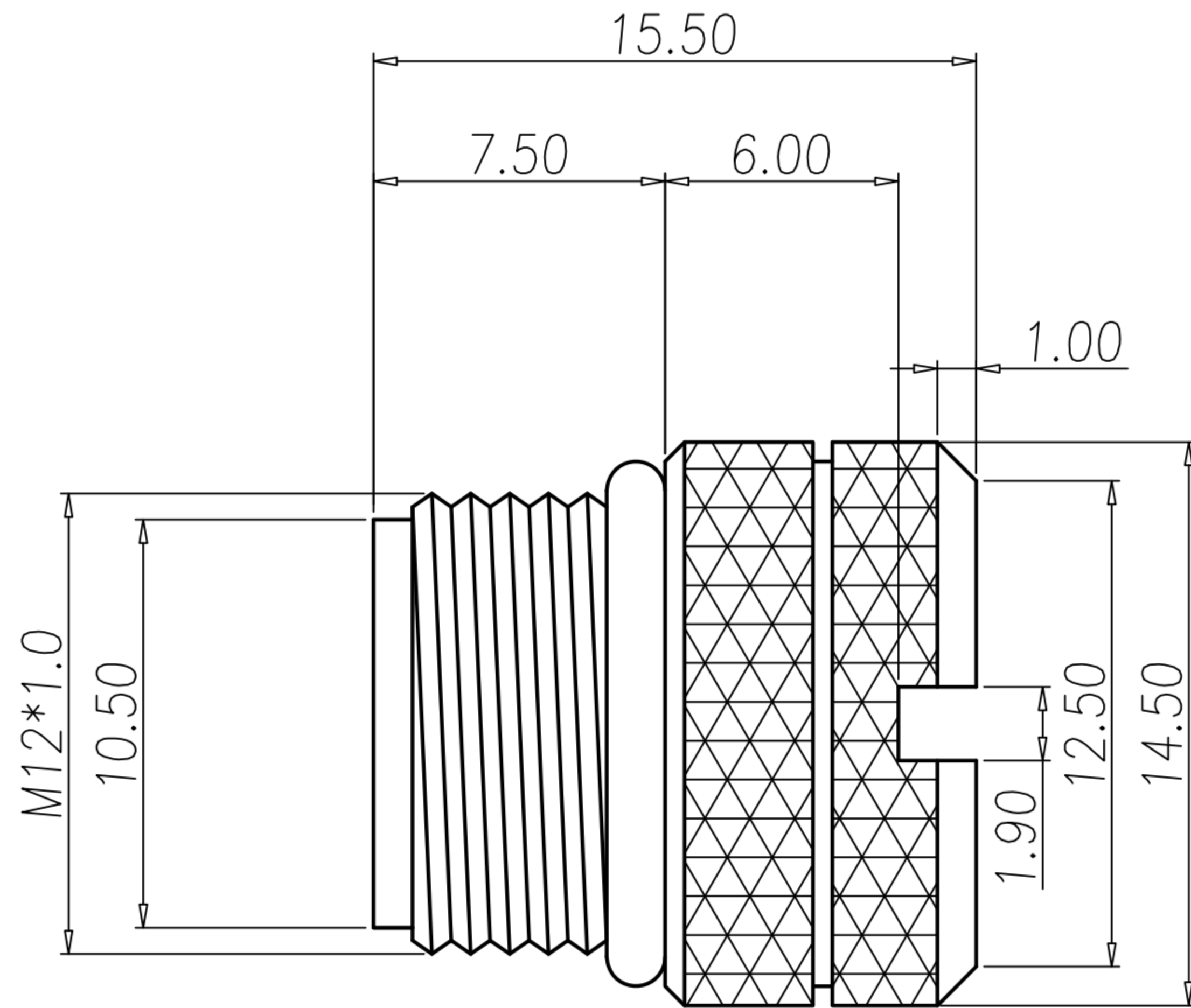


CUSTOMER DRAWING

REV.	DESCRIPTION	APPROVED BY	DATE	ECN NO.
A	RELEASE	Fido Weng	04/03/10'	
B	尺寸設變	Fido Weng	12/09/16'	
C				



1. MATERIAL :
 - 1-1. SHELL : BRASS
 - 1-2. O-RING : EPDM
2. FINISH :
 - 2-1. CONTACT : NICKEL PLATED.

DRAWN	Ku Chou	APPEND	Fido WEng	UNIT	mm	TOLERANCE		广东科斯达电子科技有限公司 GUANG DONG KE SI DA ELECTRONIC TECHNOLOGY CO., LTD.	TITLE	M12防塵蓋+油封			SHEET	1
CHKED	Emily Suen			SCALE	1:1	.x ±0.20 .xx ±0.10 .xxx ±0.05 .xxxx ±0.03 ANGULA ±1°			PART NO.	NY-WP270	DWG NO.	QC4842	VERSION	B