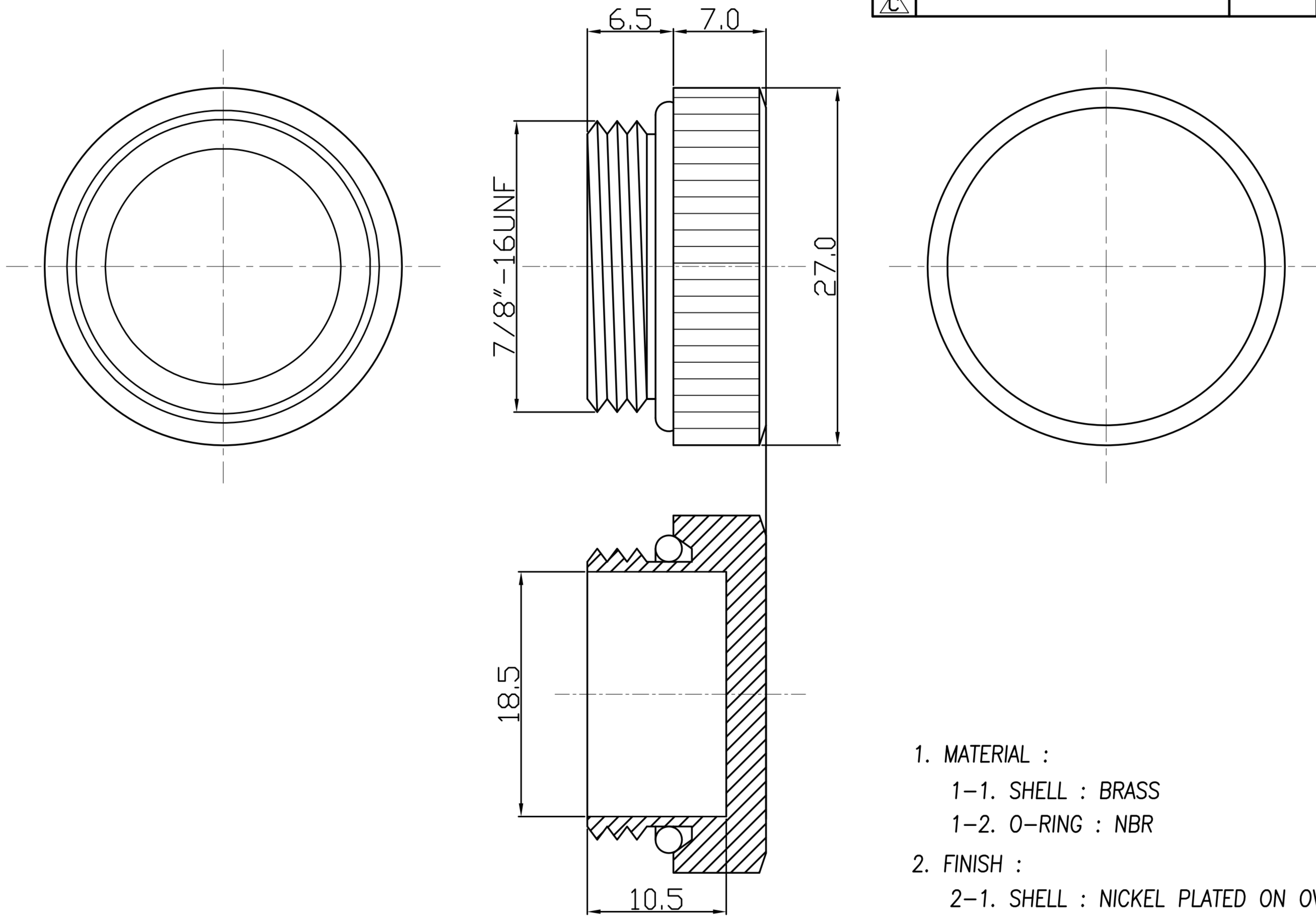


A B C D E F

REV.	DESCRIPTION	APPVL. BY	DATE	ECN NO.
A				
B				
C				

CUSTOMER DRAWING



- 1. MATERIAL :
 - 1-1. SHELL : BRASS
 - 1-2. O-RING : NBR
- 2. FINISH :
 - 2-1. SHELL : NICKEL PLATED ON OVER ALL

DRAW	Ku Chou	APPVL	Fido Weng	UNIT	mm	TOLERANCE		广东科斯达电子科技有限公司 GUANG DONG KE SI DA ELECTRONIC TECHNOLOGY CO., LTD.	TITLE	WP 7/8"-16UNF COVER(銅)(油封溝槽)+O-ring			SHEET	1
CHECK	Emily Suen			SCALE	1:1	.x ±0.10 .xx ±0.05 .xxx ±0.03 .xxxx ±0.01 ANGULA ±1°			PART NO.	NY-WP377	DWG NO.	QC5447	VERSION	