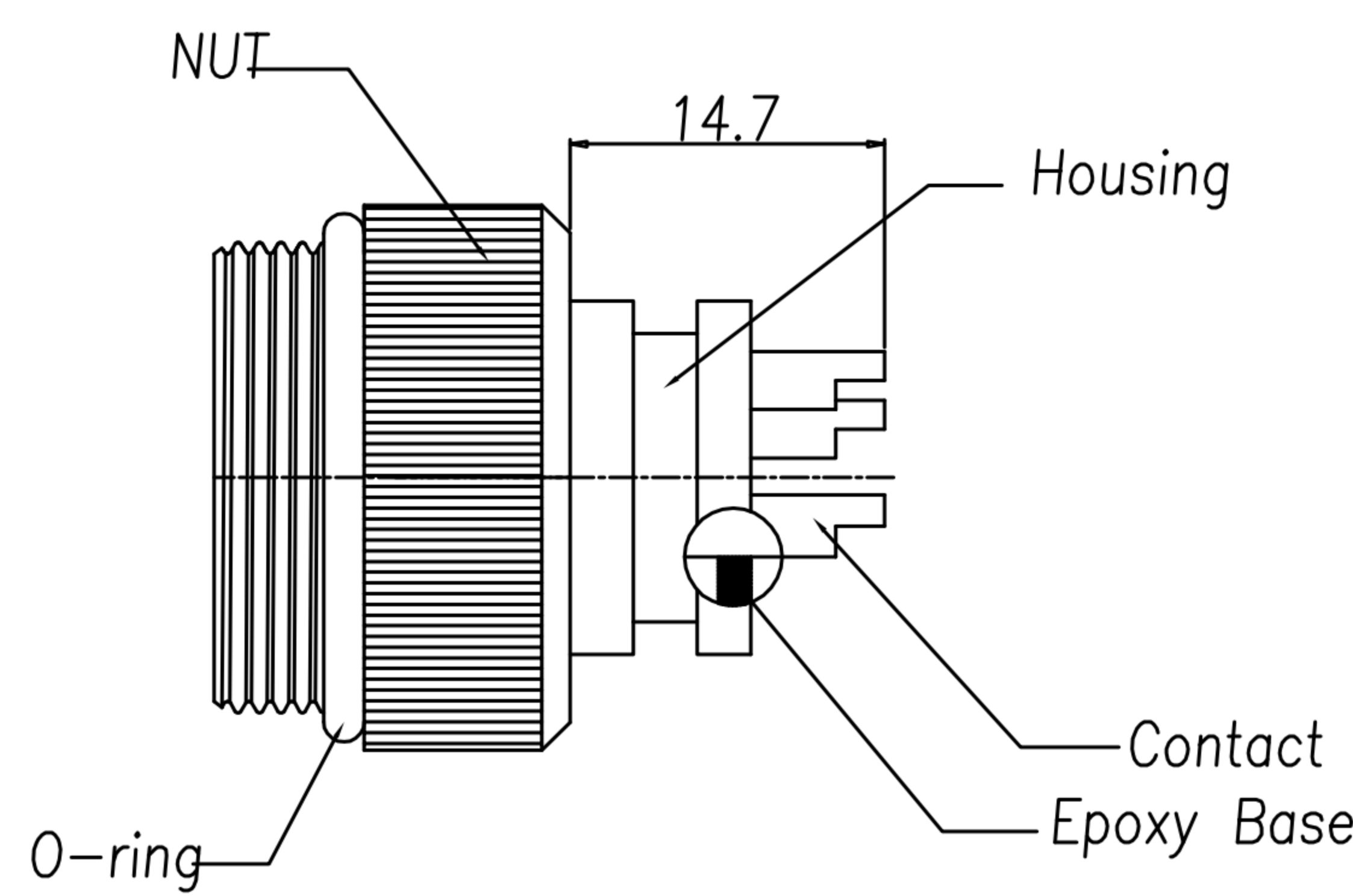
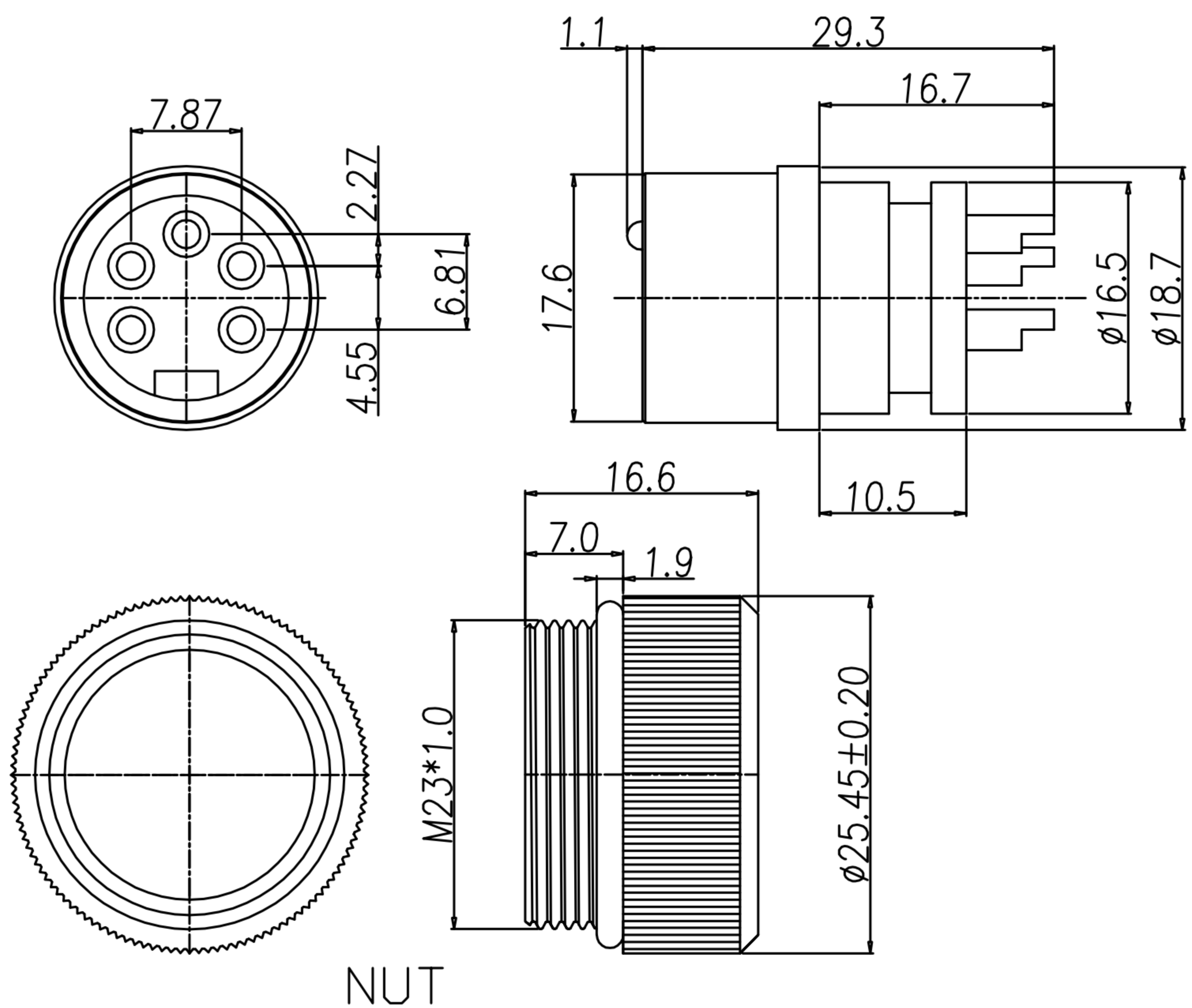


CUSTOMER DRAWING

REV.	DESCRIPTION	APPROVED BY	DATE	ECN NO.
△A	RELEASE	Fido Weng	03/05/11'	
△B	新增料號	KU	11/01/19'	
△C				



- MATERIAL :
 - 1-1. HOUSING : PBT UL94V-0 ; COLOR : YELLOW.
 - 1-2. CONTACT : BRASS
 - 1-3. NUT : BRASS
 - 1-4. O-RING : NBR ; COLOR : BLACK
- FINISH :
 - 2-1. CONTACT : 30 MICRO INCHES MIN. GOLD PLATED
UNDER PLATE : NICKEL
 - 2-2. NUT : NICKEL PLATED
- ELECTRICAL SPECIFICATION :
 - 3-1. Rated current : 20A
 - 3-2. Rated voltage : 250V
 - 3-3. Water proof : IPX8
- Environmental :
 - 4-1. Operation Temperature : -20℃~85℃

TABLE A △B

LONG PIN	LONG PIN	LONG PIN
WP-03M2-104-11	WP-04M2-168-11	WP-05M2-54

DRAWN	Ku Chou	APPEND	Emily Suen	UNIT	mm	TOLERANCE		广东科斯达电子科技有限公司 GUANG DONG KE SI DA ELECTRONIC TECHNOLOGY CO., LTD.	TITLE	WP M23 (M) 焊線式			SHEET	1
CHK'D	Emily Suen			SCALE	1:1	.x ±0.20 .xx ±0.10 .xxx ±0.05 .xxxx ±0.03 ANGULA ±1°			PART NO.	SEE TABLE A	DWG NO.	QC5333	VERSION	B