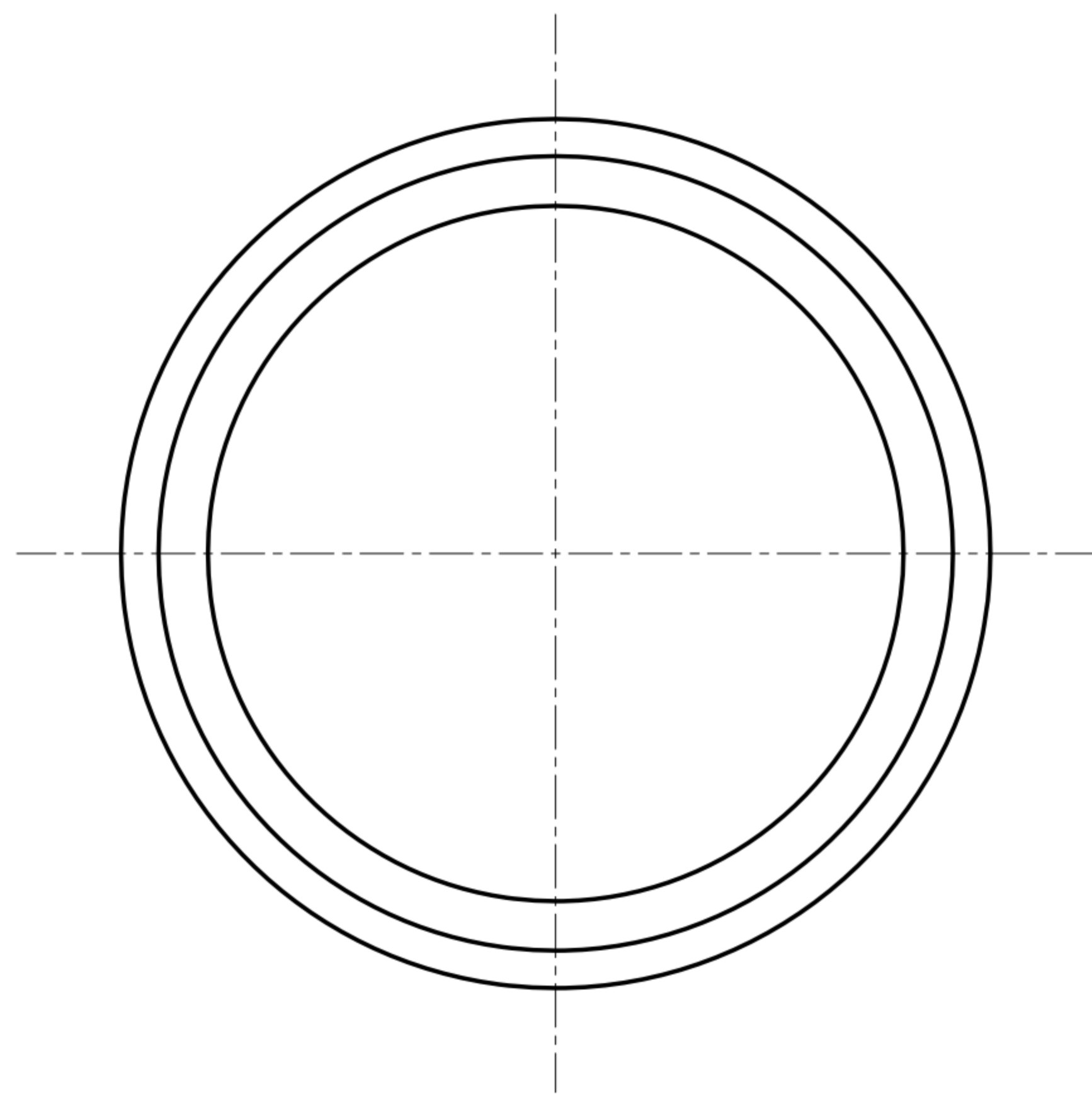
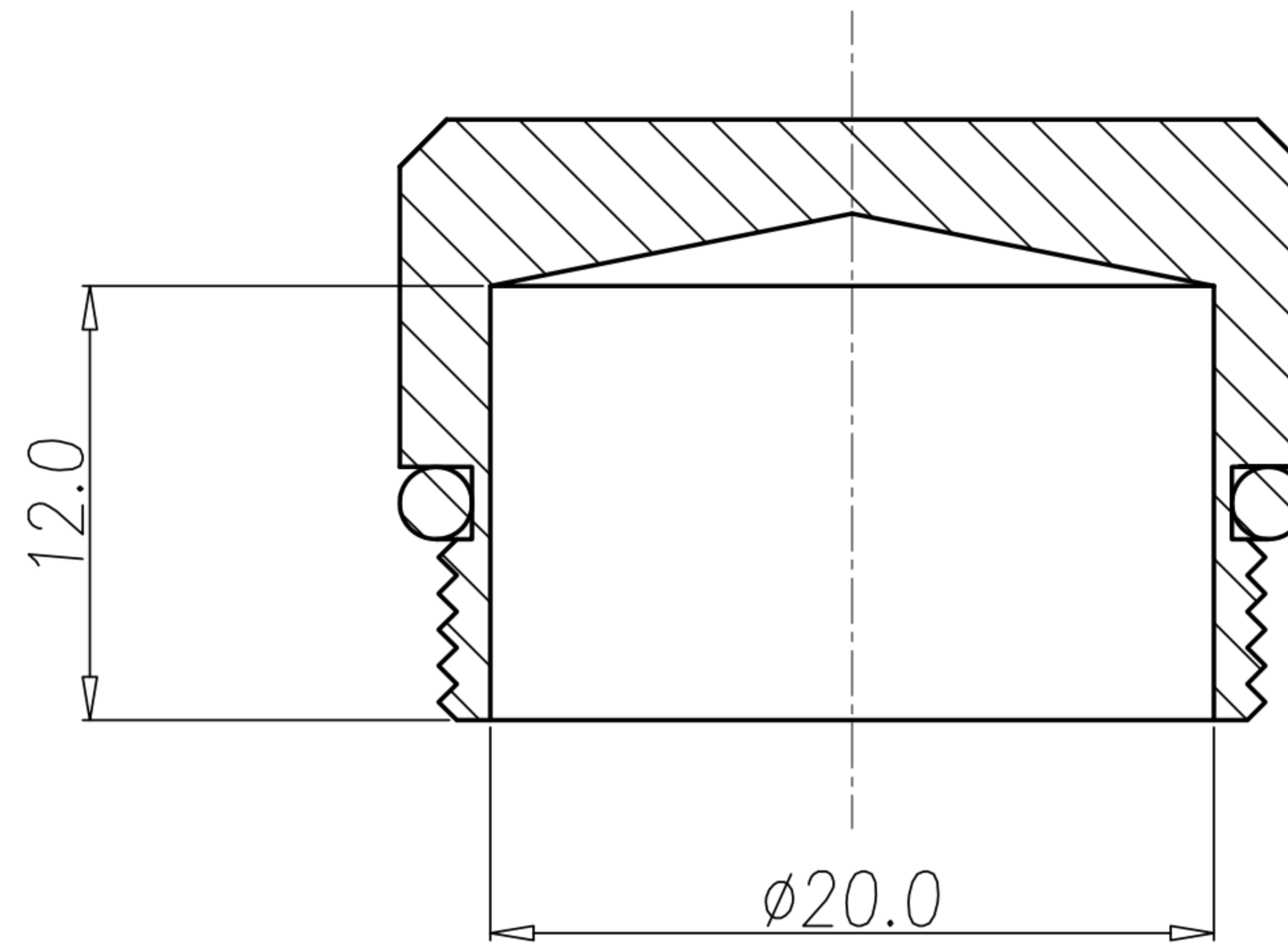
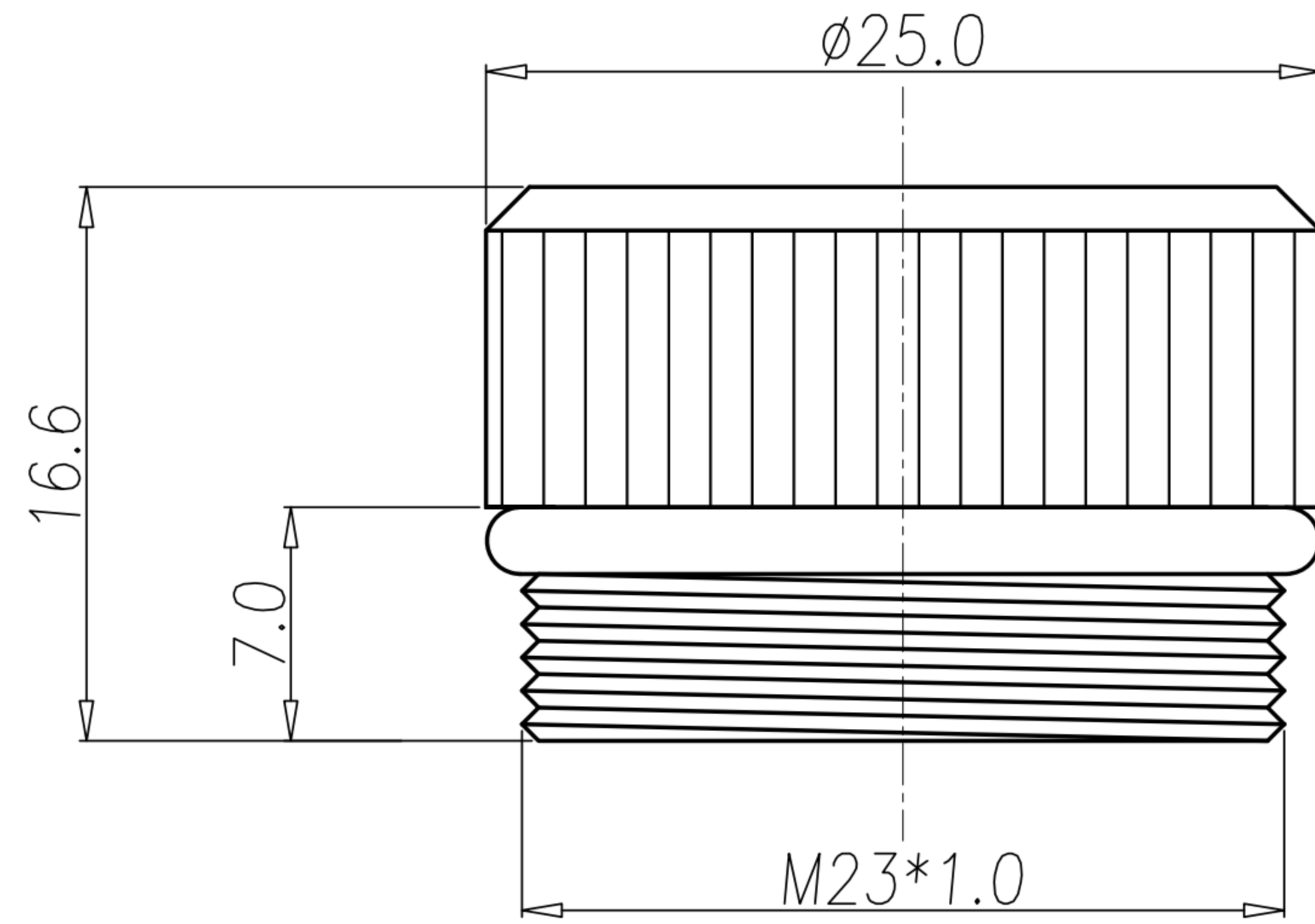


CUSTOMER DRAWING

REV.	DESCRIPTION	APPROVED BY	DATE	ECN NO.
△A	RELEASE	Fido Weng	04/08/09'	
△B				
△C				



1. MATERIAL :
  - 1-1. SHELL : BRASS.
  - 1-2. O-Ring : NBR ; COLOR : BLACK.
2. FINISH :
  - 2-1. SHELL : NICKEL PLATED.

DRAWN	Jen Xie	APP'D	Emily Suen	UNIT	mm	TOLERANCE		广东科斯达电子科技有限公司 GUANG DONG KE SI DA ELECTRONIC TECHNOLOGY CO., LTD.	TITLE	M23 防尘盖			SHEET	1
CHK'D	Emily Suen			SCALE	1:1	.x ±0.10 .xx ±0.05 .xxx ±0.03 .xxxx ±0.01 ANGULA ±1°			PART NO.	NY-WP471	DWG NO.	QC5854	VERSION	A