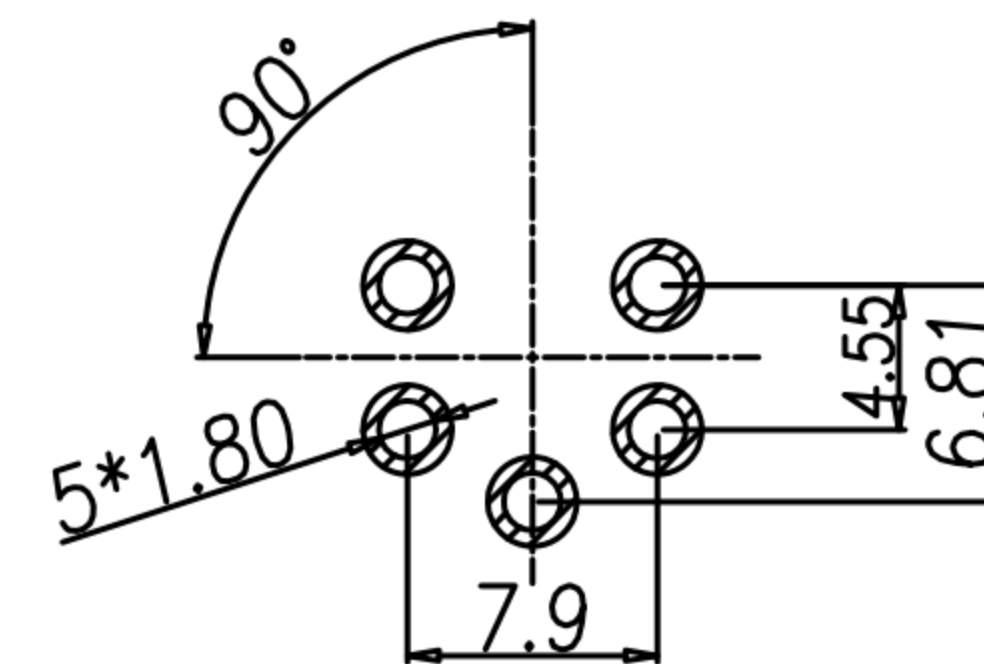
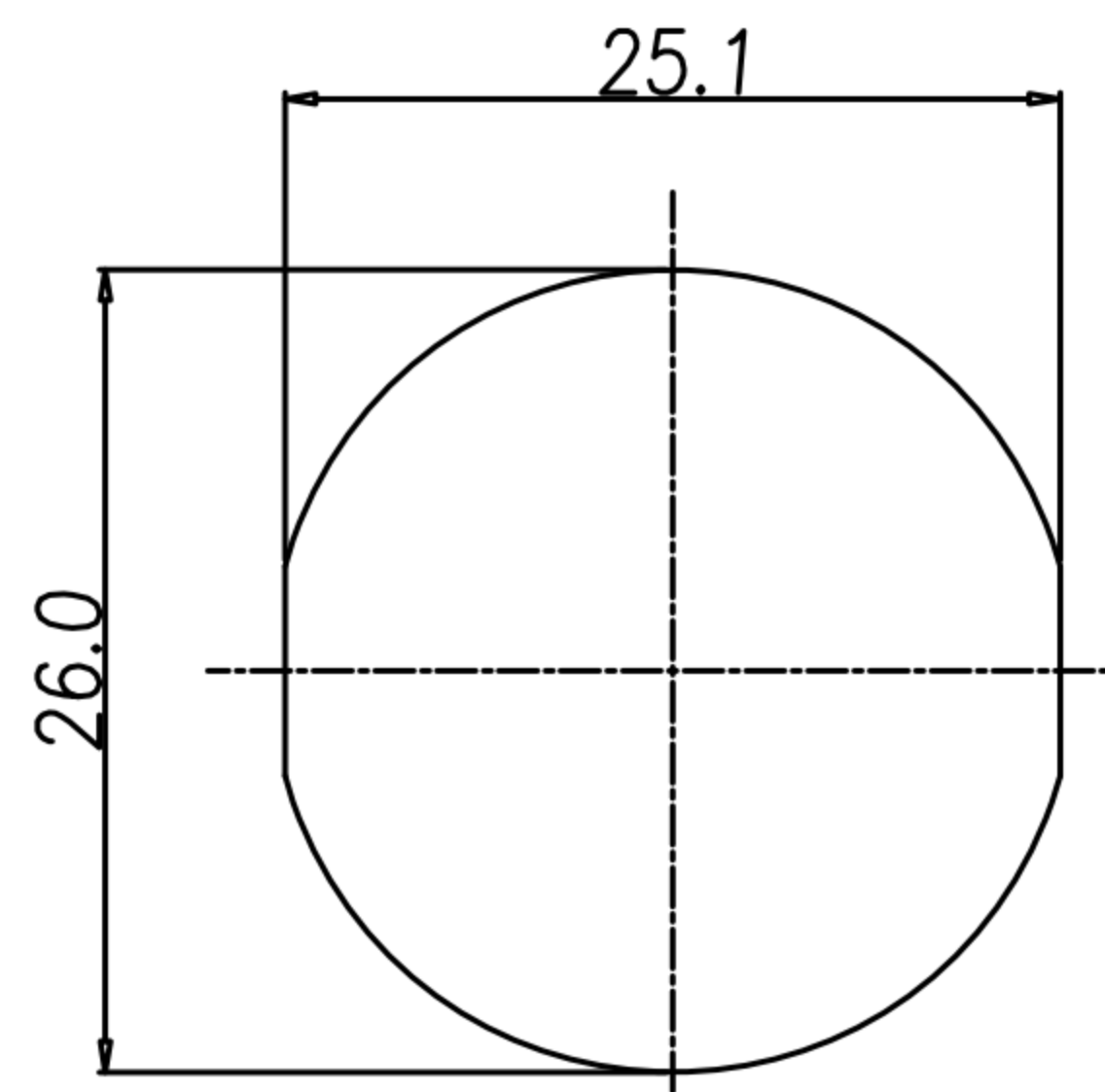
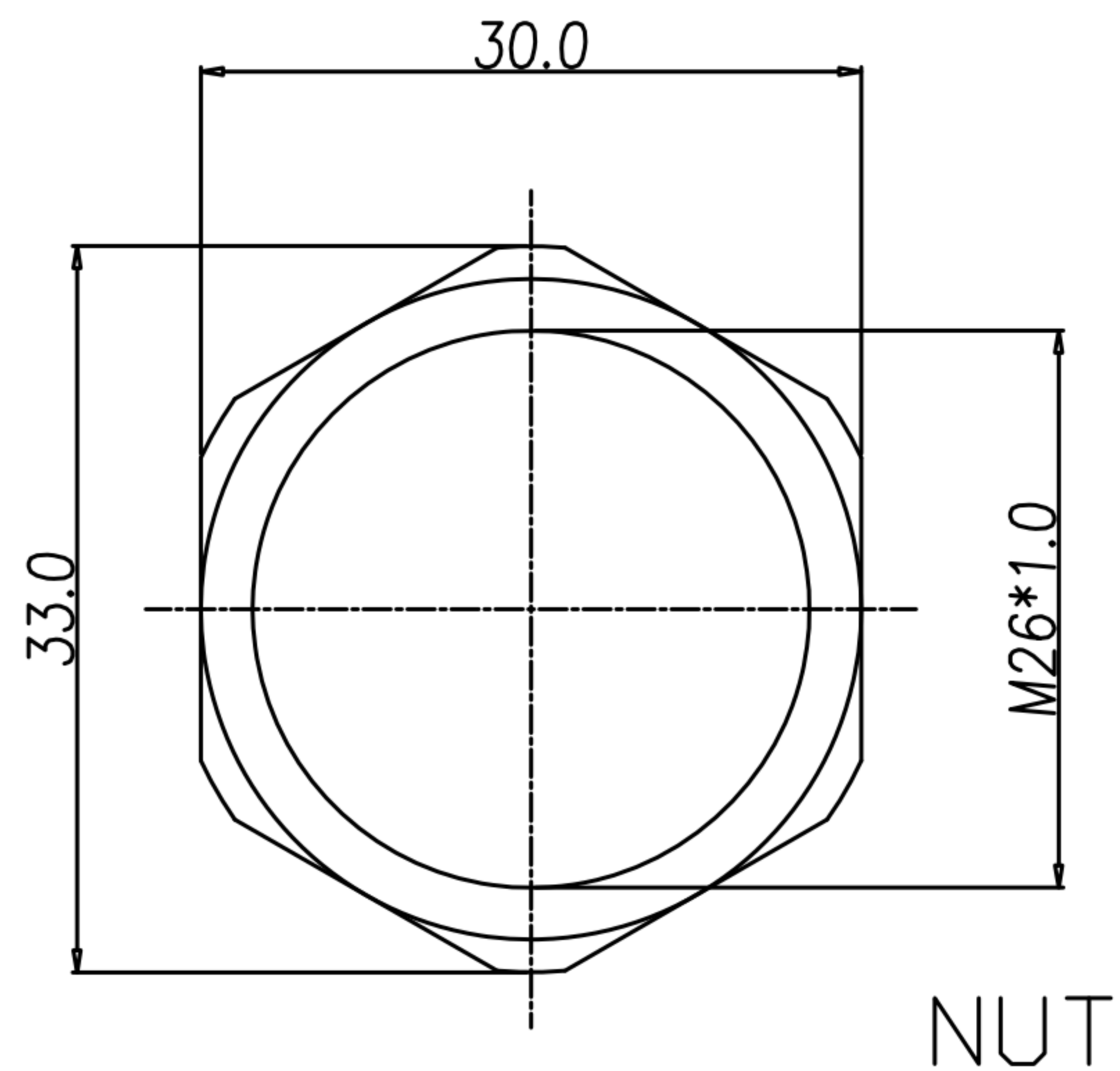
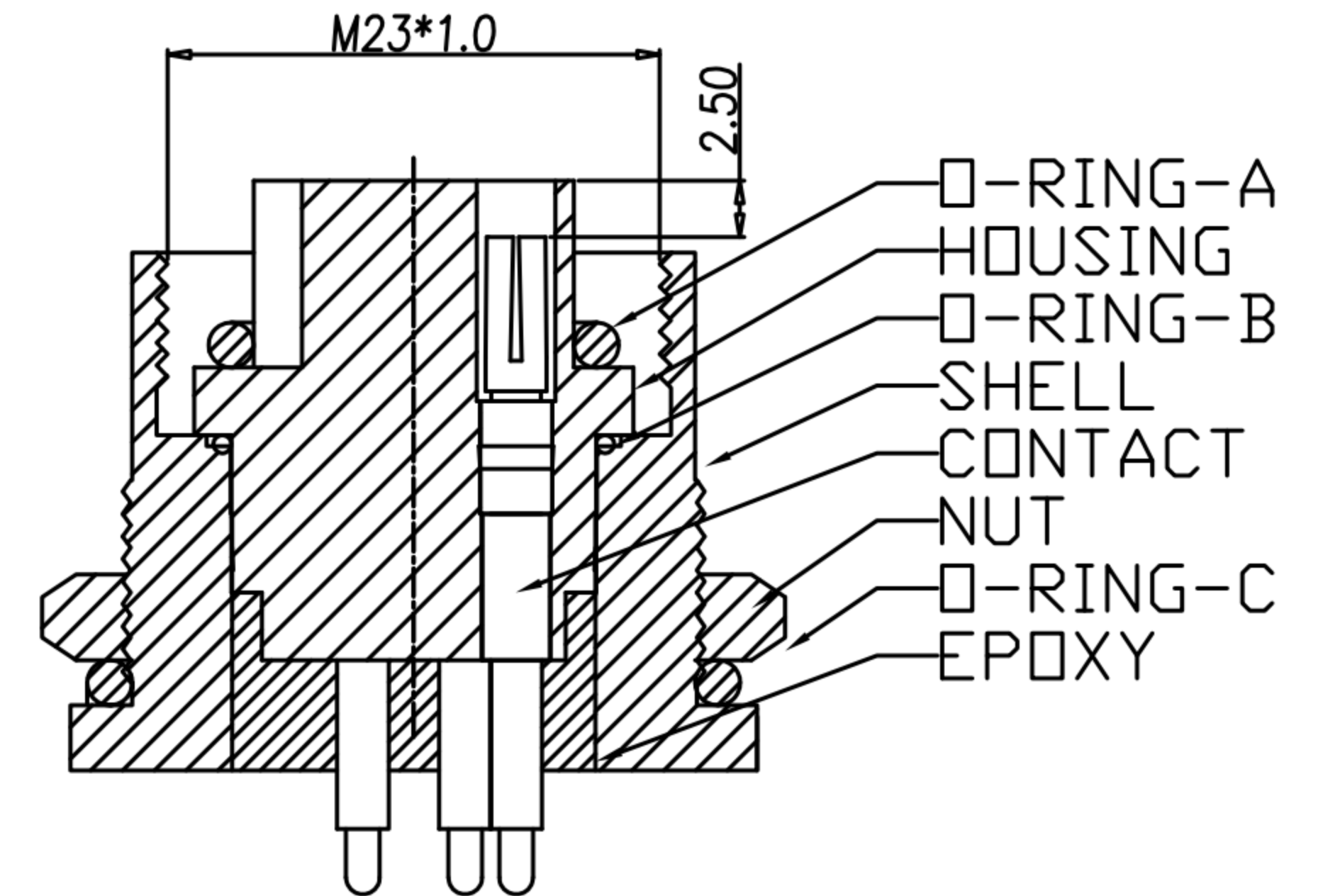
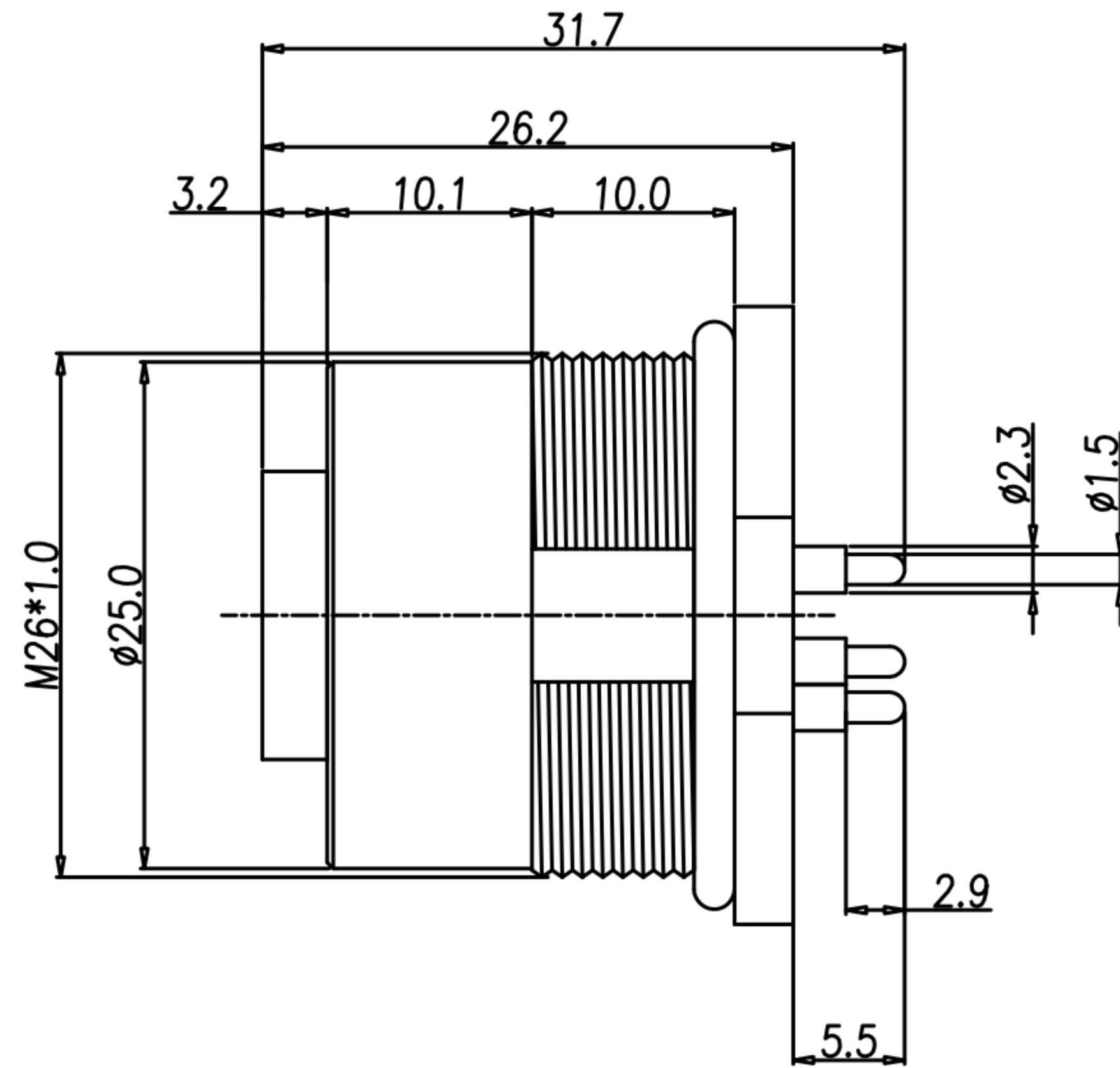
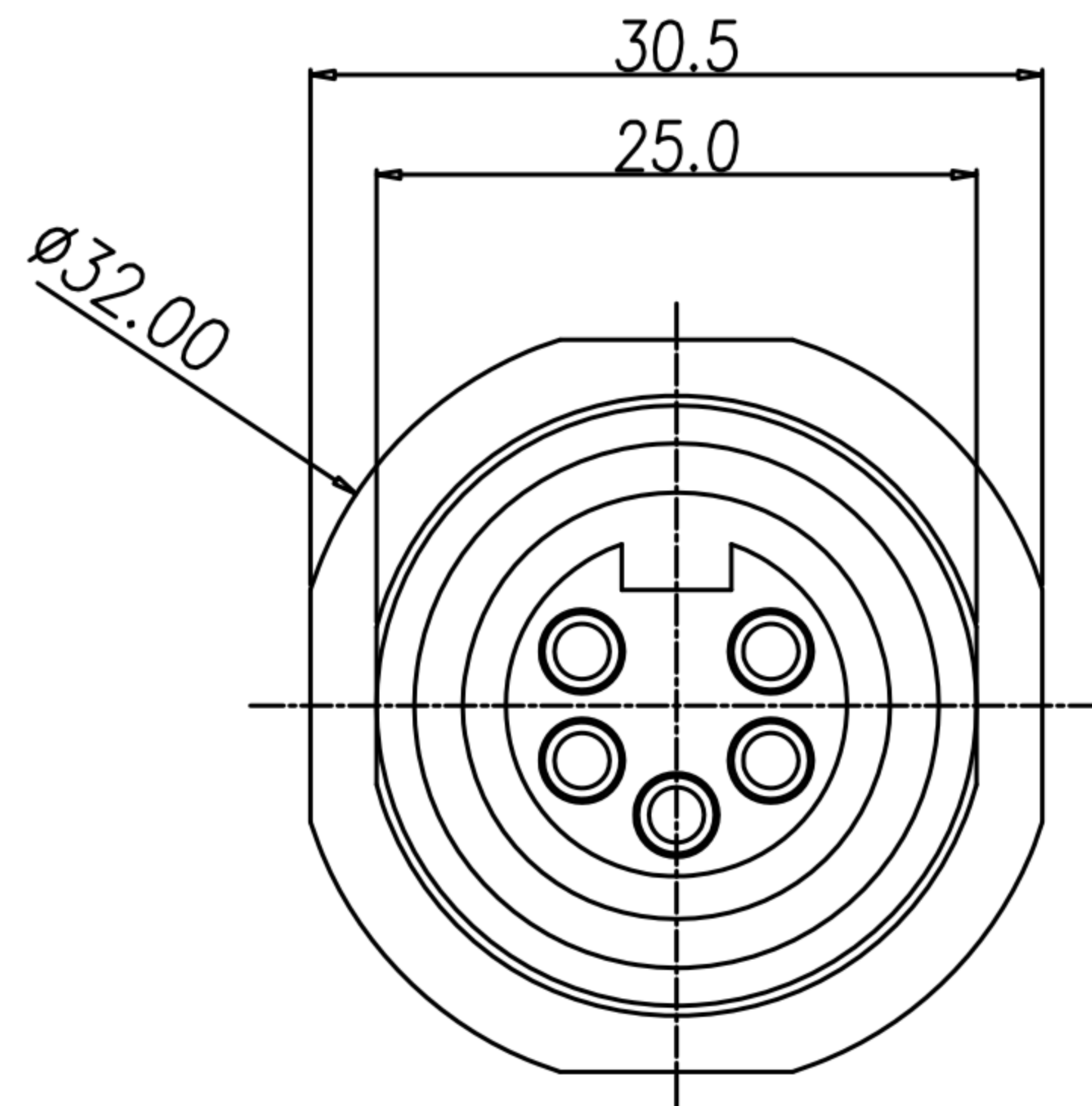


CUSTOMER DRAWING

REV.	DESCRIPTION	APPROVED BY	DATE	ECN NO.
△A	RELEASE	Fido Weng	04/03/10*	
△B	CHANGE & DIN	Fido Weng	29/12/10*	ECN11001
△C				



- MATERIAL :
 - 1-1. HOUSING : PBT UL94V-0 ; COLOR : YELLOW
 - 1-2. CONTACT : BRASS
 - 1-3. SHELL : ALUMINUM
 - 1-4. NUT : ALUMINUM
 - 1-5. O-RING-A : NBR; COLOR : BLACK
 - 1-6. O-RING-B : NBR; COLOR : BLACK
 - 1-7. O-RING-C : NBR; COLOR : BLACK
- FINISH :
 - 2-1. CONTACT : 30 MICRO INCHES MIN. GOLD PLATED
 - 2-2. SHELL : NICKEL PLATED OVER ALL
 - 2-3. NUT : NICKEL PLATED OVER ALL
- ELECTRICAL SPECIFICATION :
 - 3-1. Rated current : 20A
 - 3-2. Rated voltage : 250V
 - 3-3. Water proof : IP67
- Environmental :
 - 4-1. Operation Temperature : -20 ℃~85℃

RECOMMEND PANEL CUT-OUT

RECOMMEND P.C.B LAYOUT

NUT

DRAWN	Ku Chou	APP'D	Emily Suen	UNIT	mm	TOLERANCE		广东科斯达电子科技有限公司 GUANG DONG KE SI DA ELECTRONIC TECHNOLOGY CO., LTD.	TITLE	防水头 M23 5PIN(F)前鎖插件式			SHEET	1
CHK'D	Emily Suen			SCALE	1:1	.x ±0.20 .xx ±0.10 .xxx ±0.05 .xxxx ±0.03 ANGULA ±1°			PART NO.	WP-05F2-48	DWG NO.	QC4673	VERSION	B