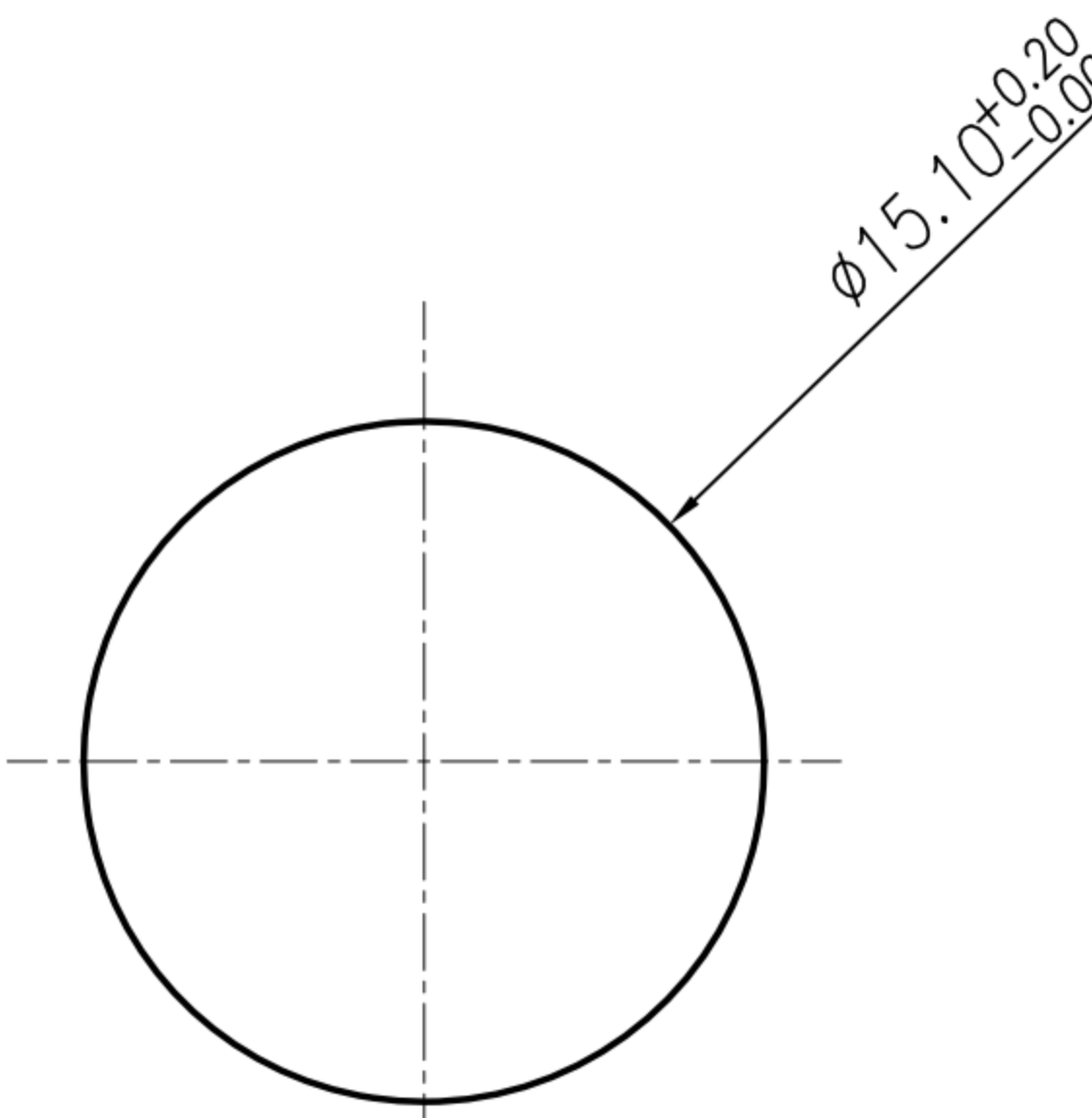
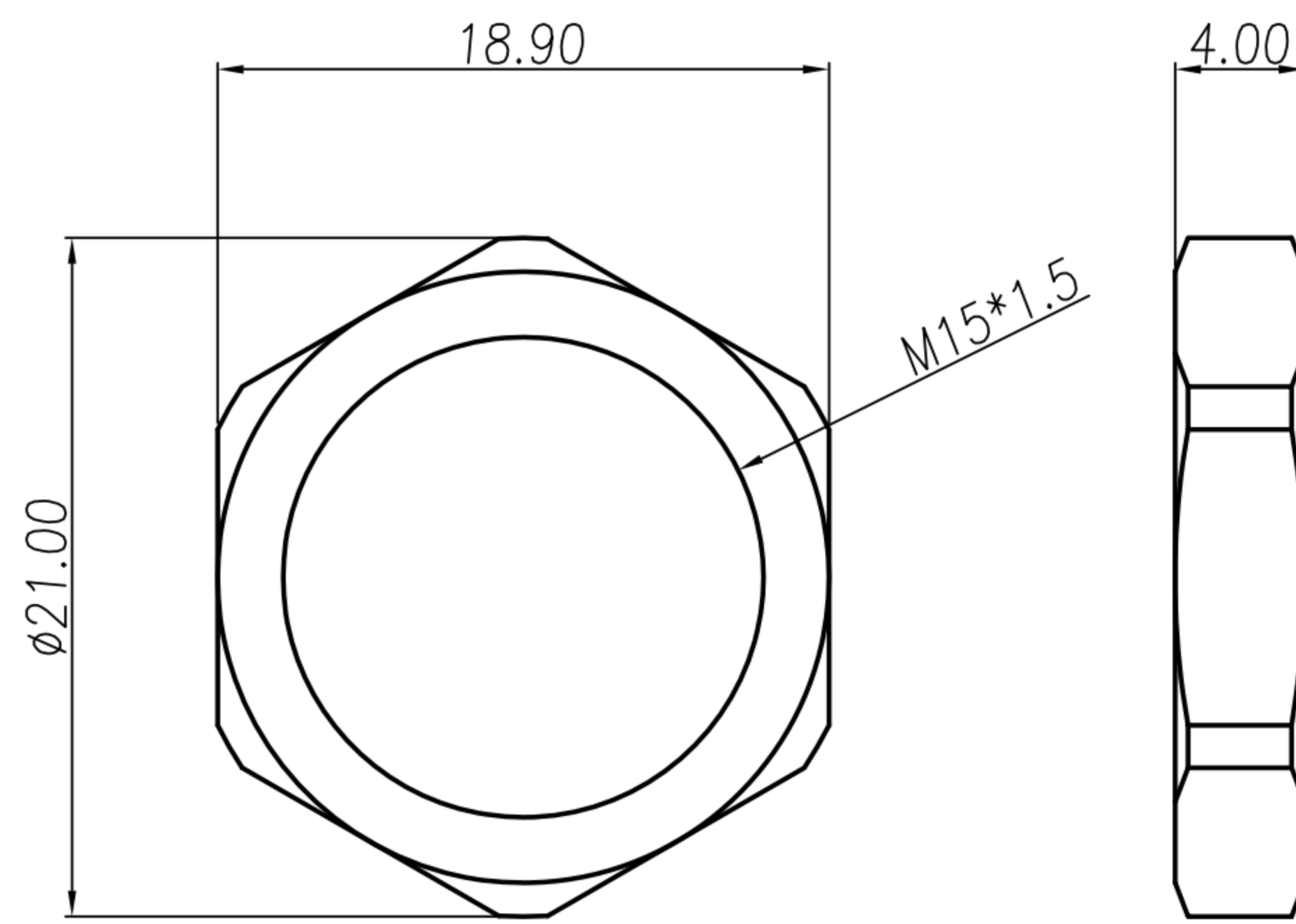
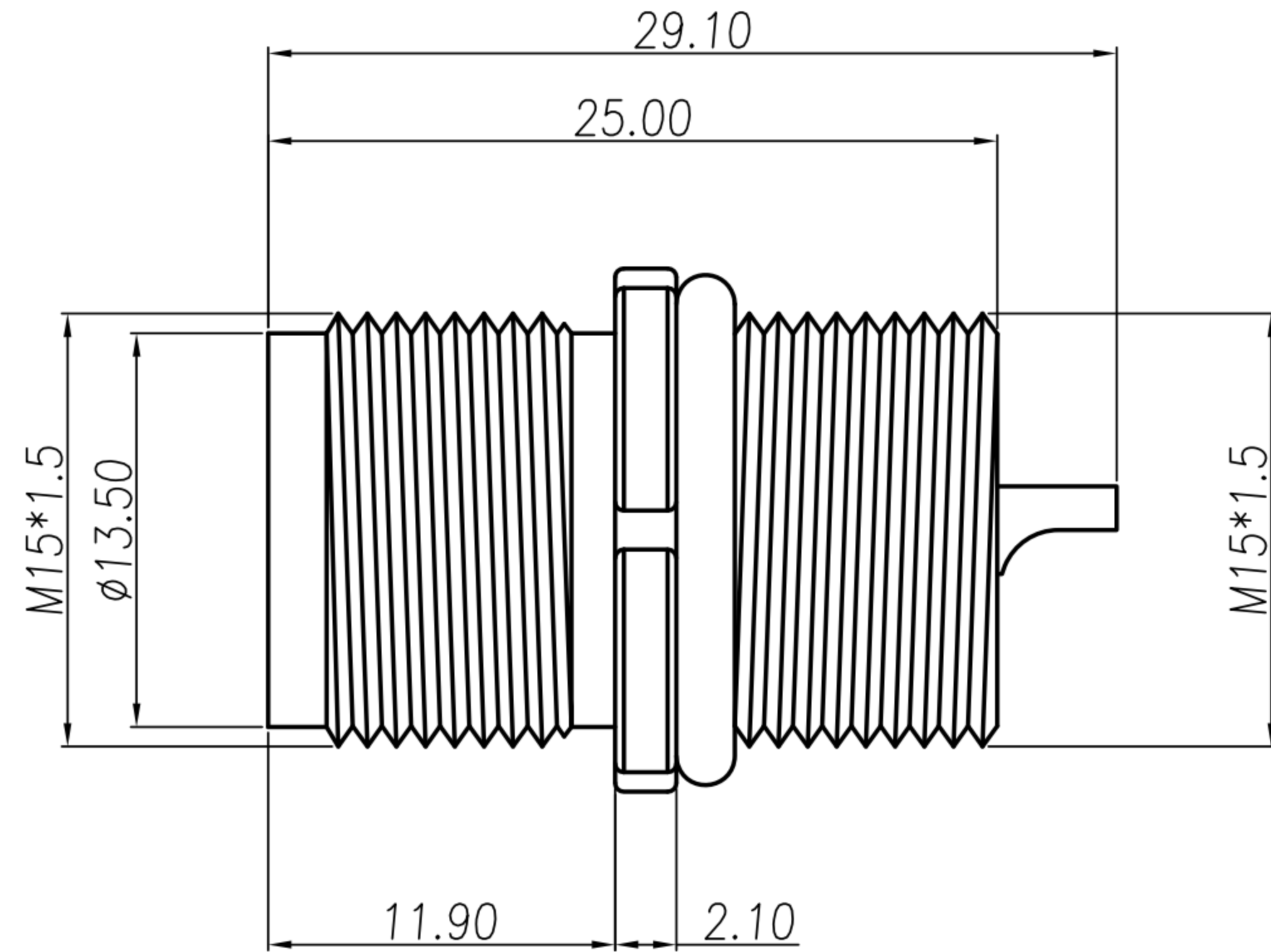
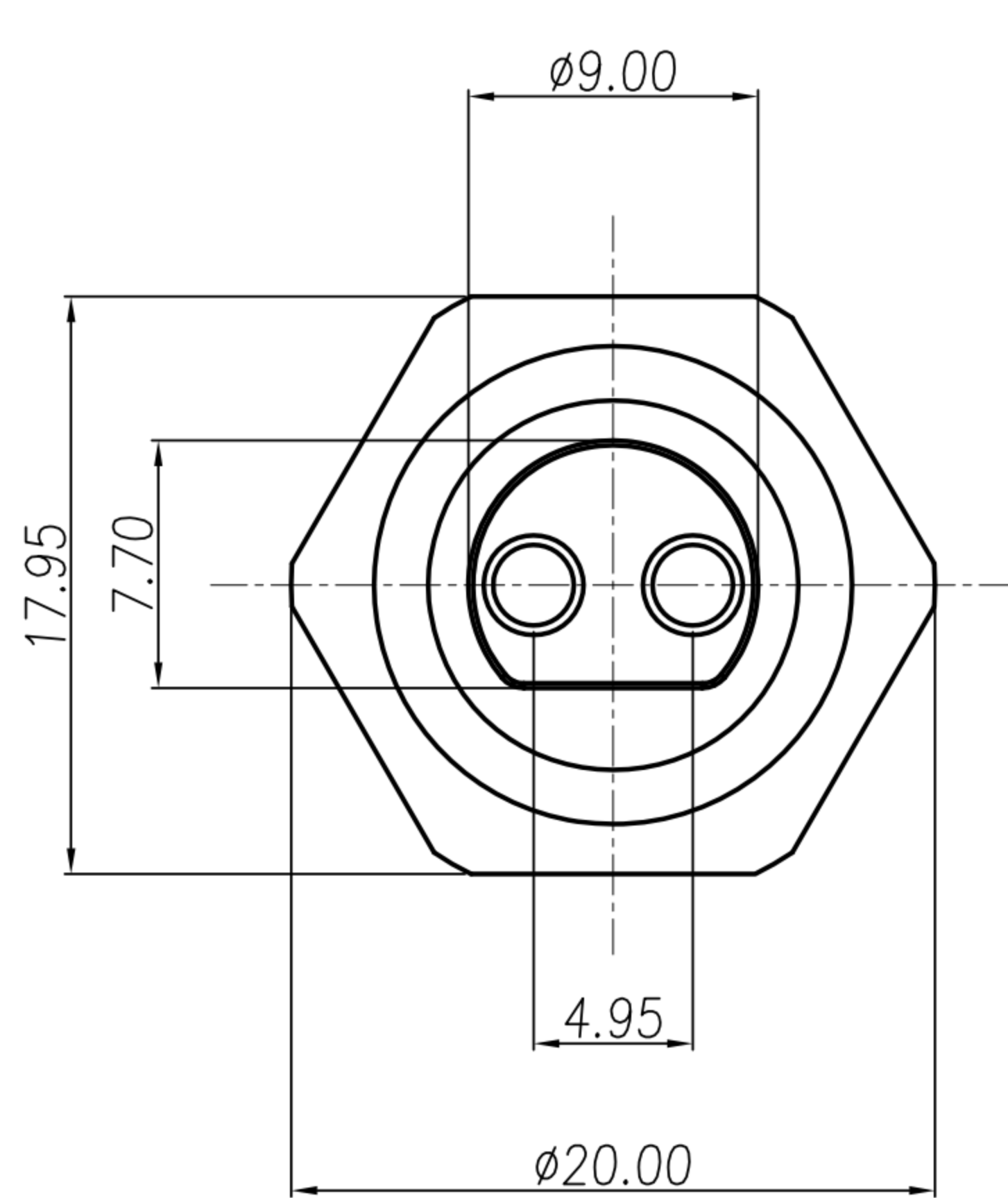


CUSTOMER DRAWING

| REV. | DESCRIPTION | APPROVED BY | DATE | ECN NO. |
|------|-------------|-------------|-----------|---------|
| A | RELEASE | KU CHOU | 17/11/10* | |
| B | | | | |
| C | | | | |



NUT

RECOMMEND PANEL CUT-OUT

1. MATERIAL :
 - 1-1. HOUSING : PA66 UL94V-2 ; COLOR : BLACK
 - 1-2. CONTACT : BRASS
 - 1-3. NUT : PA66 UL94V-2 ; COLOR : BLACK.
 - 1-4. O-RING : EPDM ; COLOR : BLACK.
2. FINISH :
 - 2-1. CONTACT : NICKEL PLATED.
3. ELECTRICAL SPECIFICATION :
 - 3-1. Rated current : 15A
 - 3-2. Rated Voltage : 250V
 - 3-3. Water proof : IP67
4. Environmental :
 - 4-1. Operation Temperature : -40℃~85℃

| | | | | | | | | | | | | | | |
|-------|------------|-------|---------|-------|-----|------------------------------------------------------------------|--|----------------------------------------------------------------------|----------|-------------------------------|---------|--------|---------|--|
| DRAWN | EMILY SUEN | APP'D | KU CHOU | UNIT | mm | TOLERANCE | | 广东科斯达电子科技有限公司 GUANG DONG KE SI DA ELECTRONIC TECHNOLOGY CO., LTD. | TITLE | 防水頭 M15 2P (F) 後鎖 M15*1.5 螺絲式 | | | SHEET | |
| CHK'D | KU CHOU | | | SCALE | 1:1 | .x ±0.20 .xx ±0.10 .xxx ±0.05 .xxxx ±0.03 ANGULA ±1° | | | PART NO. | WP-02F2-27-11 | DWG NO. | QC6730 | VERSION | |