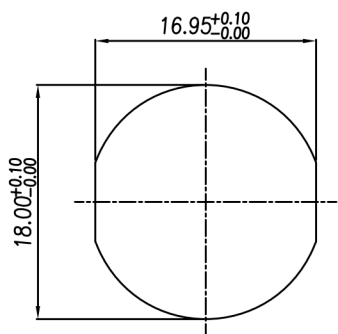
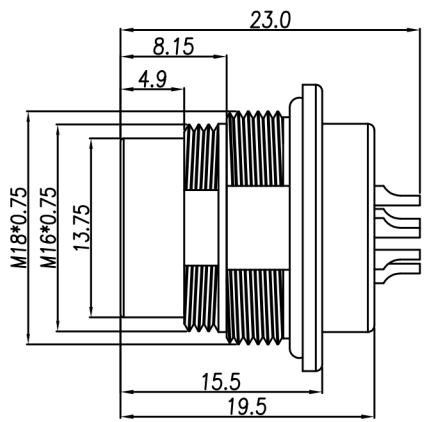
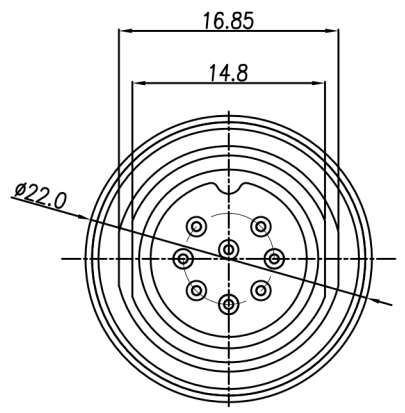
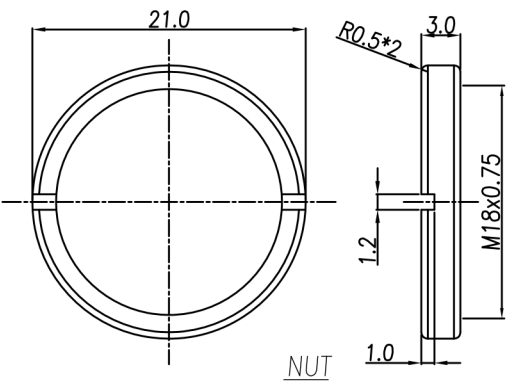


CUSTOMER DRAWING

REV.	DESCRIPTION	APPROVED BY	DATE	ECN NO.
A				
B				
C				
D				



RECOMMEND PANEL CUT-OUT



- MATERIAL :
  - 1-1. HOUSING : PA66 ; COLOR : BLACK.
  - 1-2. CONTACT : BRASS
  - 1-3. NUT : BRASS
  - 1-4. O-RING : EPDM ; COLOR : BLACK
  - 1-5. SHELL : BRASS.
- FINISH :
  - 2-1. CONTACT : GOLD FLASH MICRO INCHES MIN. UNDER PLATE : NICKEL
  - 2-2. NUT : NICKEL PLATED
  - 2-3. SHELL : NICKEL PLATED
- ELECTRICAL SPECIFICATION :
  - 3-1. Rated current :3~8P 5A;12~14P 3A
  - 3-2. Rated Voltage :3~8P 250V;12~14P 60V
  - 3-3. Water proof: IP67
- Environmental :
  - 4-1. Operation Temperature : -40℃~85℃

DI-03M2-15-11	DI-04M2-24-11	DI-05M2-24-11	05-A	DI-06M2-22-11	DI-07M2-23-11	DI-07M2-24-11	DI-08M2-23-11	12P	13P	14P

DRAWN	LEO	APPEND	Emily Suen	UNIT	mm	TOLERANCE		TITLE	DIN M16 (M) 前鎖M18焊線式			SHEET
CHK'D	Emily Suen			SCALE	1:1	.x ±0.20 .xx ±0.10 .xxx ±0.05 .xxxx ±0.03 ANGULA ±1°		PART NO.	SEE TABLE A	DWG NO.	QC9554	VERSION

广东科斯达电子科技有限公司  
GUANG DONG KE SI DA ELECTRONIC TECHNOLOGY CO., LTD.