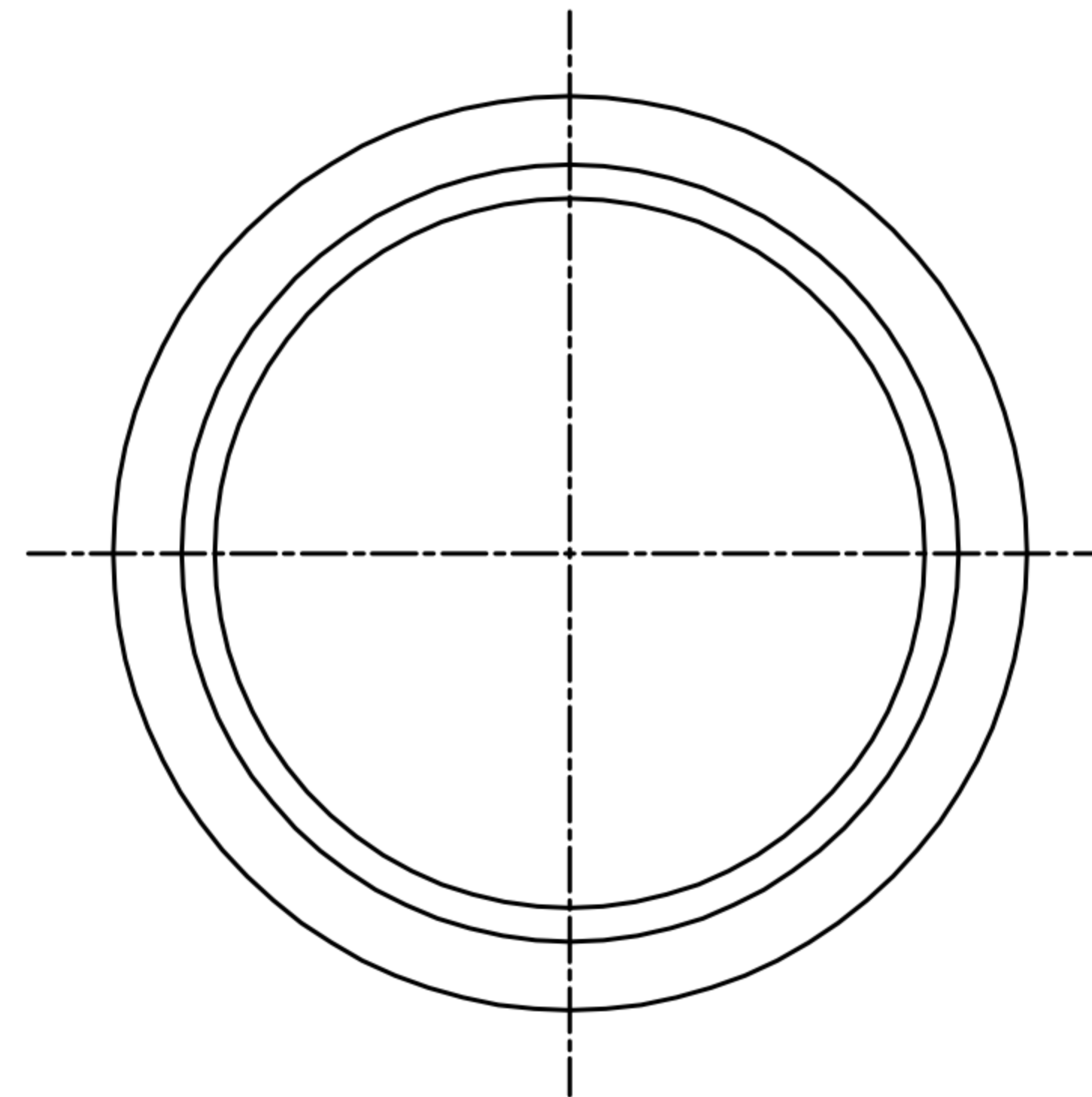
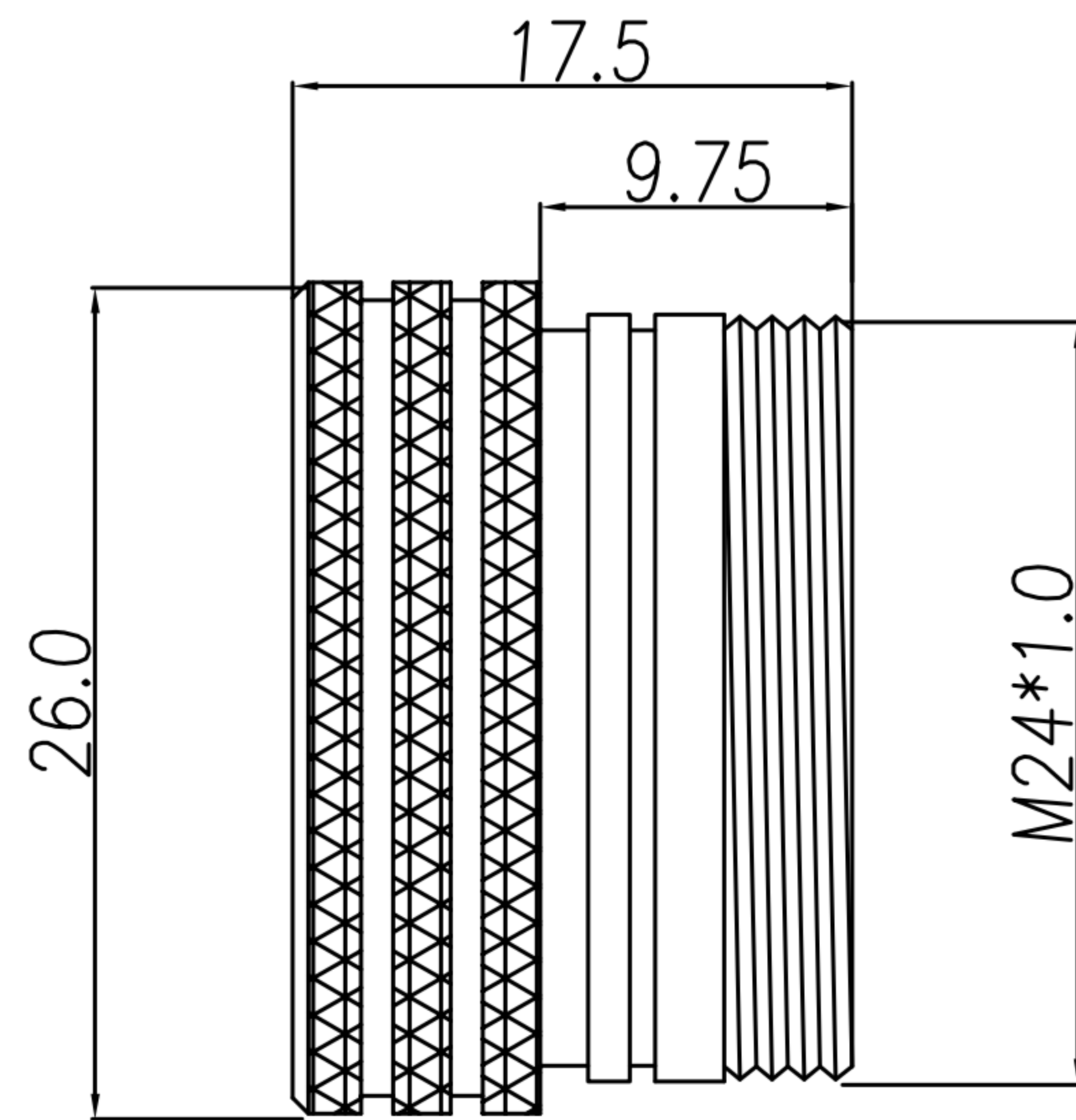
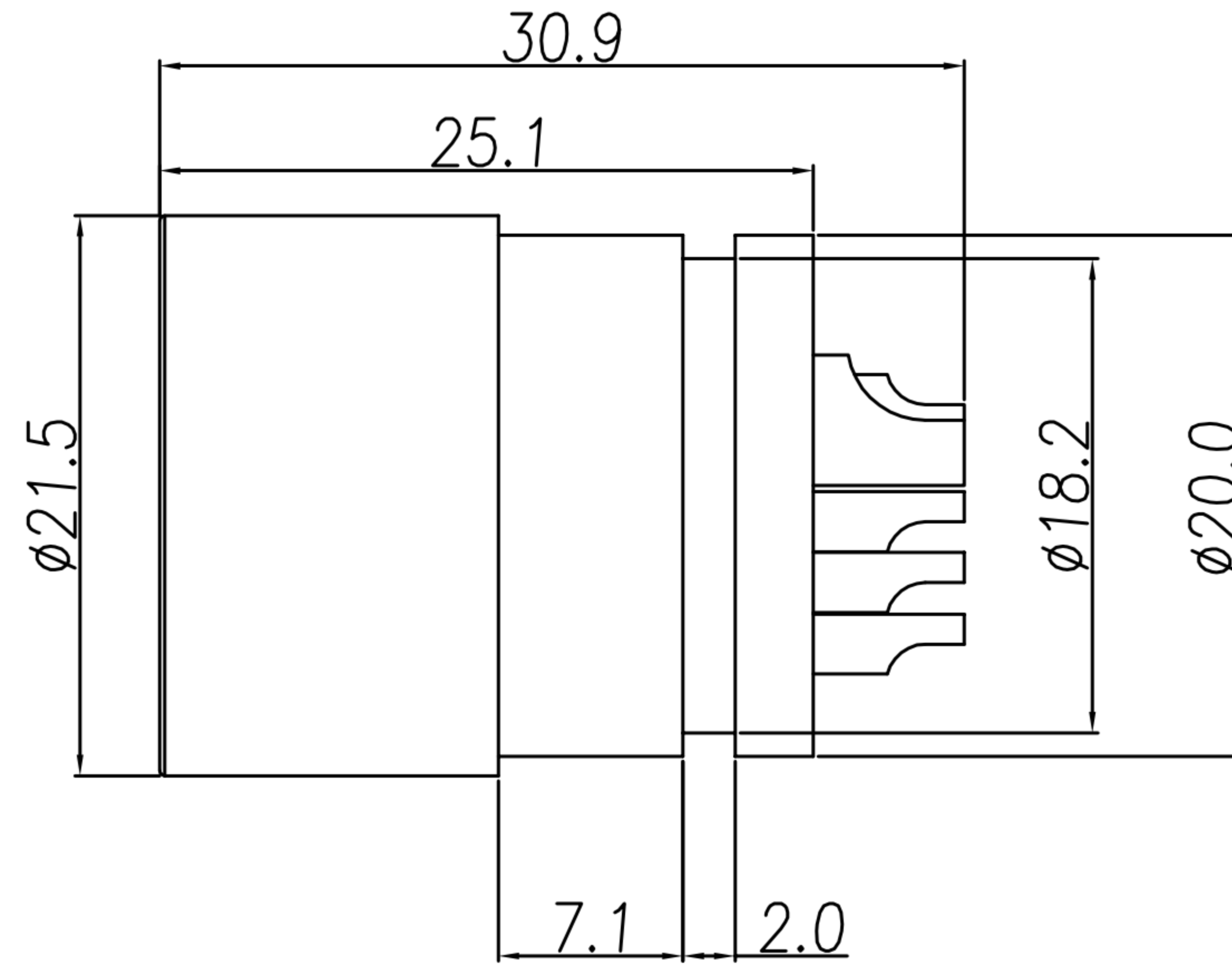
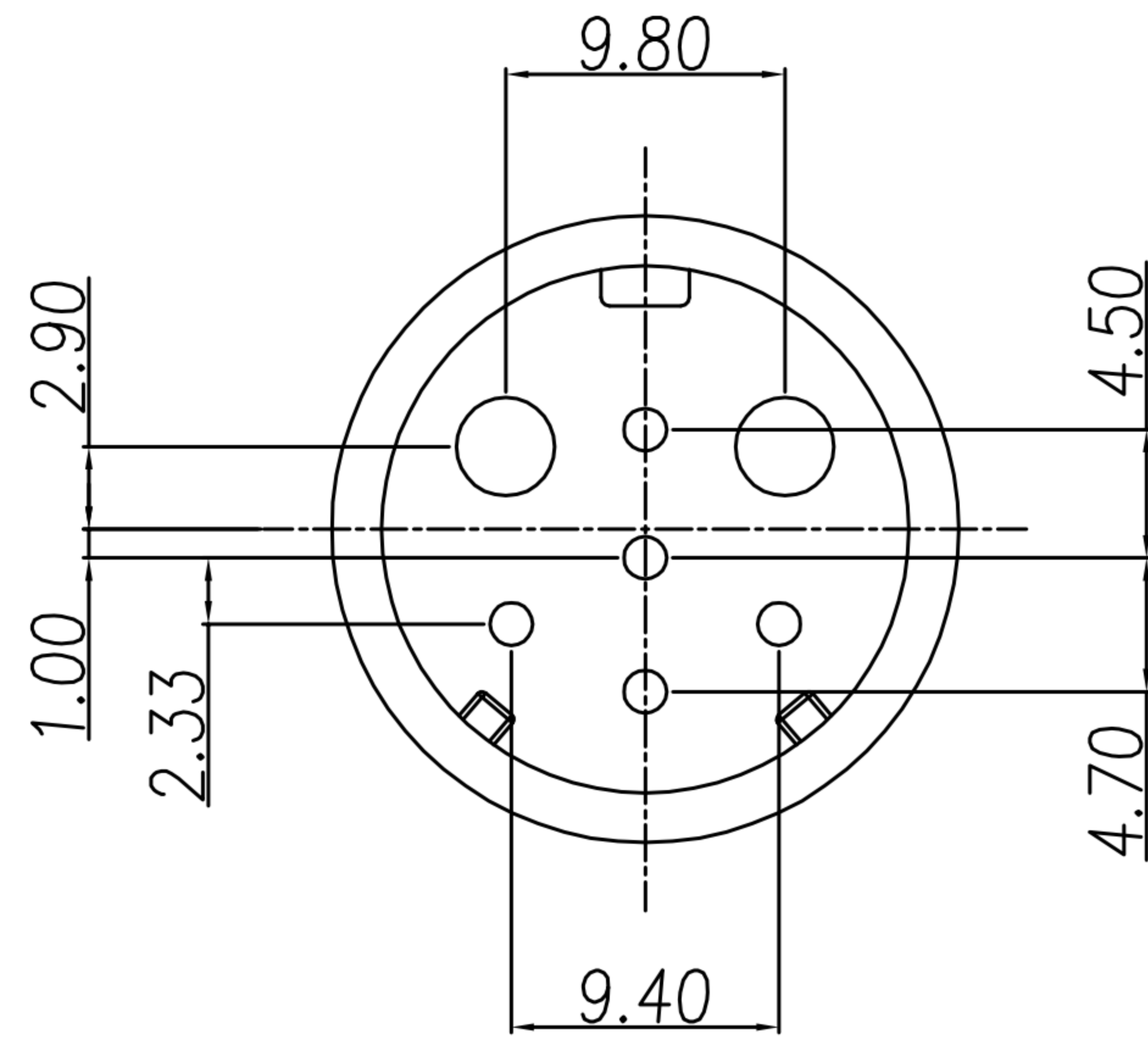


CUSTOMER DRAWING

REV.	DESCRIPTION	APPVL. BY	DATE	ECN NO.
△A	RELEASE	Fido Weng	08/04/13*	
△B				
△C				



1. MATERIAL :
 - 1-1. HOUSING : PBT UL94V-0 ; COLOR : BLACK
 - 1-2. CONTACT : BRASS
 - 1-3. NUT : BRASS
2. FINISH :
 - 2-1. CONTACT : GOLD FLASH MICRO INCHES MIN.
UNDER PLATE : NICKEL
 - 2-2. NUT : NICKEL PLATED.
3. ELECTRICAL SPECIFICATION :
 - 3-1. Rated current : 7.5A & 25A
 - 3-2. Rated Voltage : 125V & 500V
 - 3-3. Water proof : IPX7
4. Environmental :
 - 4-1. Operation Temperature : -40℃~85℃

NUT

DRAW	Ku Chou	APPVL	Emily Suen	UNIT	mm	TOLERANCE .x ±0.20 .xx ±0.10 .xxx ±0.05 .xxxx ±0.03 ANGULA ±1°		广东科斯达电子科技有限公司 GUANG DONG KE SI DA ELECTRONIC TECHNOLOGY CO., LTD.	TITLE	防水頭 M24 7PIN(M) 線端焊線式(2粗5細)			SHEET	1
CHECK	Ku Chou			SCALE	1:1				PART NO.	WP-07M2-15-11	DWG NO.	QC9073	VERSION	A