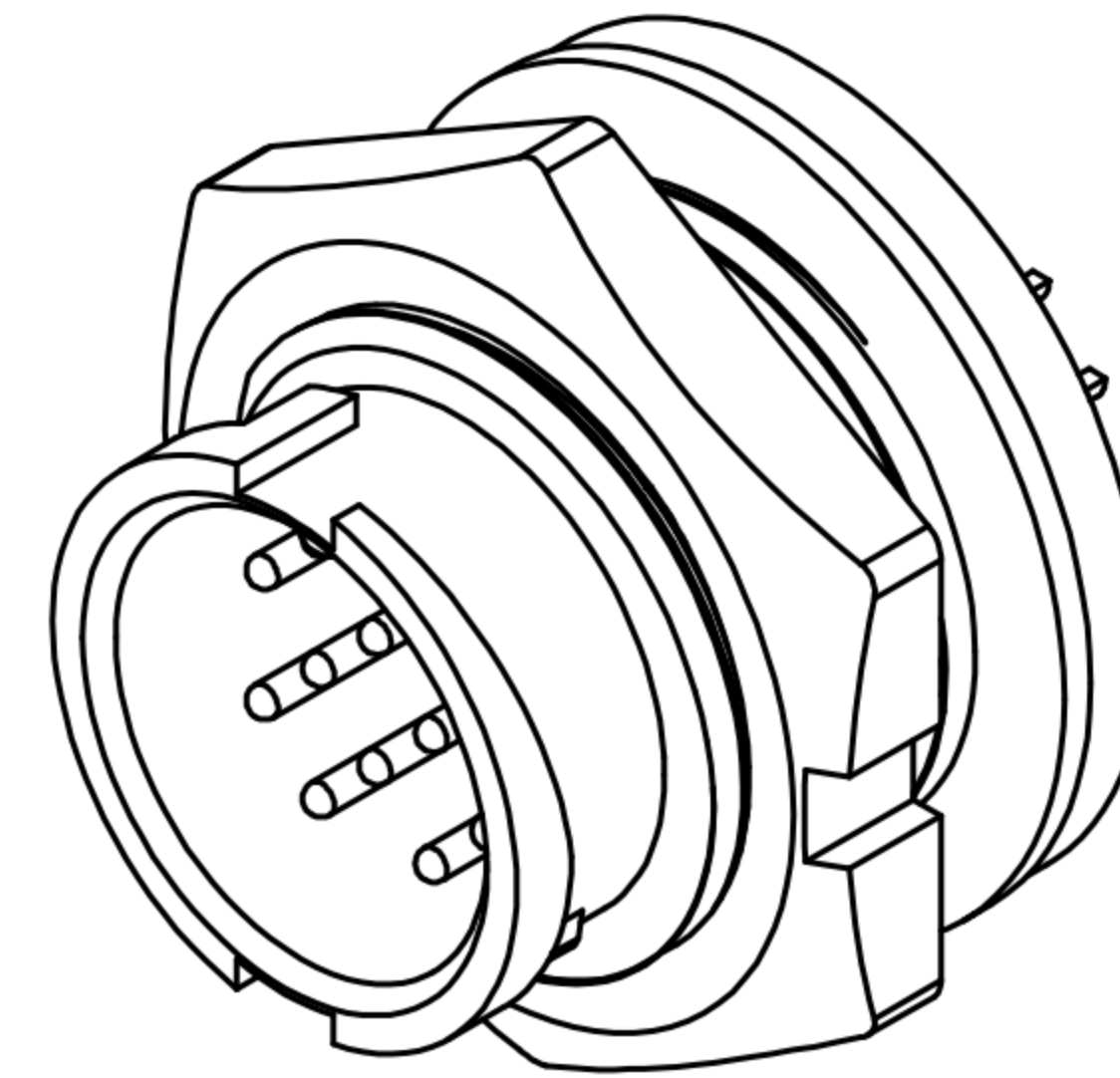


CUSTOMER DRAWING

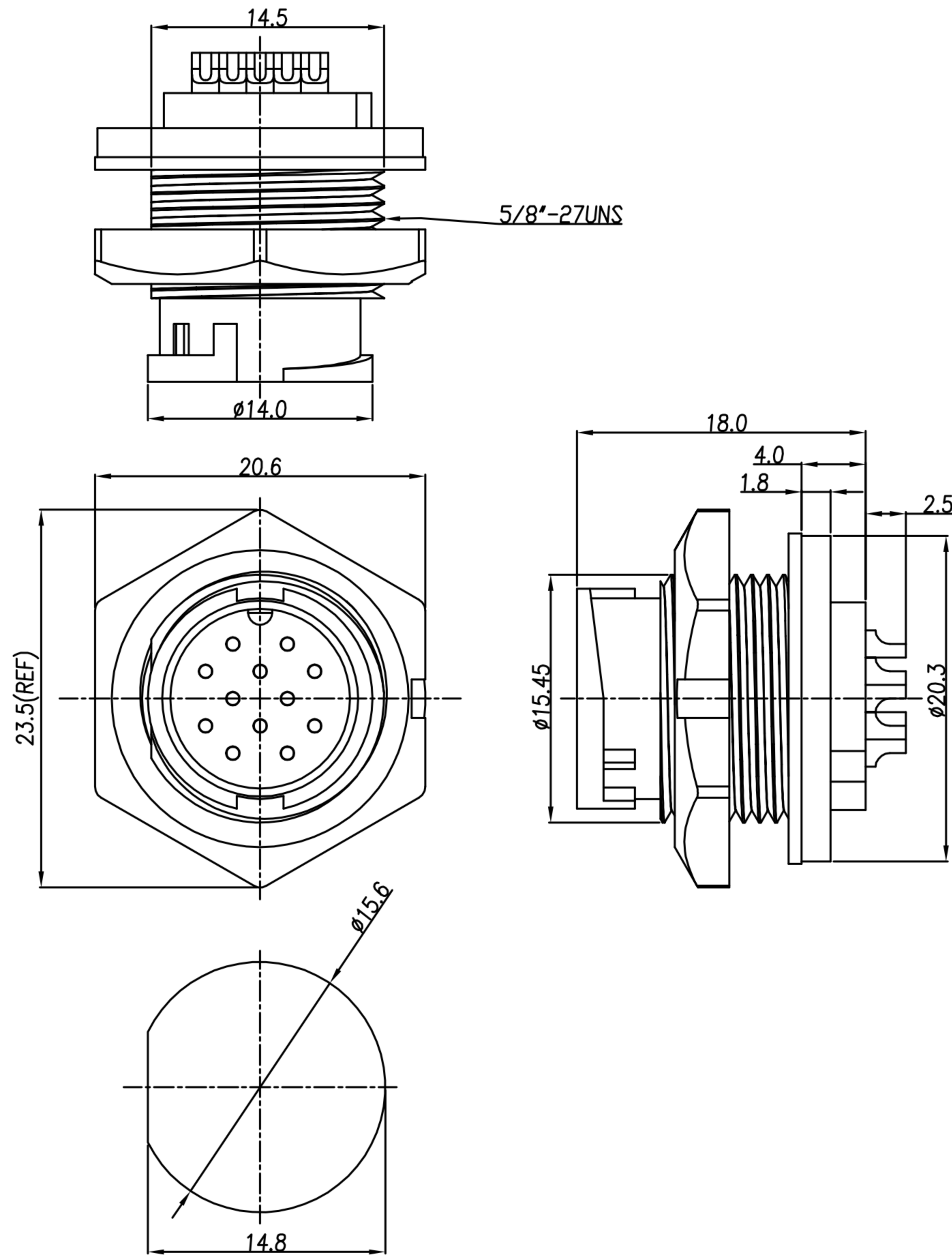
REV.	DESCRIPTION	APPROVED BY	DATE	ECN NO.
A	RELEASE	Ku Chou	25/06/18'	
B				
C				

TABLE A

10 PIN	12 PIN
WP-10M2-14-11	WP-12M2-17-11 WP-12M2-28-11
WP-12M2-28-11	6u" GOLD PLATED/金6u"
WP-12M2-17-11	GOLD FLASH PLATED/镀金
WP-10M2-14-11	GOLD FLASH PLATED/镀金
P/N	FINISH



- MATERIAL :
 - HOUSING : PA66
 - CONTACT : BRASS
 - GASKET : SILICONE
 - HEX NUT : PA66
- FINISH :
 - CONTACT : SEE TABLE A
- ELECTRICAL SPECIFICATION :
 - Rated current : 2A
 - Rated voltage : 250V
 - Water proof : IP67
- Environmental :
 - Operation Temperature : -40℃~105℃



RECOMMENDED PANEL CUT-OUT

DRAWN	Emily Suen	APP'D	Ku Chou	UNIT	mm	TOLERANCE			TITLE	WP (M) (LOCK) B SIZE 前鎖焊線式			SHEET	1
CHK'D	Ku Chou			SCALE	1:1				PART NO.	SEE TABLE A	DWG NO.	QC8430	VERSION	A

广东科斯达电子科技有限公司
GUANG DONG KE SI DA ELECTRONIC TECHNOLOGY CO., LTD.