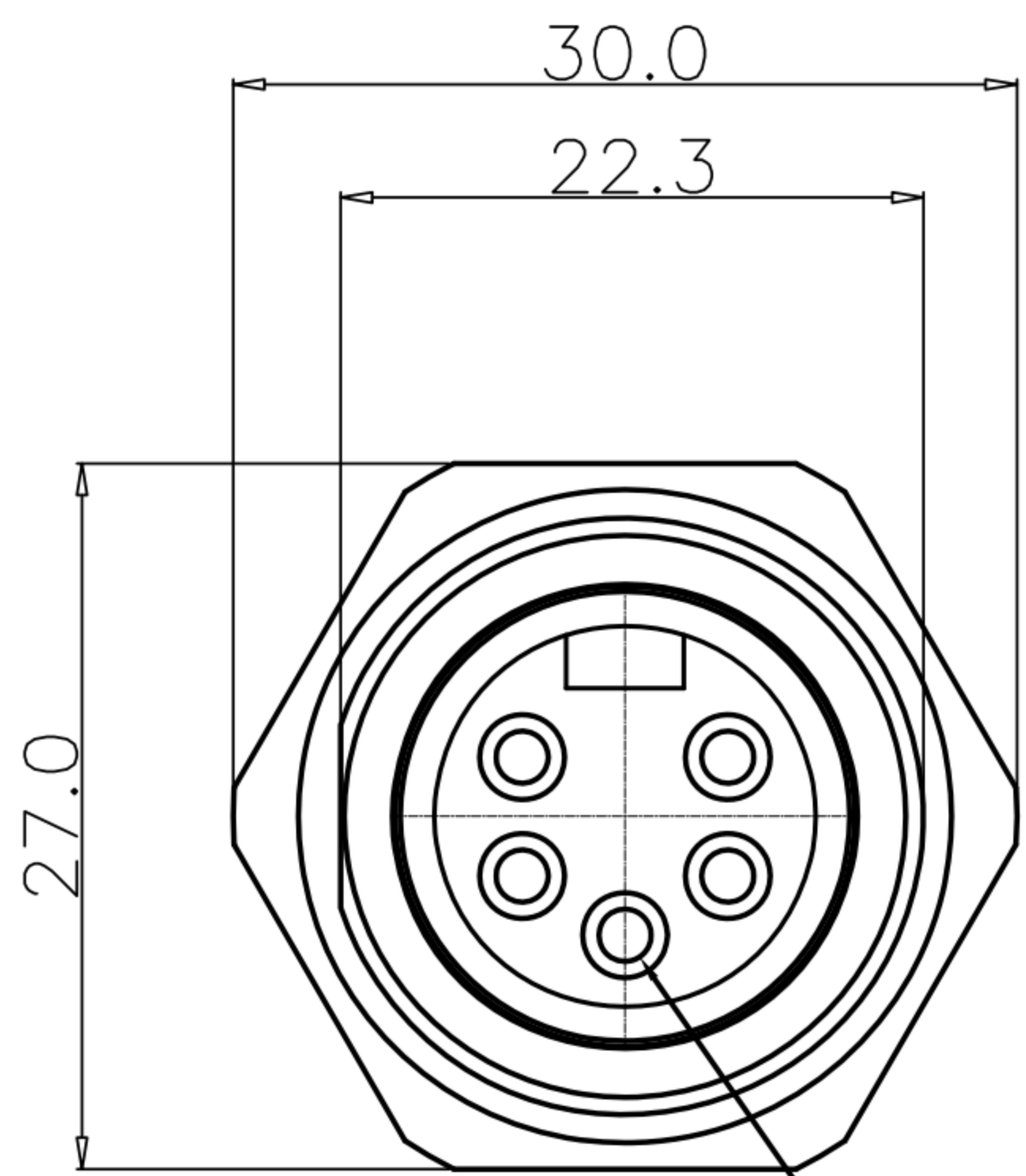
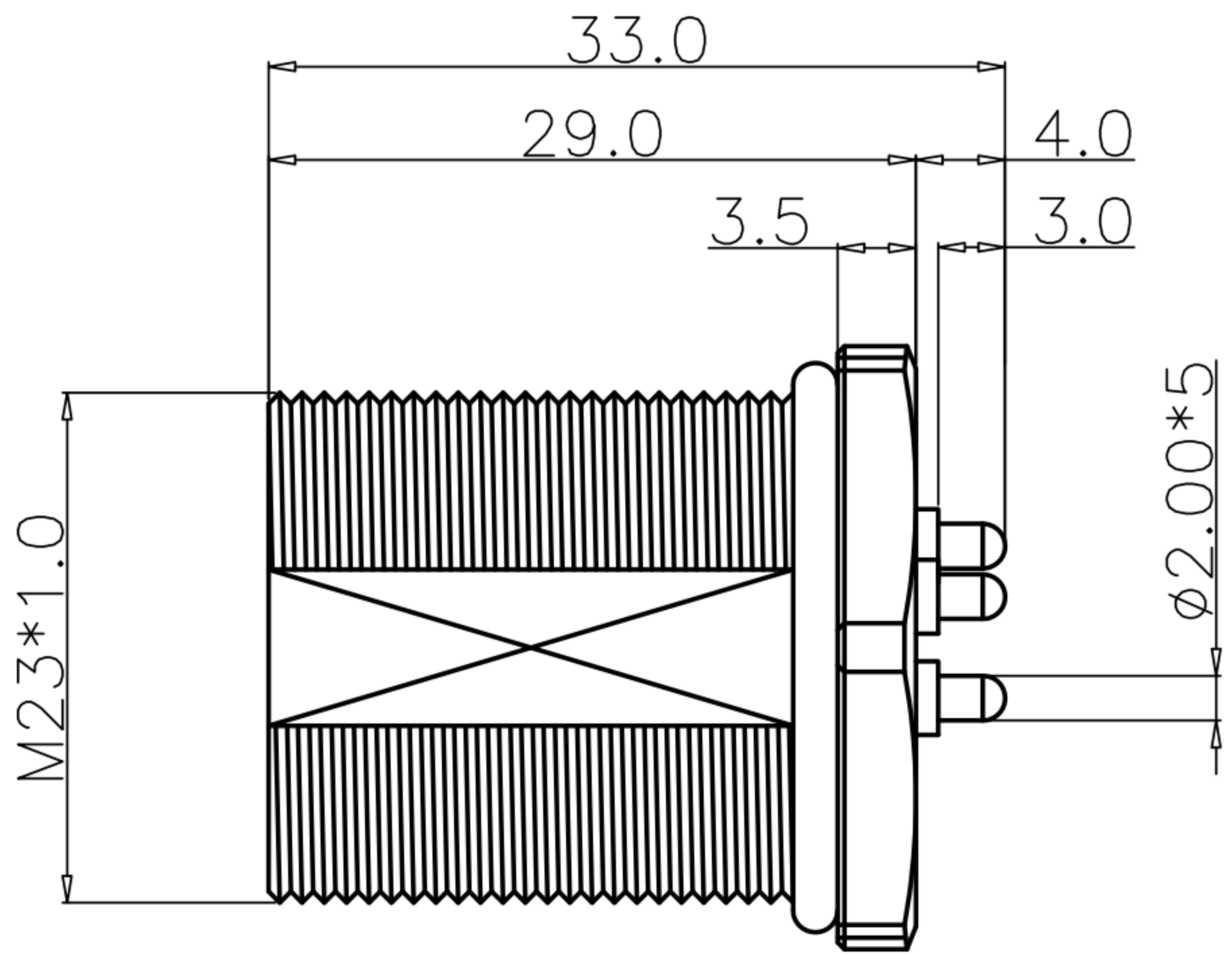


CUSTOMER DRAWING

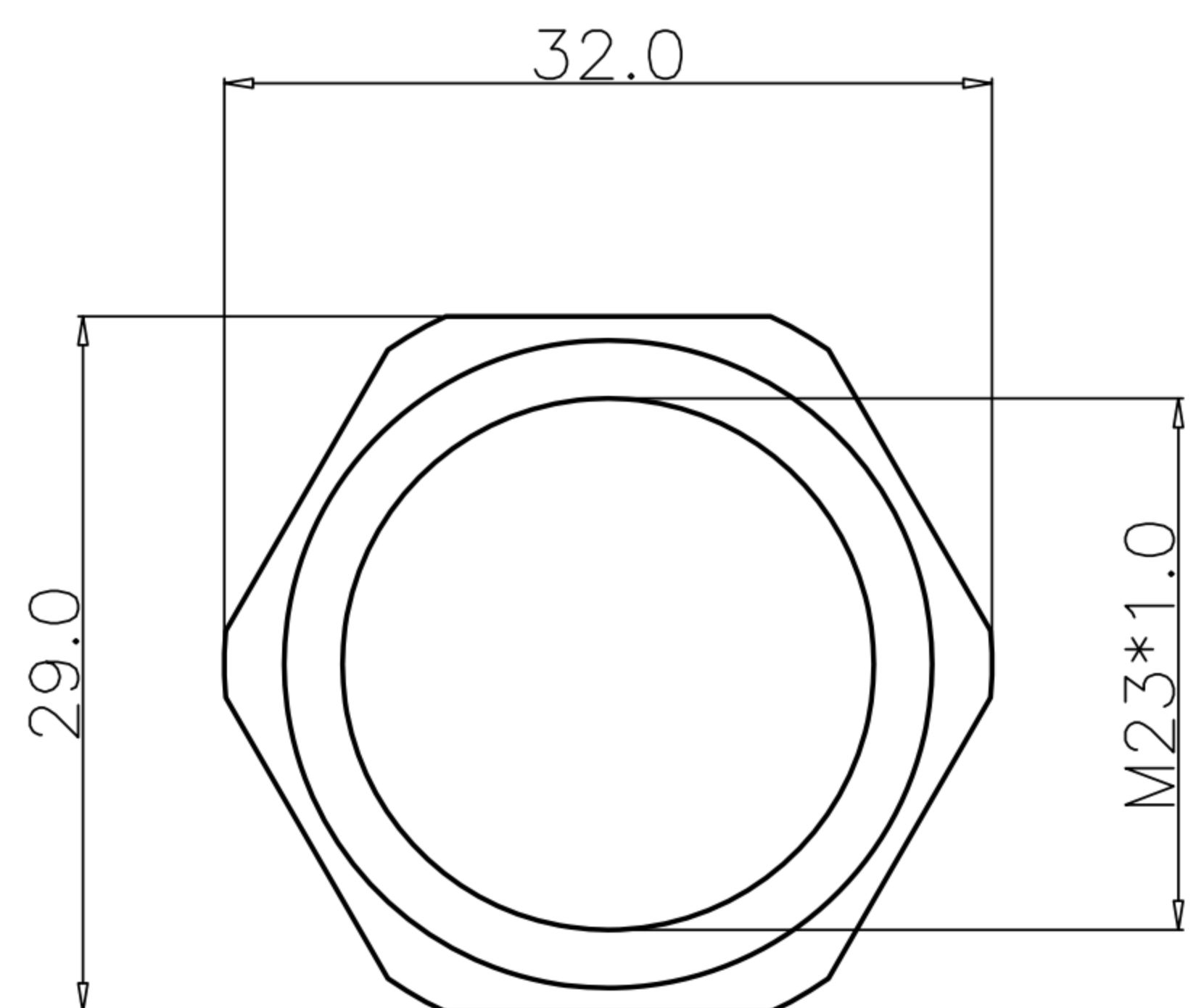
REV.	DESCRIPTION	APPROVED BY	DATE	ECN NO.
A	RELEASE	Fido Weng	27/10/11'	
B				
C				



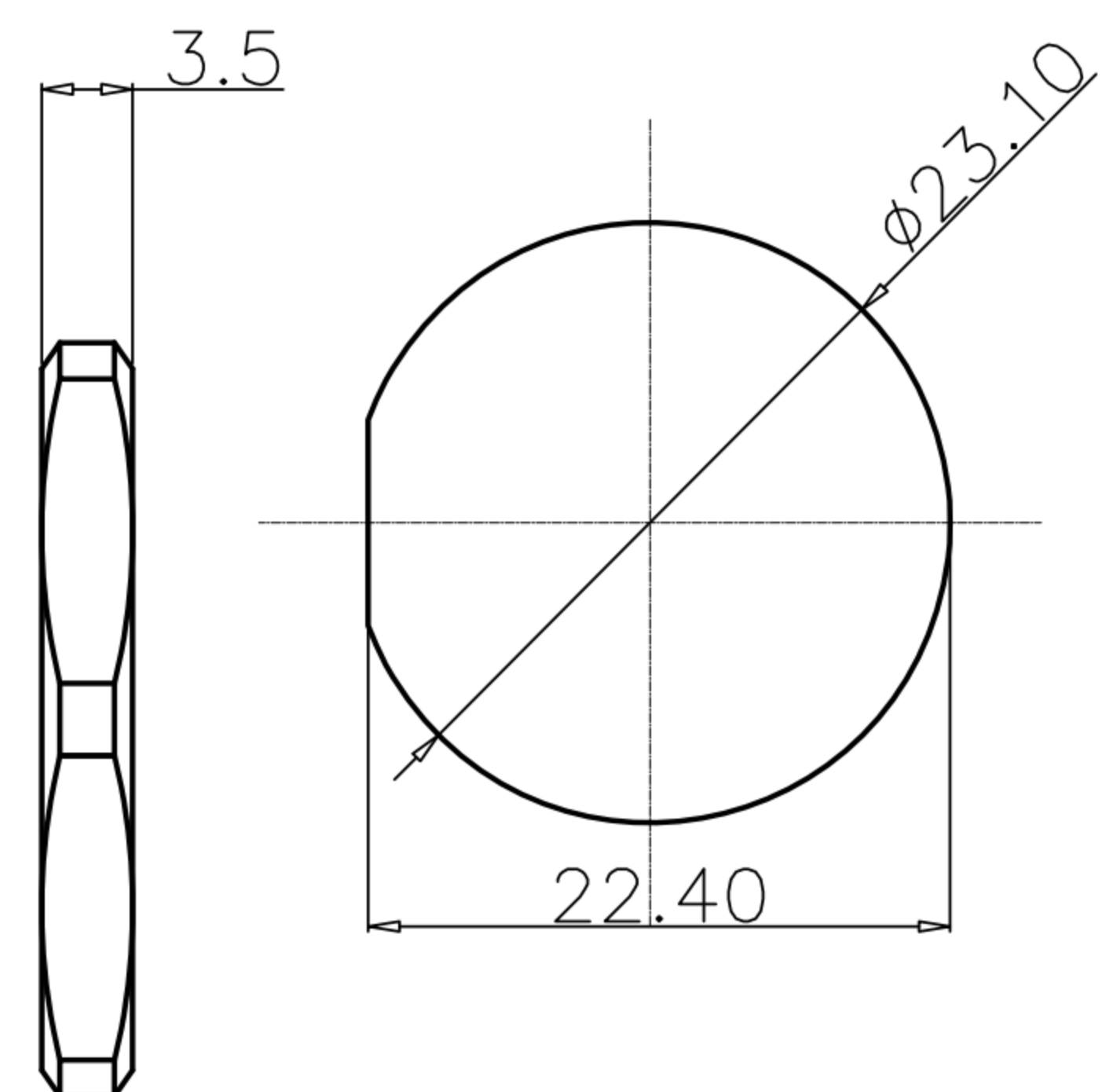
Long Pin



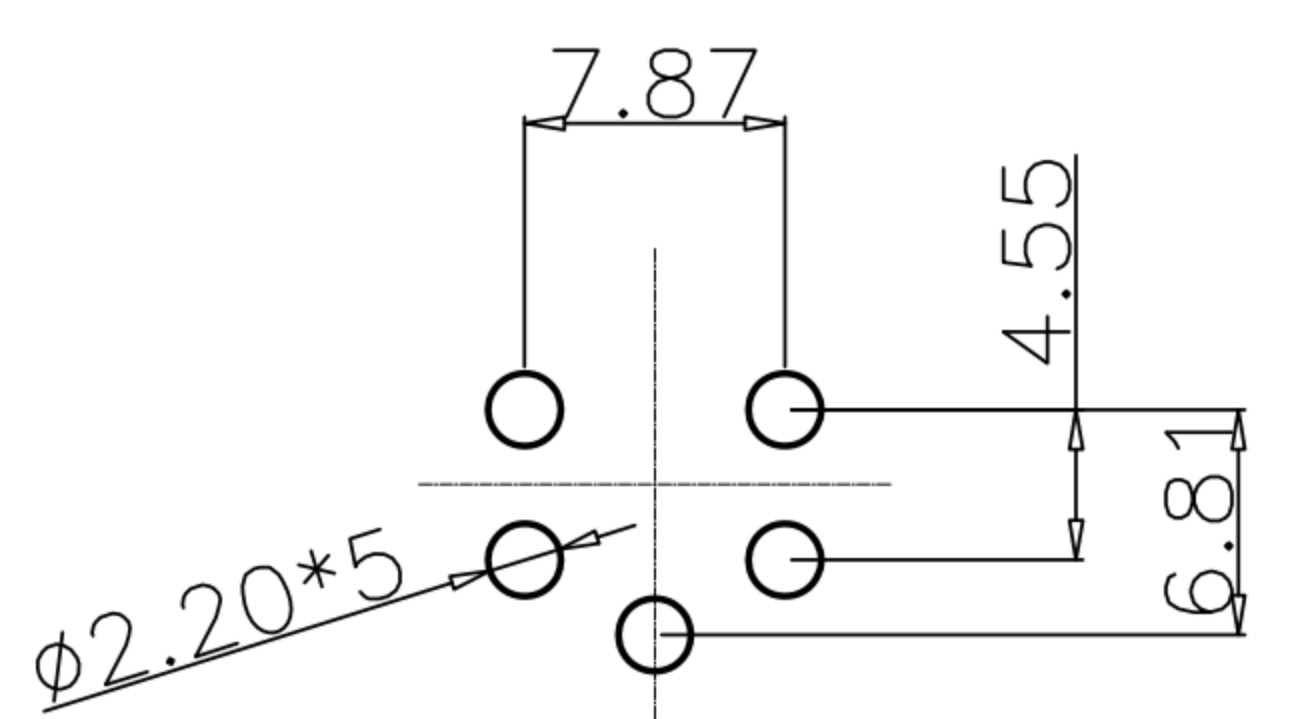
- MATERIAL :
 - 1-1. HOUSING : PBT UL94V-0 ; COLOR : YELLOW
 - 1-2. CONTACT : BRASS
 - 1-3. SHELL : BRASS
 - 1-4. NUT : BRASS
 - 1-5. O-RING-A : EPDM ; COLOR : BLACK
 - 1-6. O-RING-B : SILICONE ; COLOR : BROWN
- FINISH :
 - 2-1. CONTACT : 30 MICRO INCHES MIN. GOLD PLATED
 - 2-2. SHELL : NICKEL PLATED OVER ALL
 - 2-3. NUT : NICKEL PLATED OVER ALL
- ELECTRICAL SPECIFICATION :
 - 3-1. Rated current : 20A
 - 3-2. Rated voltage : 250V
 - 3-3. Water proof : IP67
- Environmental :
 - 4-1. Operation Temperature : -40℃~85℃



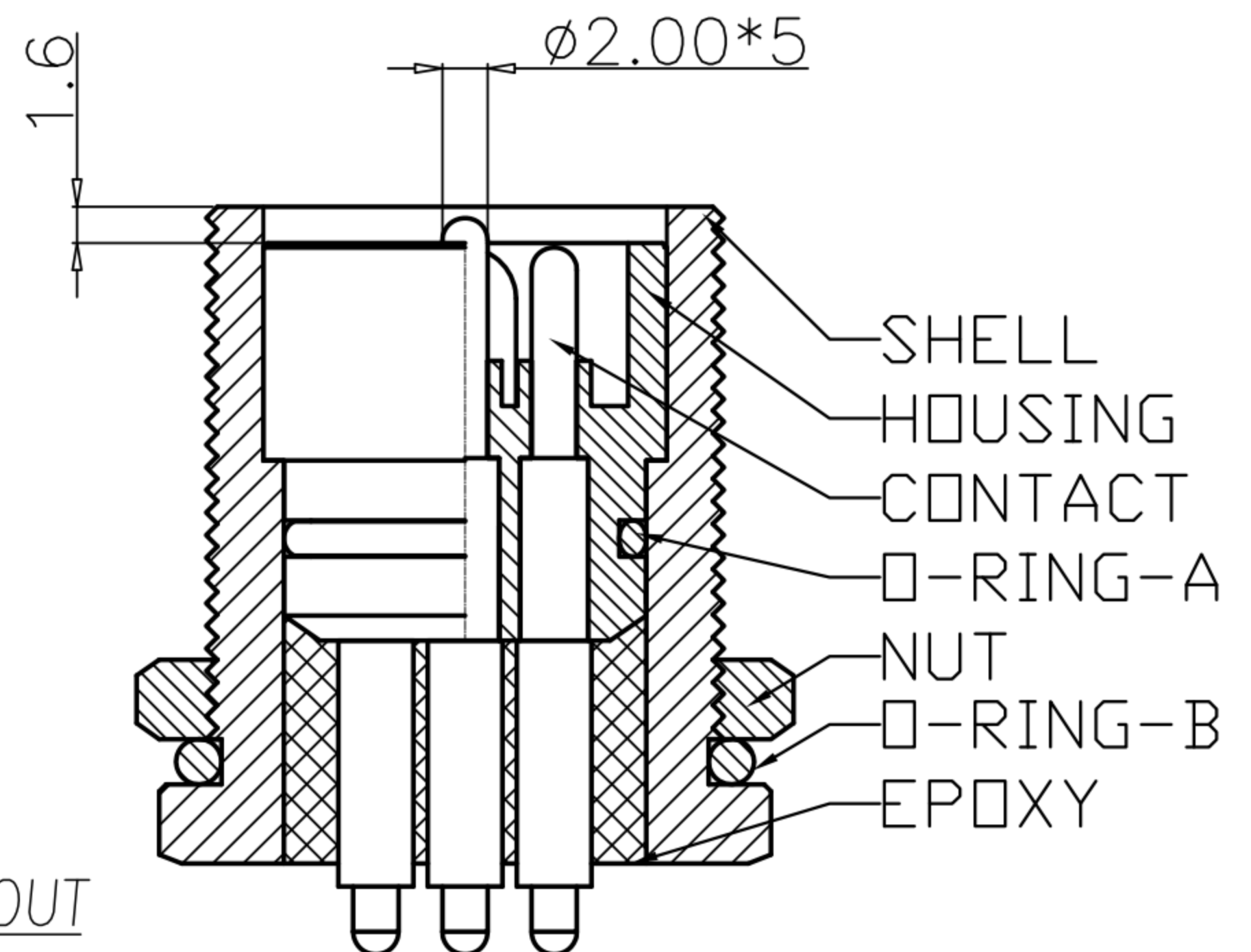
NUT



RECOMMEND PANEL CUT-OUT



RECOMMEND P.C.B LAYOUT



DRAWN	Ku Chou	APP'D	Emily Suen	UNIT	mm	TOLERANCE			TITLE	防水頭 M23 5PIN(M)前鎖插件式			SHEET	
CHK'D	Emily Suen			SCALE	1:1	.x ±0.20 .xx ±0.10 .xxx ±0.05 .xxxx ±0.03 ANGULA ±1°			PART NO.	WP-05M2-57	DWG NO.	QC5569	VERSION	