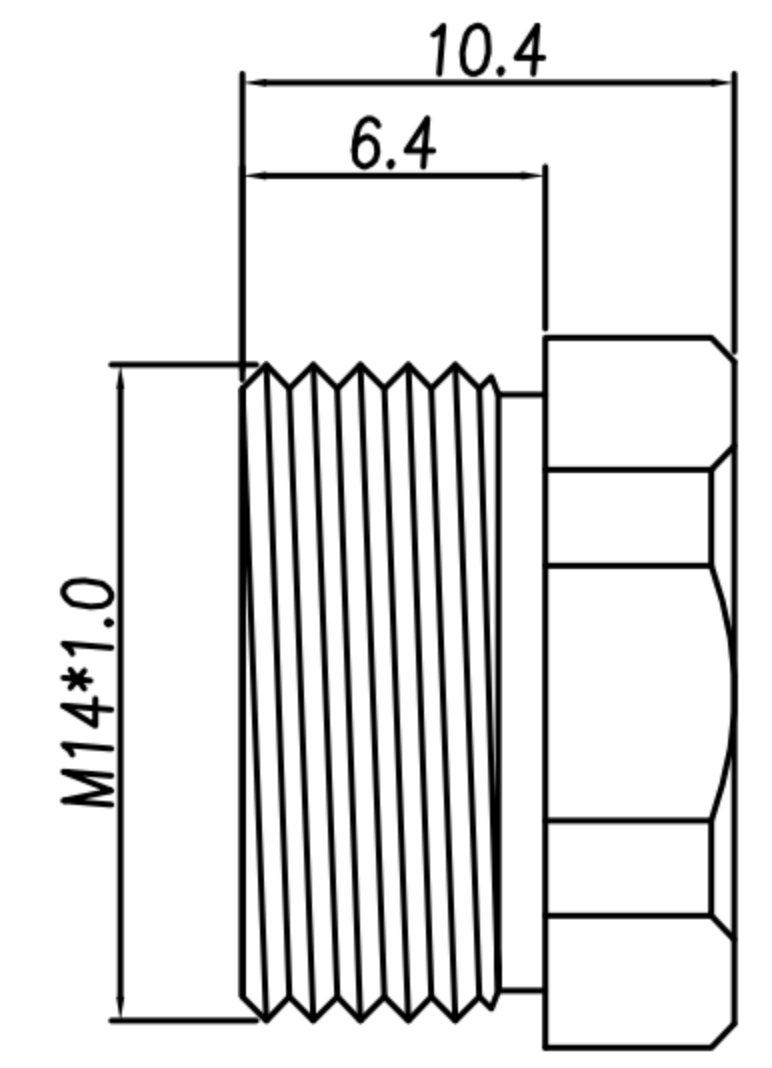
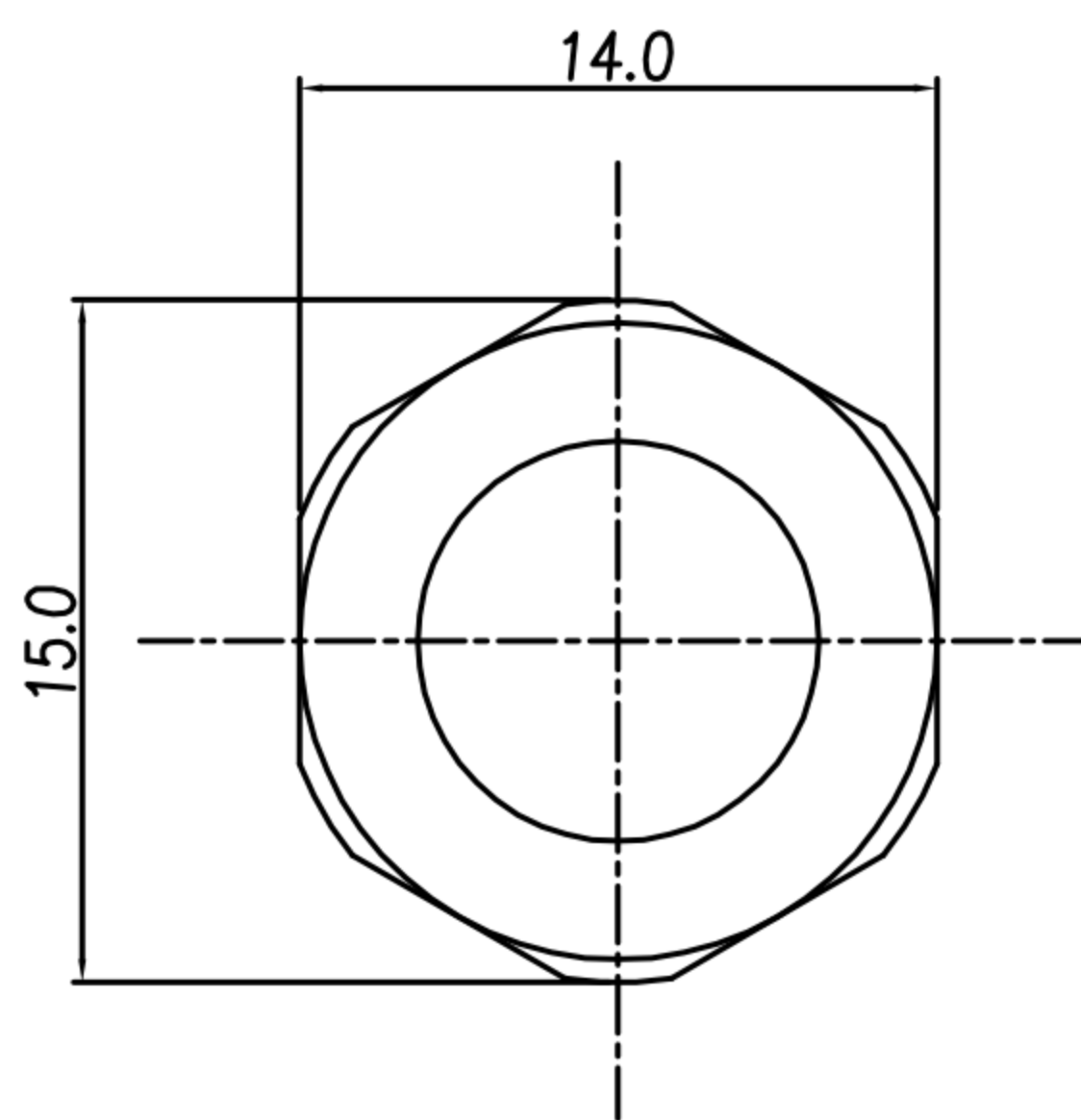
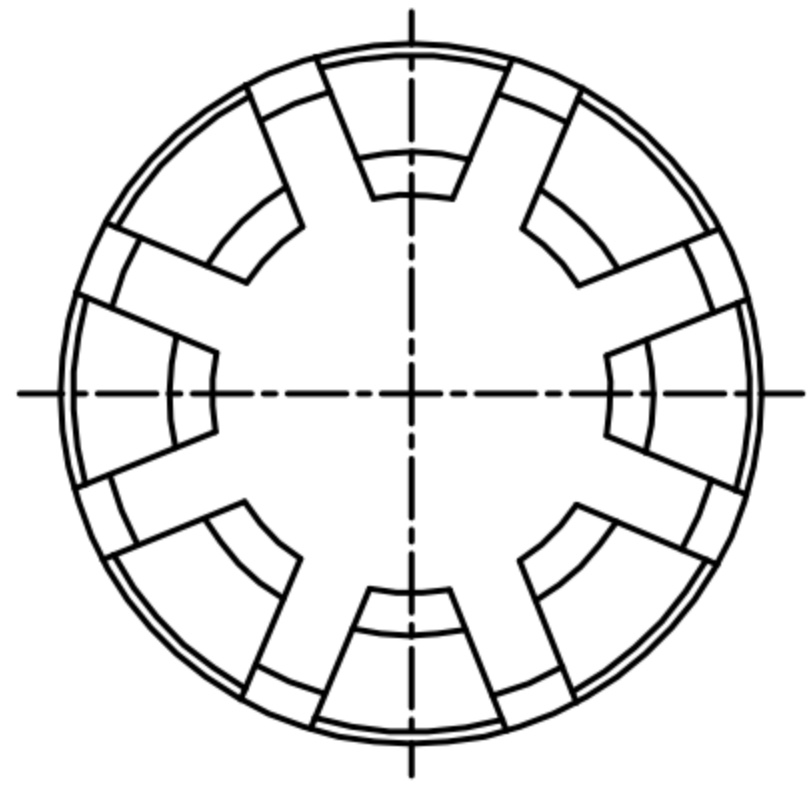
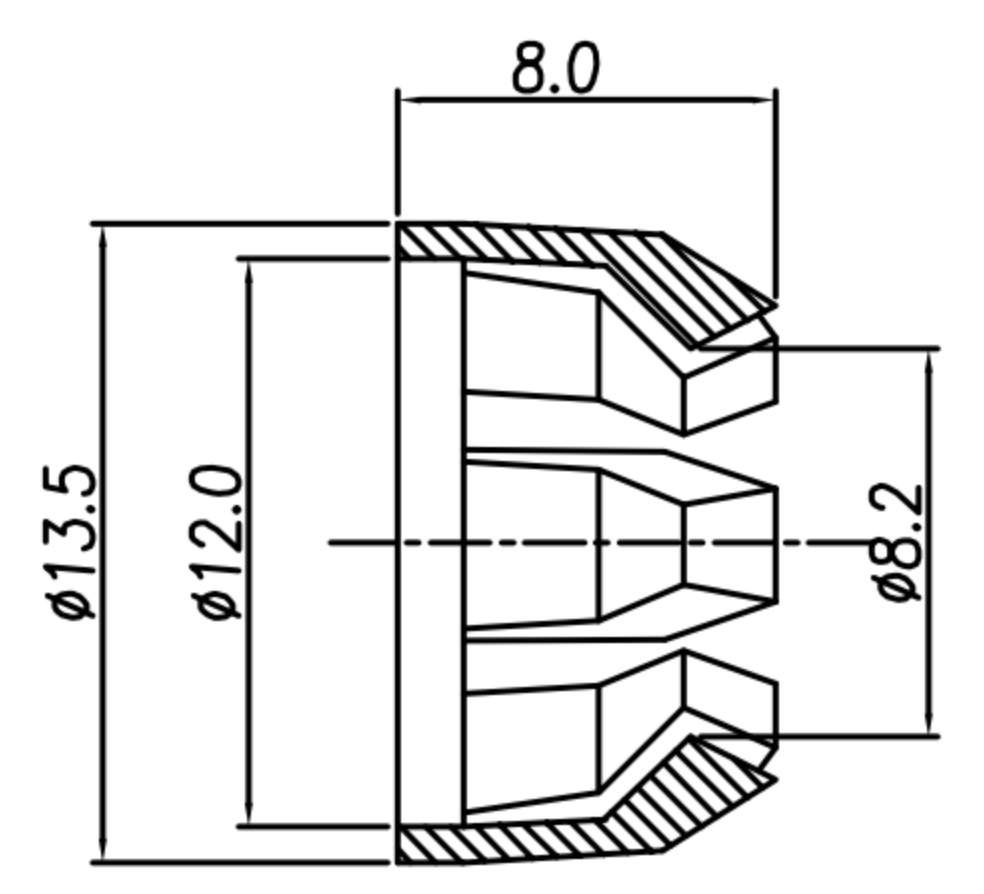
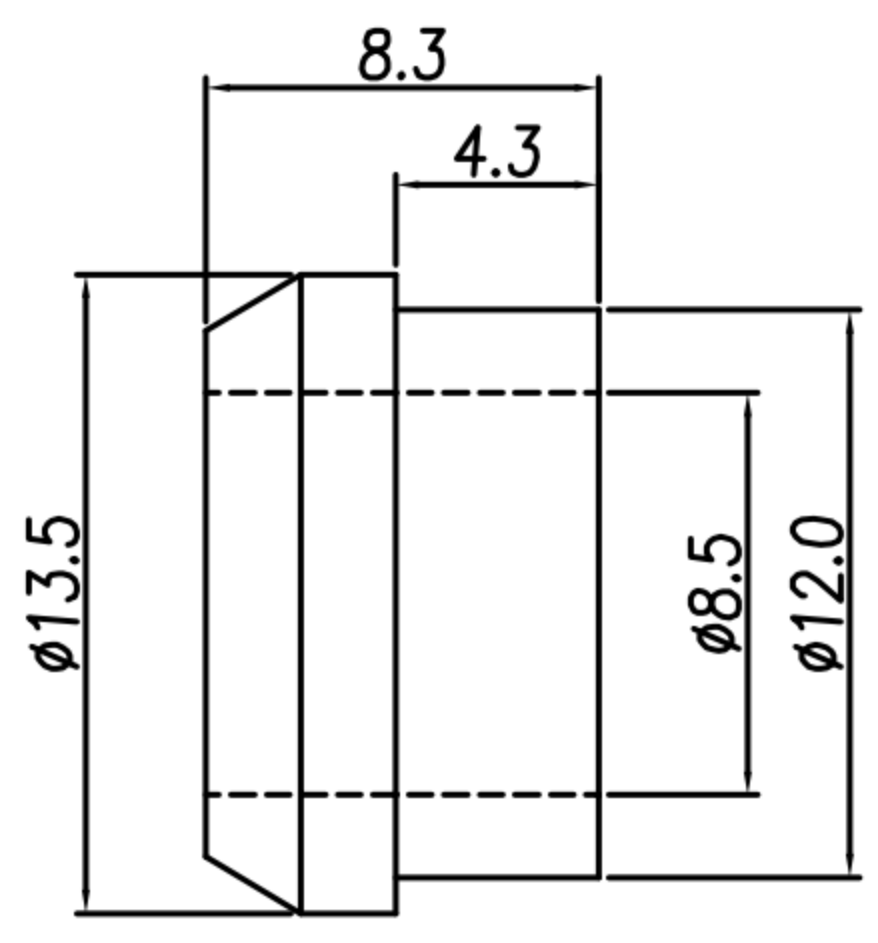
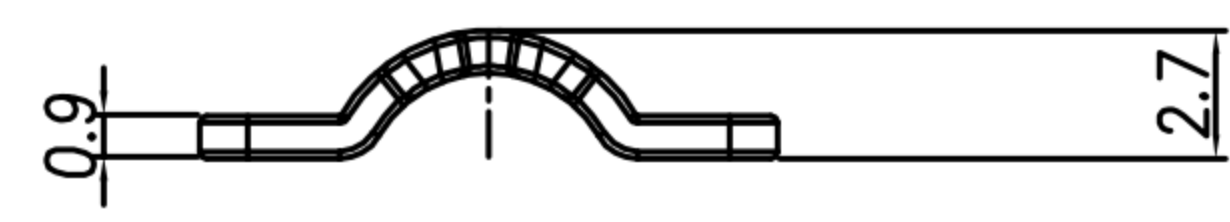
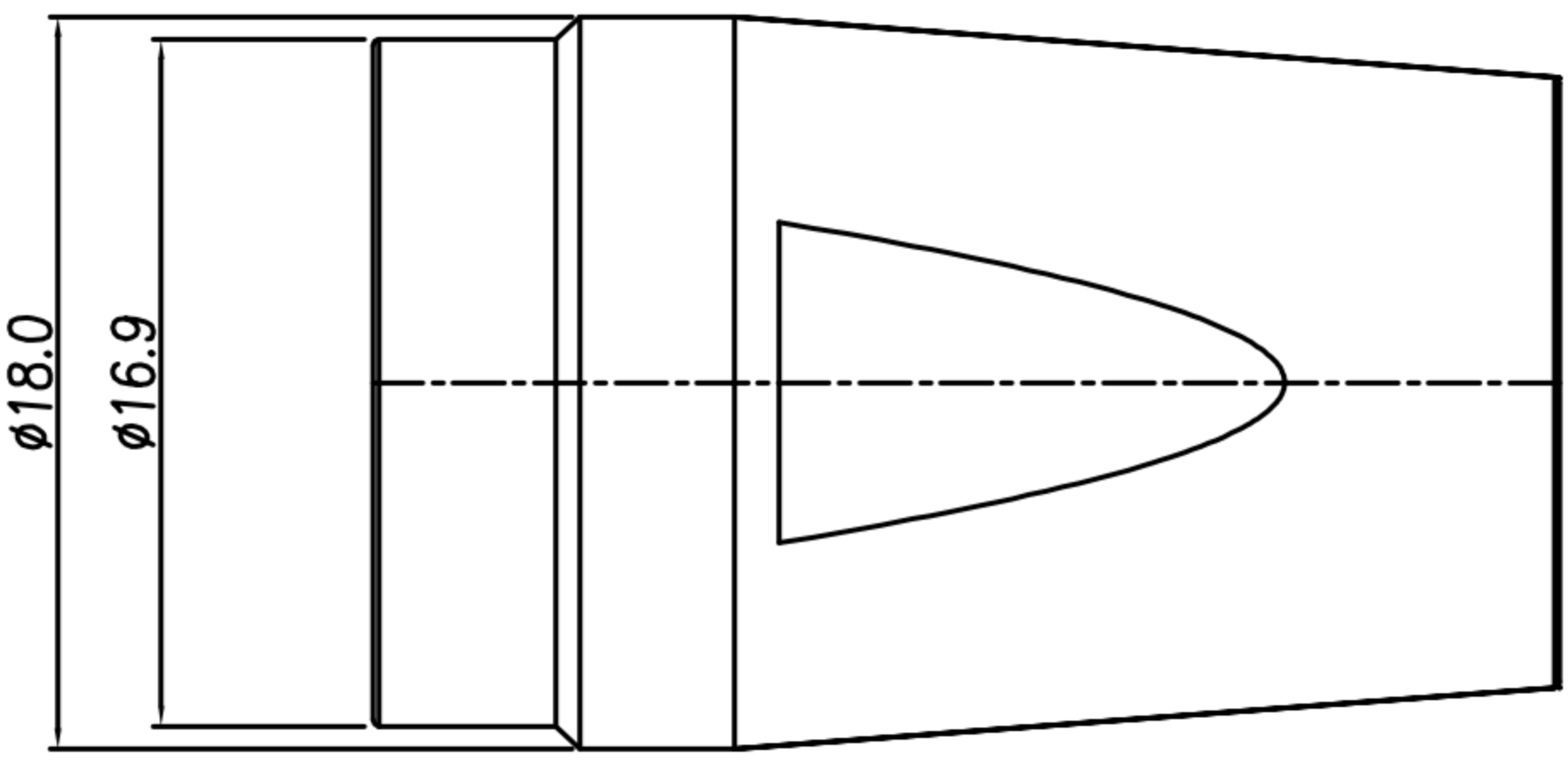
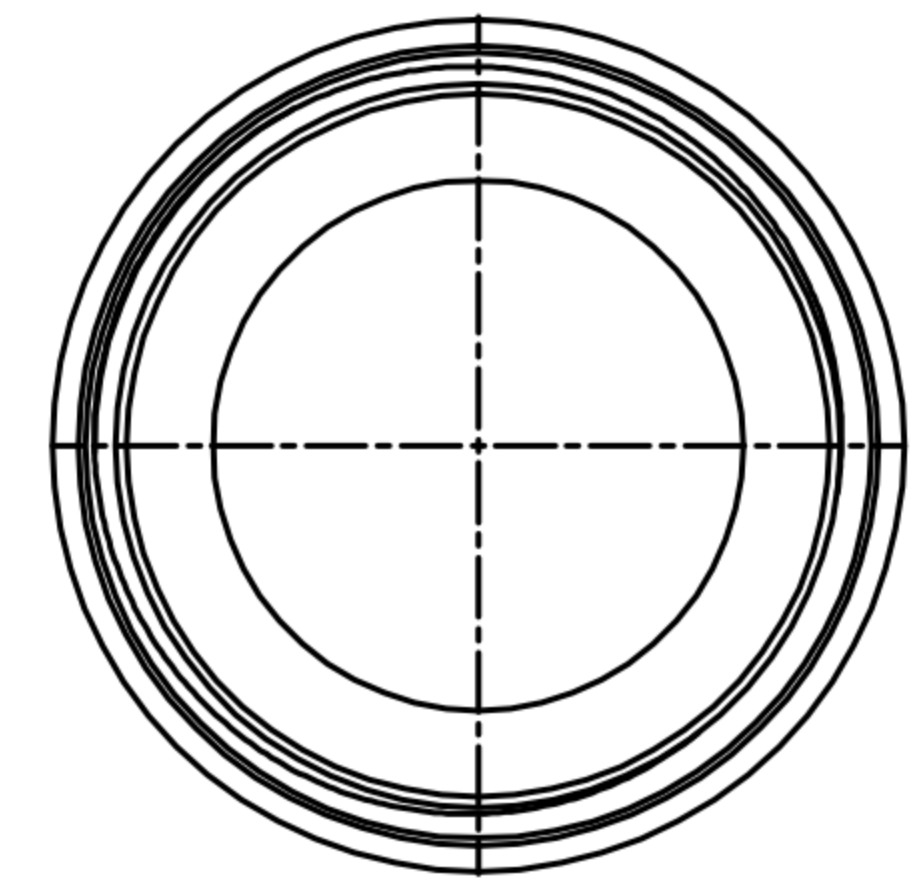
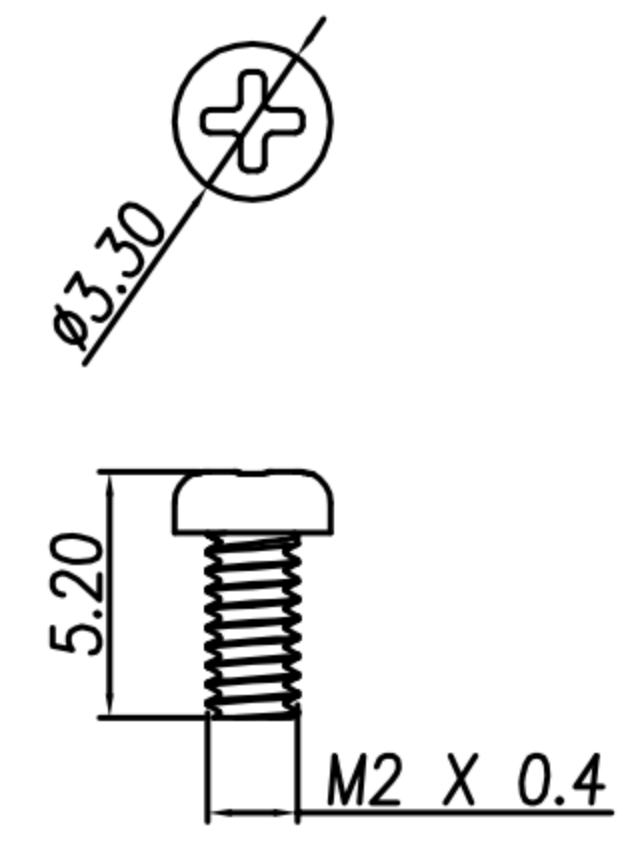
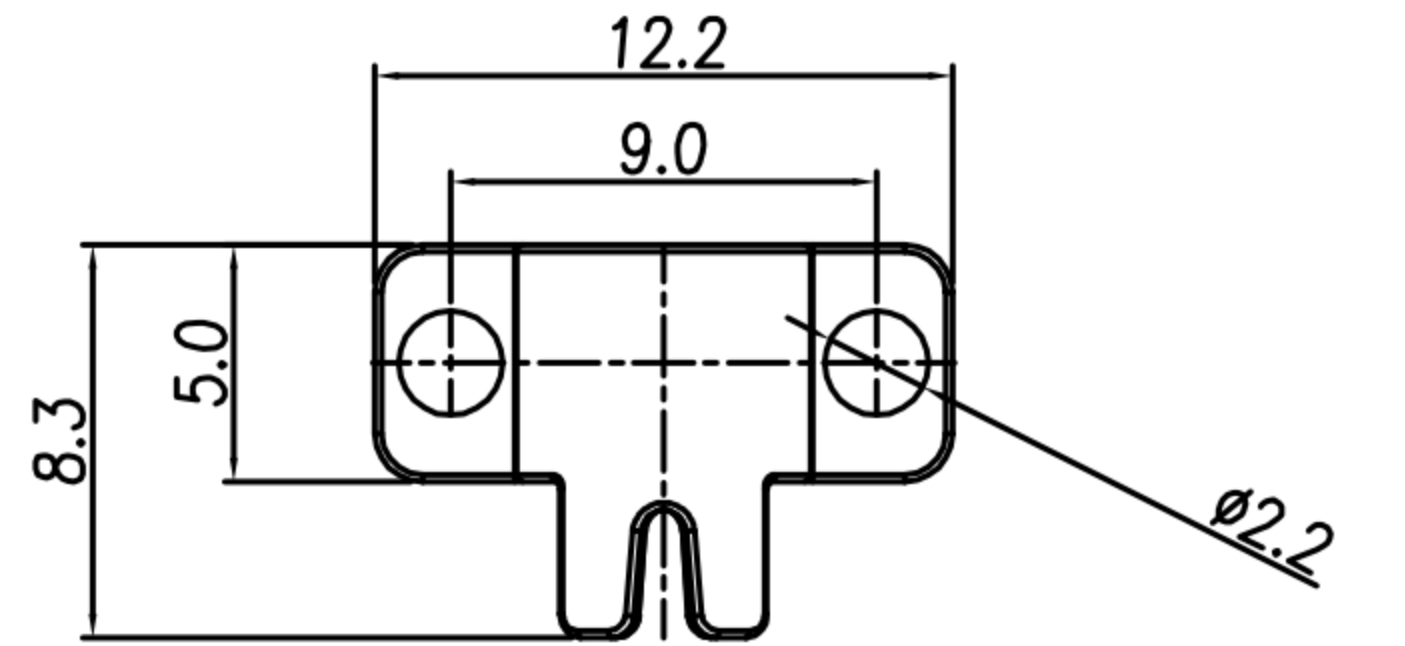
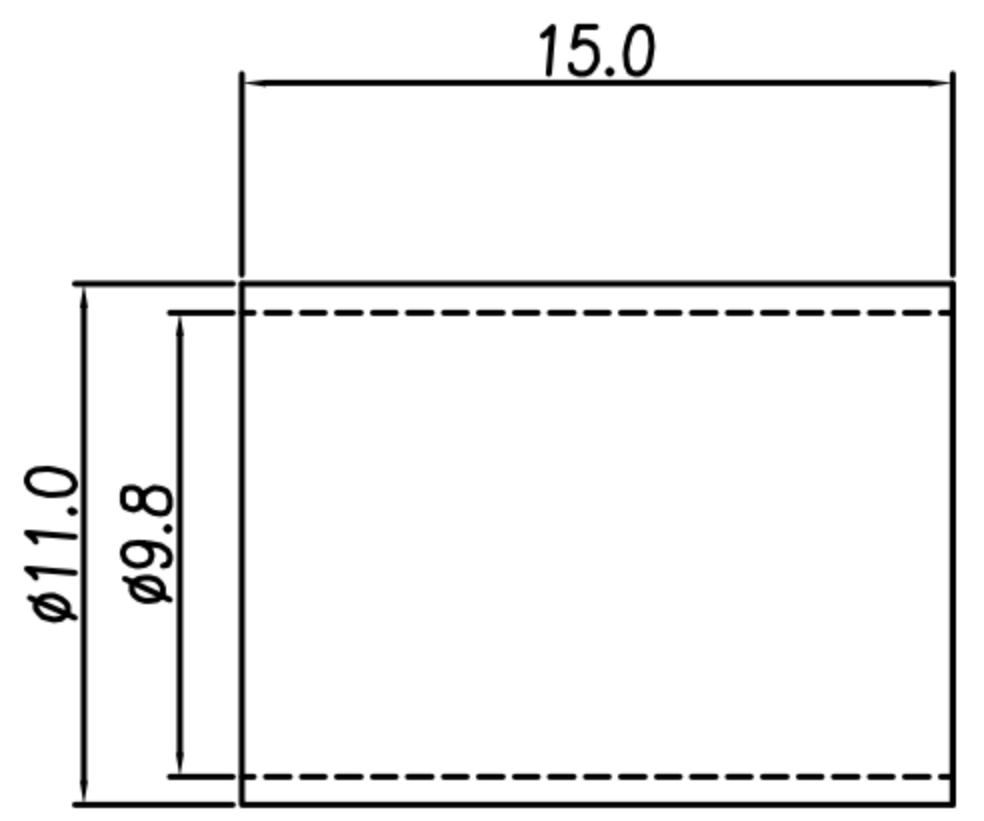
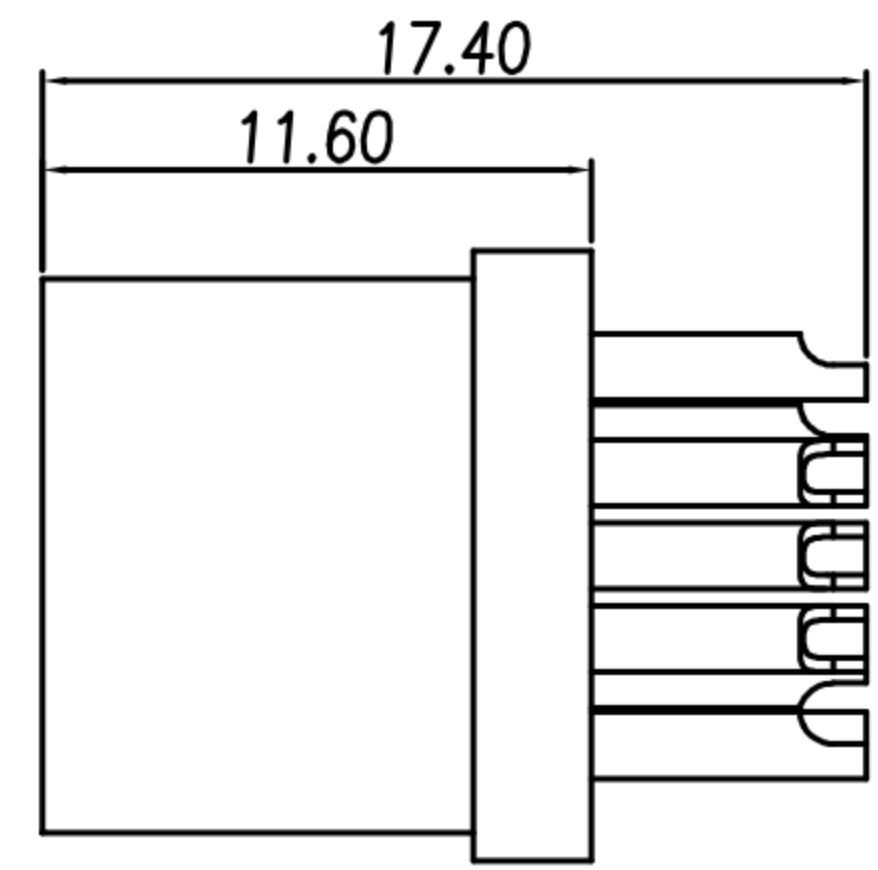
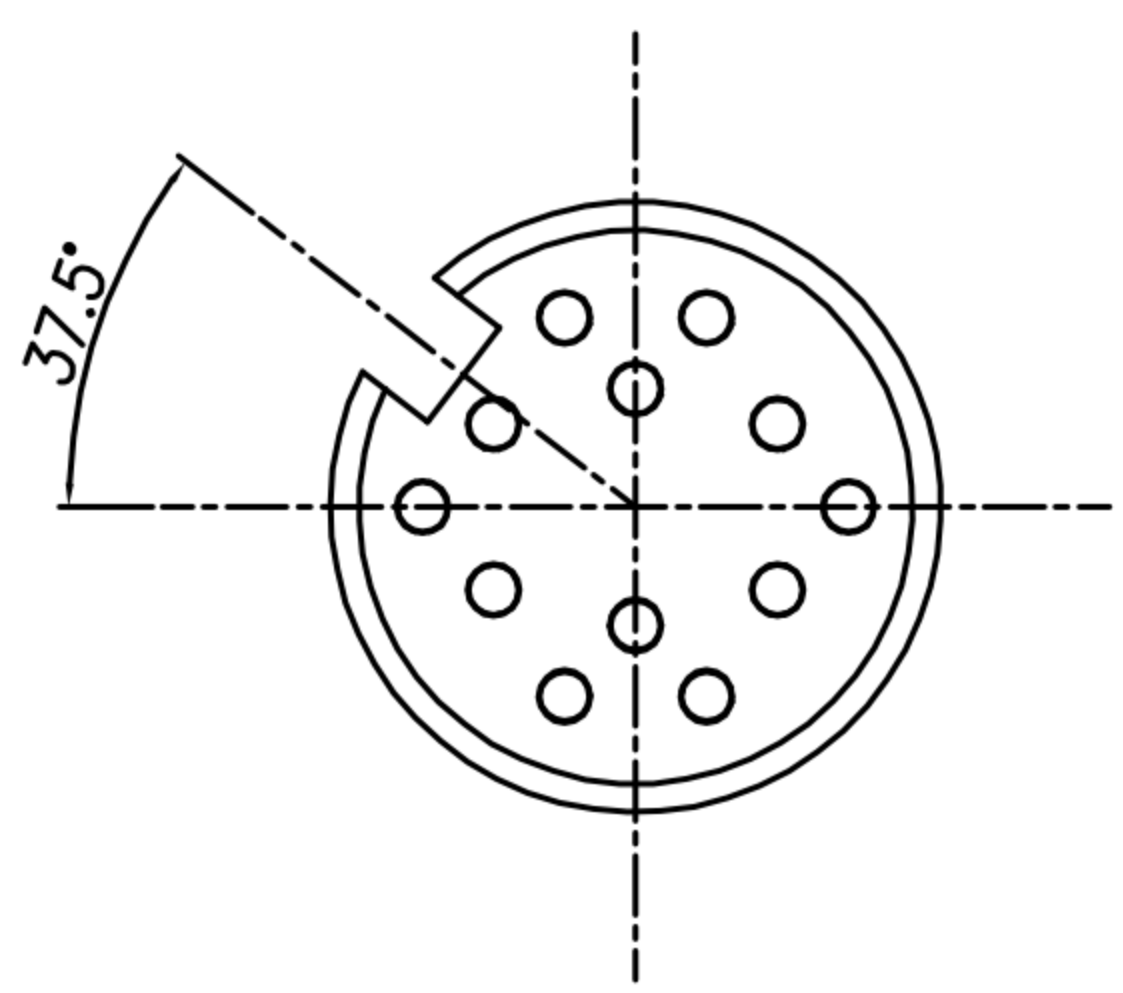
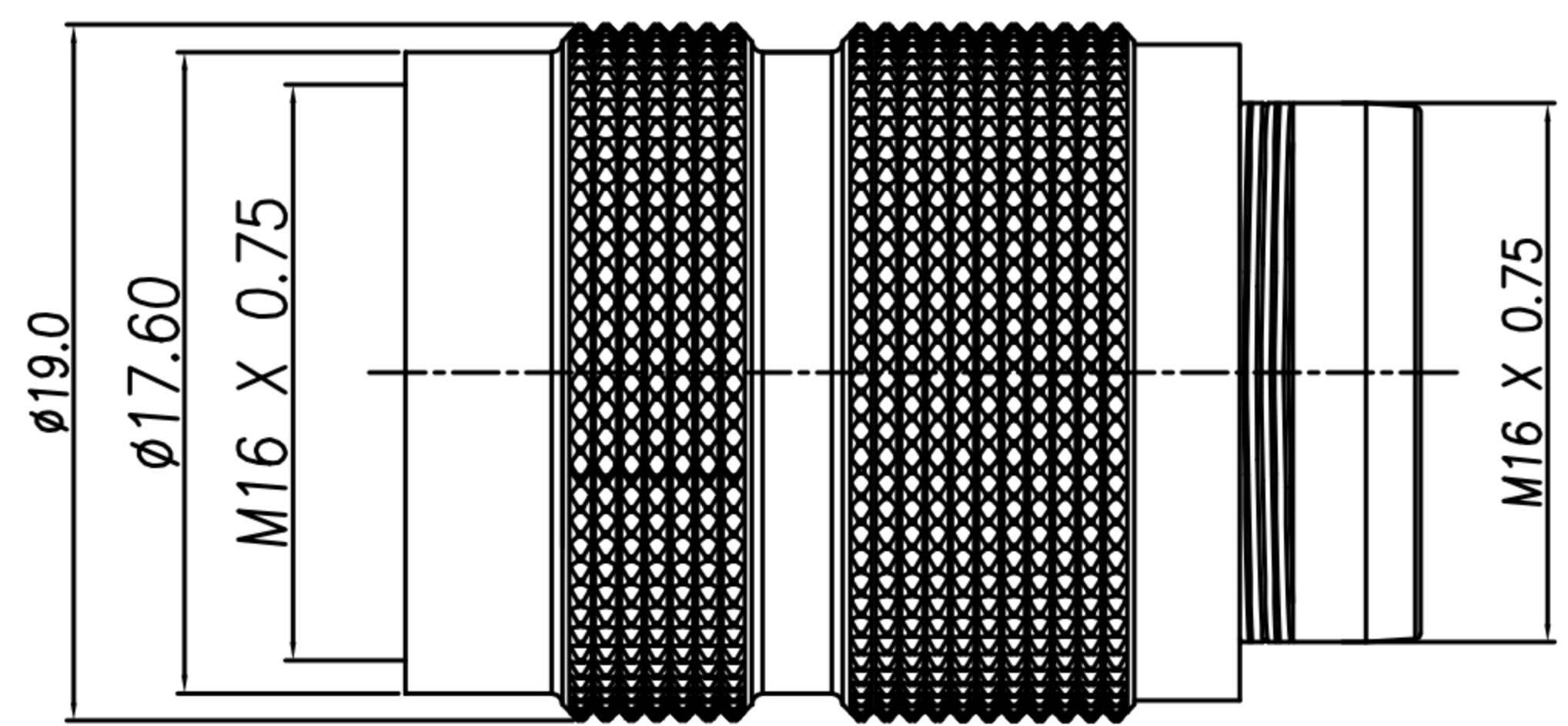
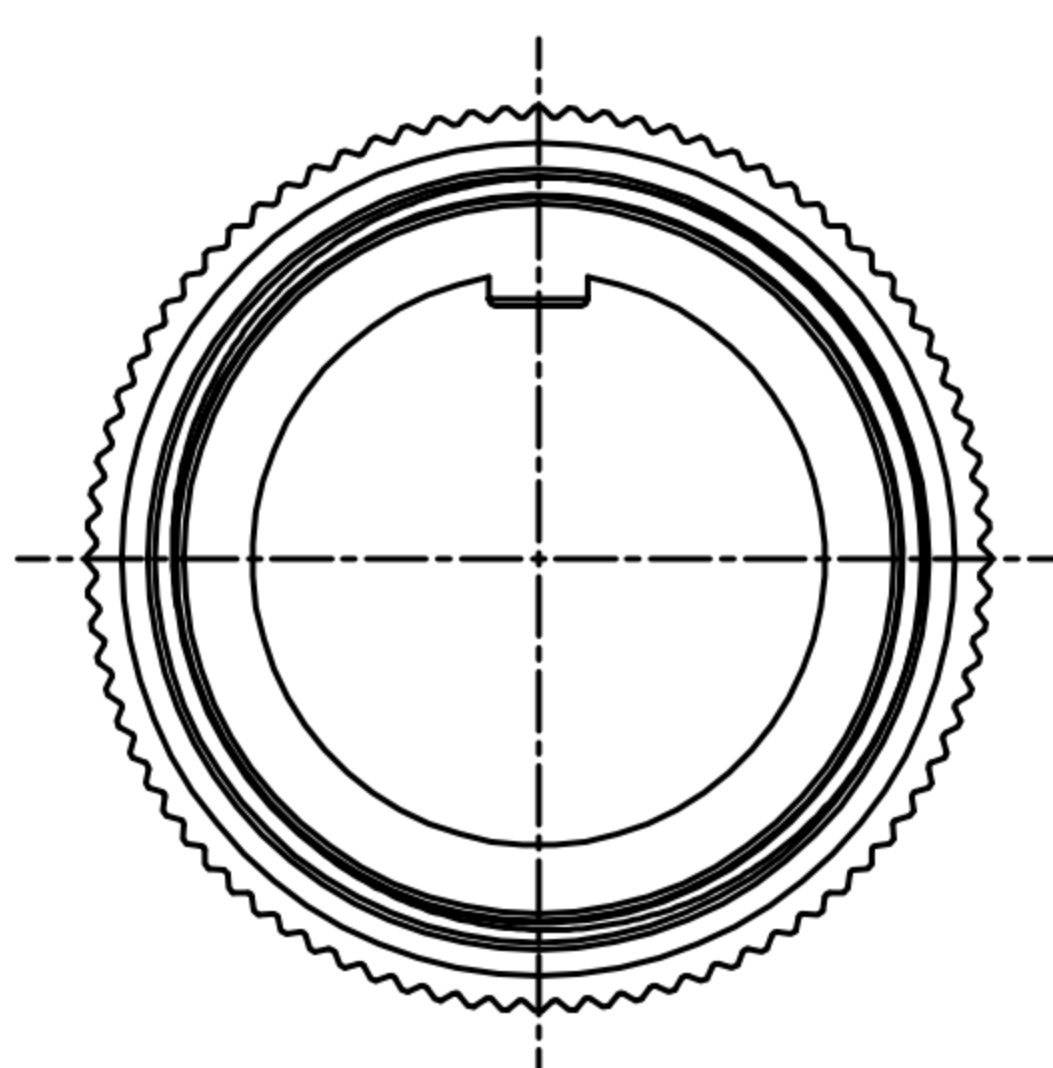


CUSTOMER DRAWING

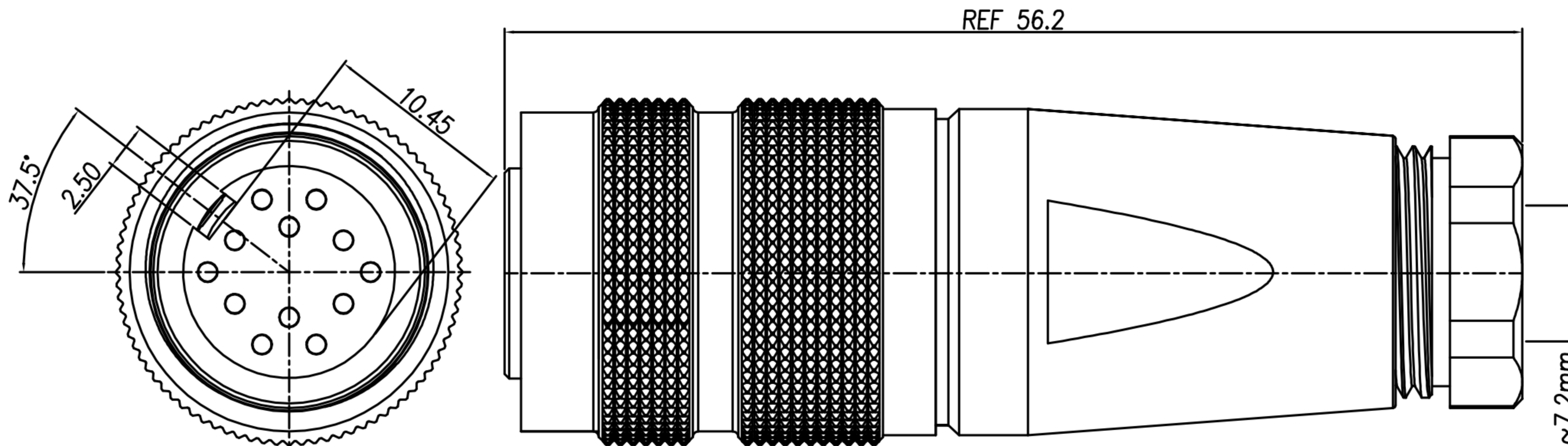
REV.	DESCRIPTION	APPROVED BY	DATE	ECN NO.
A	RELEASE	Emily Suen	23/08/12'	
B				
C				



DRAWN	LED	APP'D	Ku Chou	UNIT	mm	TOLERANCE		广东科斯达电子科技有限公司 GUANG DONG KE SI DA ELECTRONIC TECHNOLOGY CO., LTD.	TITLE	WP DIN (F) 12 PIN Assembly type			SHEET	3
CHK'D	Emily Suen			SCALE	1:1	.x ±0.20 .xx ±0.10 .xxx ±0.05 .xxxx ±0.03 ANGULA ±1°			PART NO.	DI-12F2-11-11	DWG NO.	QC8464	VERSION	A

# CUSTOMER DRAWING

REV.	DESCRIPTION	APPROVED BY	DATE	ECN NO.
△A	RELEASE	Emily Suen	23/08/12'	
△B				
△C				



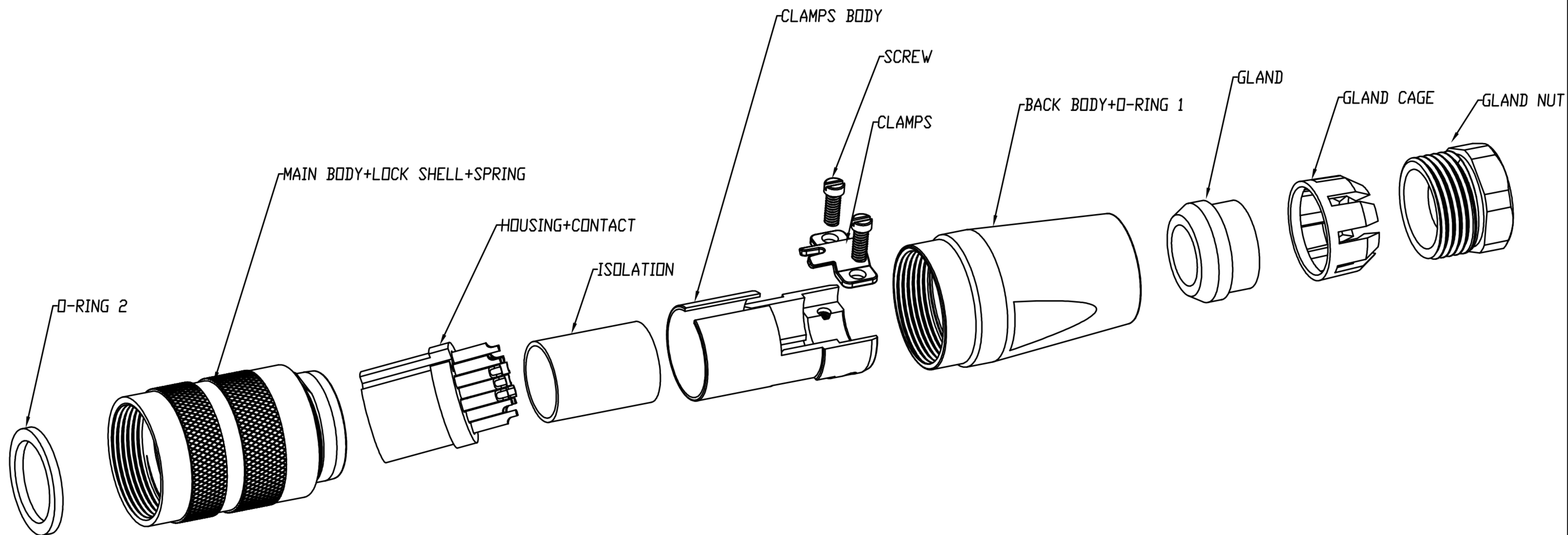
1. MATERIAL :
  - 1-1. HOUSING : NYLON UL94V-0 ; COLOR : BLACK
  - 1-2. CONTACT : BRASS
  - 1-3. MAIN BODY : ZINC ALLOY
  - 1-4. LOCK SHELL : BRASS
  - 1-5. SPRING : STAINLESS
  - 1-6. ISOLATION : PVC
  - 1-7. CLAMPS : ZINC ALLOY
  - 1-8. CLAMPS BODY : ZINC ALLOY
  - 1-9. SCREW : SPCC
  - 1-10. BACK BODY : BRASS
  - 1-11. O-RING 1 : SILICONE ; COLOR : RED
  - 1-12. GLAND : SILICONE COLOR : BLACK
  - 1-13. GLAND CAGE : POM ; COLOR : WHITE
  - 1-14. GLAND NUT : ALUMINUM ALLOY
  - 1-15. O-RING 2 : SILICONE ; COLOR : BLACK
2. FINISH :
  - 2-1. CONTACT : CONTACT AREA : GOLD 10u"  
SOLDER AREA : TIN  
UNDER PLATE : NICKEL
  - 2-2. MAIN BODY : NICKEL PLATED
  - 2-3. LOCK SHELL : NICKEL PLATED
  - 2-4. CLAMPS : NICKEL PLATED
  - 2-5. CLAMPS BODY : NICKEL PLATED
  - 2-6. SCREW : NICKEL PLATED
  - 2-7. BACK BODY : NICKEL PLATED
  - 2-8. GLAND NUT : SATING NICKEL PLATED
3. ELECTRICAL SPECIFICATION :
  - 3-1. Rated current :3A
  - 3-2. Rated Voltage :60V
  - 3-3. Water proof : IPX7
4. Environmental :
  - 4-1. Operation Temperature : -20 ℃~85℃

DRAWN	LED	APP'D	Ku Chou	UNIT	mm	TOLERANCE		广东科斯达电子科技有限公司 GUANG DONG KE SI DA ELECTRONIC TECHNOLOGY CO., LTD.	TITLE	WP DIN (F) 12 PIN Assembly type			SHEET
CHK'D	Emily Suen			SCALE	1:1	.x ±0.20 .xx ±0.10 .xxx ±0.05 .xxxx ±0.03 ANGULA ±1°			PART NO.	DI-12F2-11-11	DWG NO.	QC8464	VERSION

CUSTOMER DRAWING

REV.	DESCRIPTION	APPROVED BY	DATE	ECN NO.
△A	RELEASE	Emily Suen	23/08/12'	
△B				
△C				

ASSEMBLY INSTRUCTION



DRAWN	LED	APP'D	Ku Chou	UNIT	mm	TOLERANCE		广东科斯达电子科技有限公司 GUANG DONG KE SI DA ELECTRONIC TECHNOLOGY CO., LTD.	TITLE	WP DIN (F) 12 PIN Assembly type			SHEET
CHK'D	Emily Suen			SCALE	1:1	.x ±0.20 .xx ±0.10 .xxx ±0.05 .xxxx ±0.03 ANGULA ±1°			PART NO.	DI-12F2-11-11	DWG NO.	QC8464	VERSION