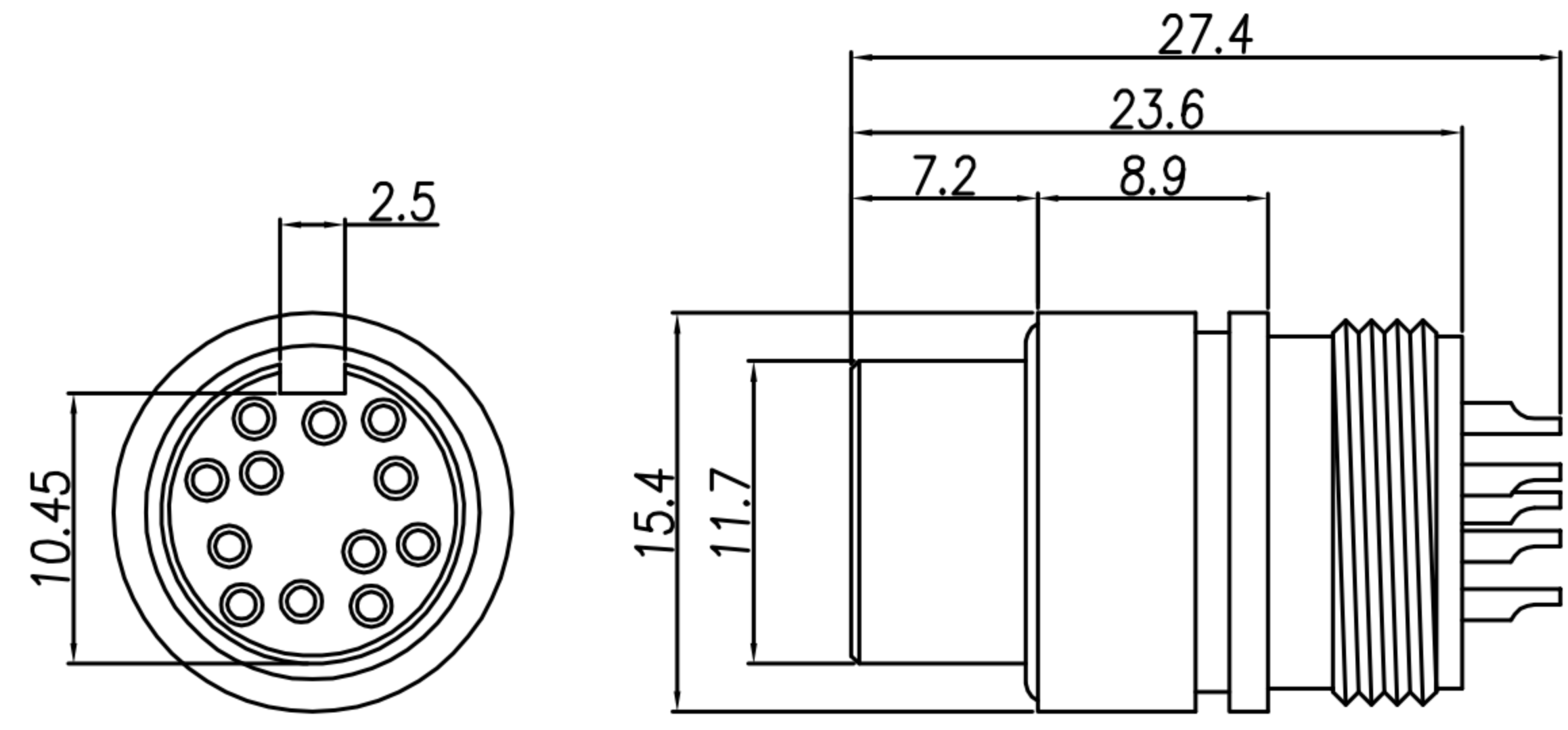
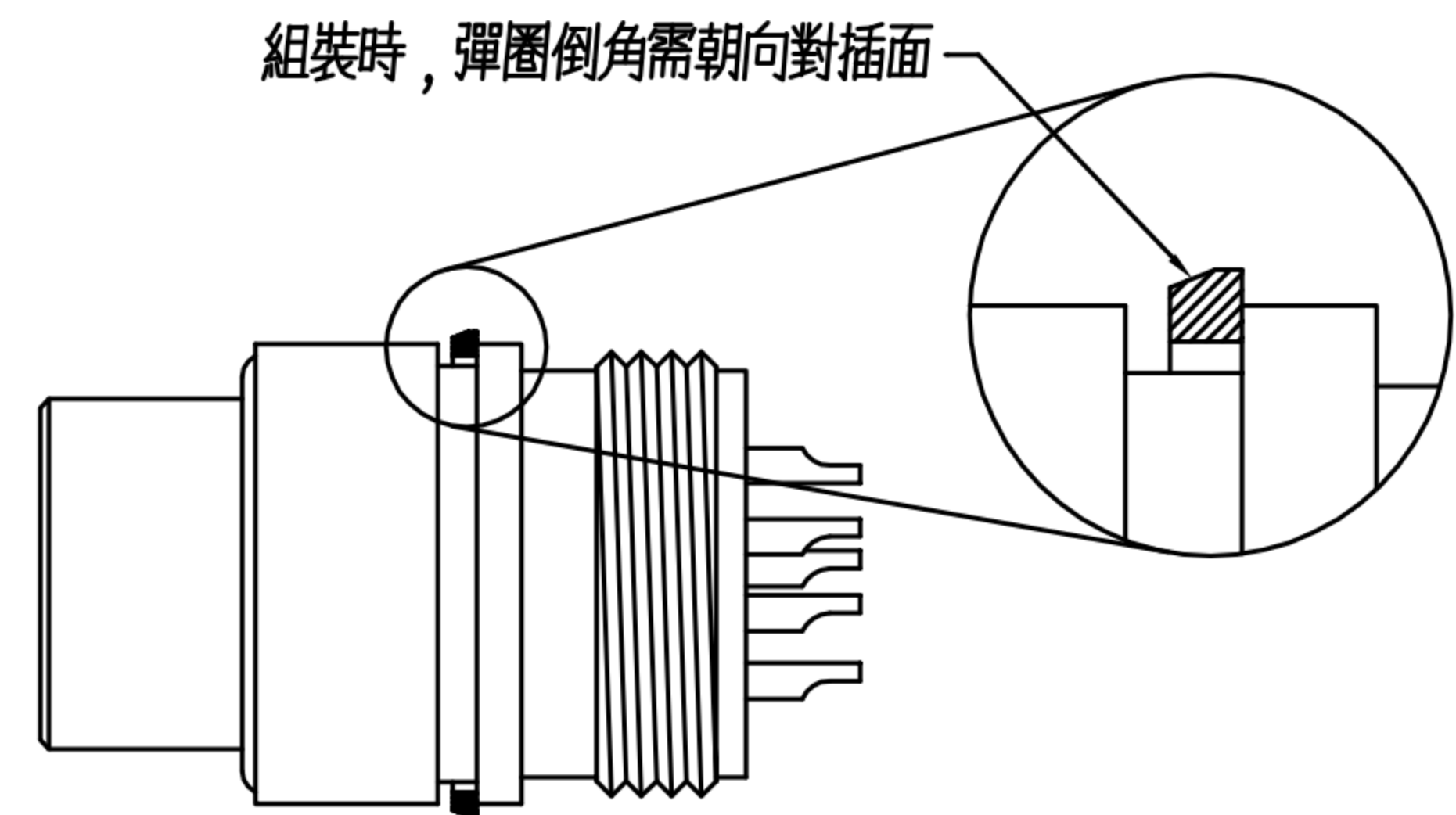


# CUSTOMER DRAWING

REV.	DESCRIPTION	APPROVED BY	DATE	ECN NO.
△B	新增料號	KU	10/11/17'	
△C	修改工作溫度	KU	26/06/18'	
△D	新增料號	LED	20/07/18'	
△E	新增料號	Yeh	15/03/19'	
△F	設變彈圈結構	KU	08/05/19'	



HOUSING & SHELL1 & CONTACT & O-RING

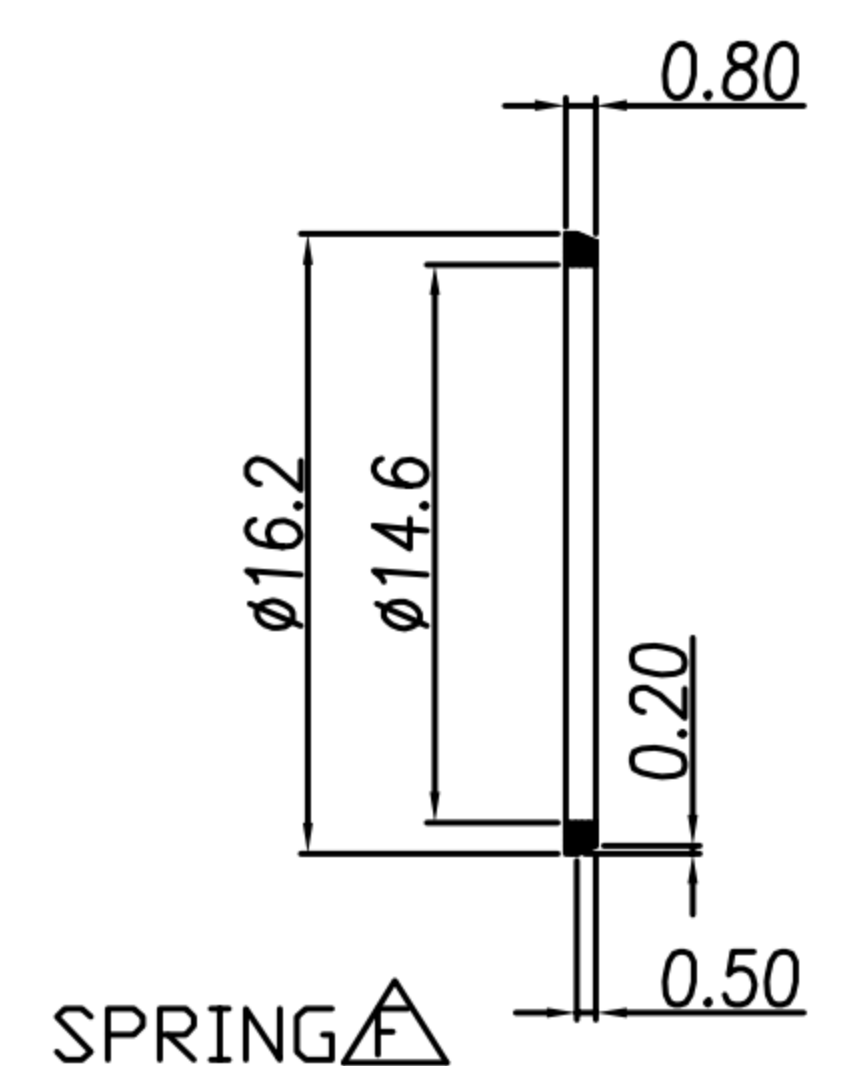


ASS'Y

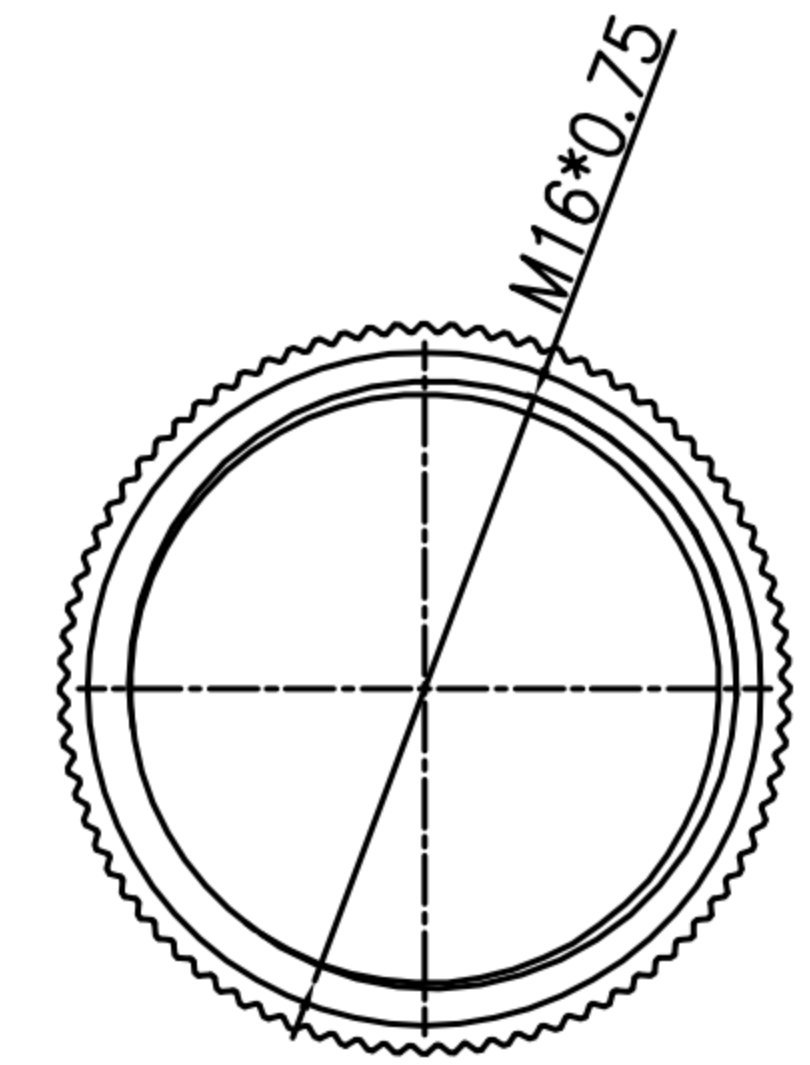
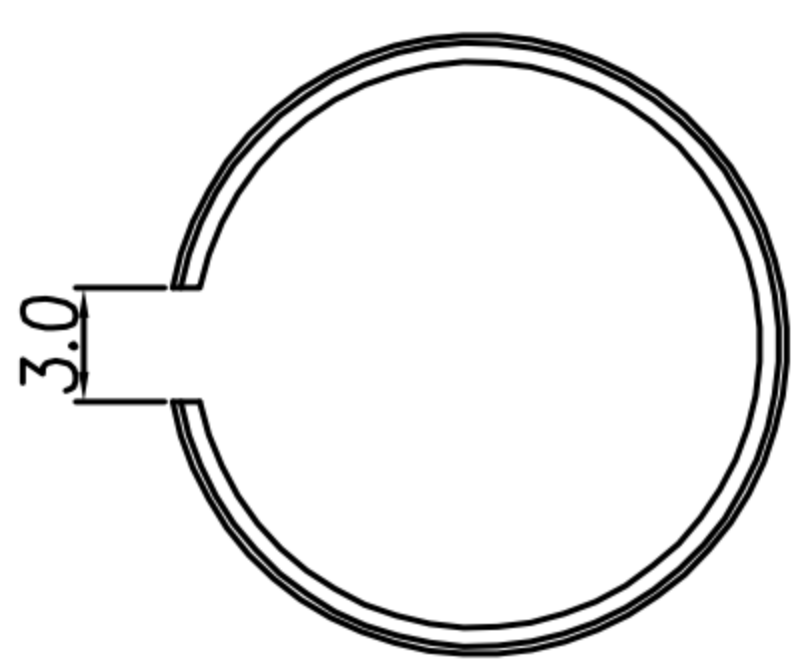
- MATERIAL :
  - 1-1. HOUSING : PA66 ; COLOR : BLACK.
  - 1-2. CONTACT : BRASS.
  - 1-3. NUT : BRASS.
  - 1-4. SHELL : ZINC ALLOY
  - 1-5. SPRING : STAINLESS STEEL.
  - 1-6. O-RING : EPDM
- FINISH :
  - 2-1. CONTACT : SEE TABLE A
  - 2-2. NUT : NICKEL PLATED OVER ALL
  - 2-3. SHELL : NICKEL PLATED OVER ALL
- ELECTRICAL SPECIFICATION :
  - 3-1. Rated current : 3~8P 5A ; 12P~14P 3A
  - 3-2. Rated voltage : 3~8P 250V;12~14P 60V
  - 3-3. Water proof : IP67
- Environmental :
  - △4-1. Operation Temperature : -40℃~85℃

TABLE A

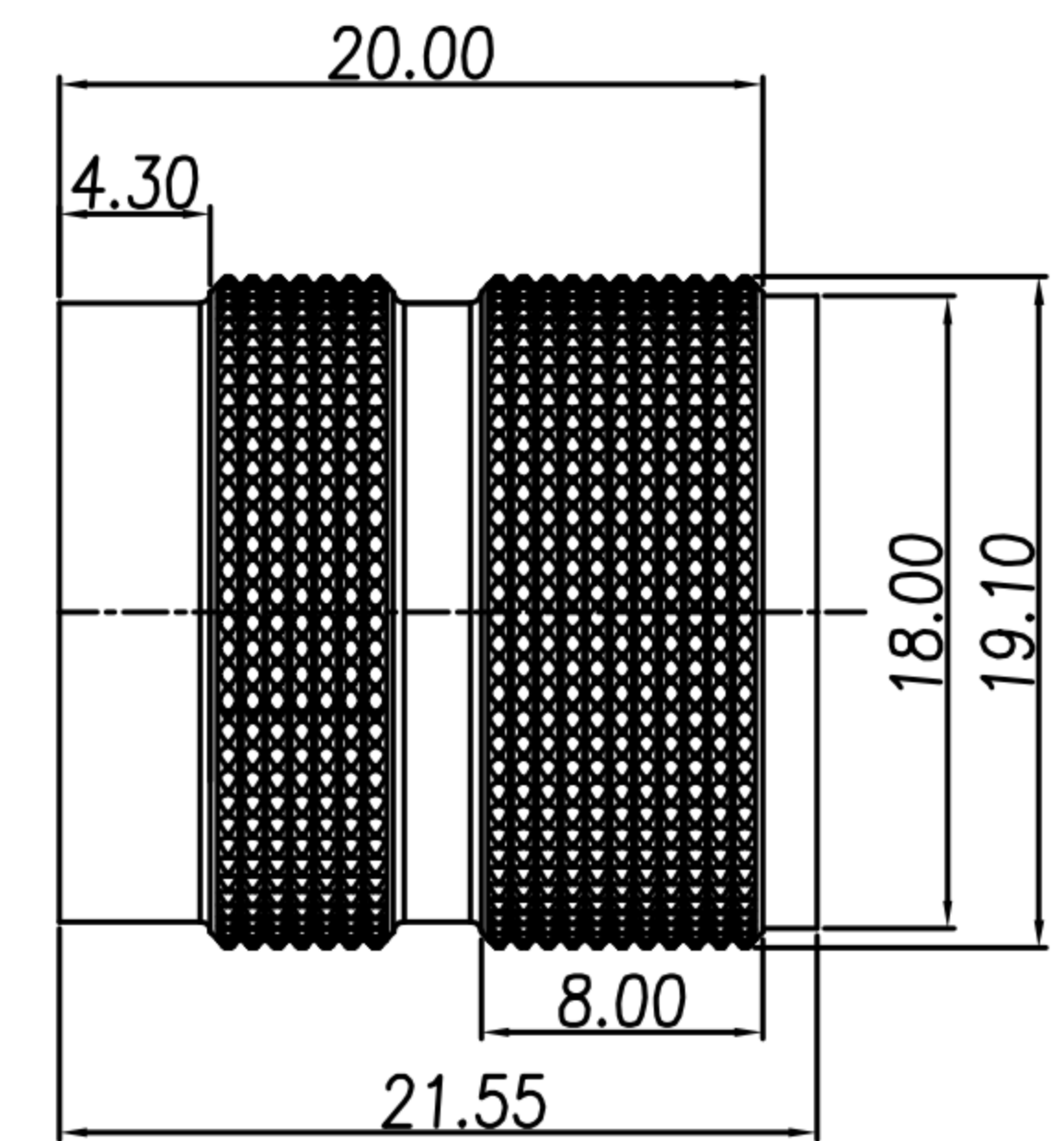
REV.	PIN	P/N	CONTACT FINSH
△E	14P	DI-14F1-01-11	GOLD FLASH PLATED
△B	13P	DI-13F2-09-11	GOLD FLASH PLATED
	12P	DI-12F1-04-11	GOLD FLASH PLATED
	12P	DI-12F1-03-11	SILVER PLATED
	8P	DI-08F1-06-11	GOLD FLASH PLATED
	8P	DI-08F1-05-11	SILVER PLATED
△A	7P	DI-07F1-09-11	GOLD FLASH PLATED
△A	7P	DI-07F1-08-11	SILVER PLATED
	7P	DI-07F1-05-11	GOLD FLASH PLATED
	7P	DI-07F1-04-11	SILVER PLATED
	6P	DI-06F1-05-11	GOLD FLASH PLATED
	6P	DI-06F1-04-11	SILVER PLATED
	5P	DI-05F1-07-11	GOLD FLASH PLATED
	5P	DI-05F1-06-11	SILVER PLATED
	5P	DI-05F1-09-11	GOLD FLASH PLATED
	5P	DI-05F1-08-11	SILVER PLATED
	4P	DI-04F1-05-11	GOLD FLASH PLATED
	4P	DI-04F1-04-11	SILVER PLATED
	3P	DI-03F1-04-11	GOLD FLASH PLATED
	3P	DI-03F1-03-11	SILVER PLATED
	PIN	P/N	CONTACT FINSH



SPRING △A



NUT



3PIN	4PIN	5PIN	5PIN	6PIN	7PIN	7PIN	8PIN	12PIN	13PIN	14PIN
DI-03F1-03-11 DI-03F1-04-11	DI-04F1-04-11 DI-04F1-05-11	DI-05F1-08-11 DI-05F1-09-11	DI-05F1-06-11 DI-05F1-07-11	DI-06F1-04-11 DI-06F1-05-11	DI-07F1-08-11 DI-07F1-09-11	DI-07F1-04-11 DI-07F1-05-11	DI-08F1-05-11 DI-08F1-06-11	DI-12F1-03-11 DI-12F1-04-11	DI-13F2-09-11	DI-14F1-01-11

DRAWN	Ku Chou	APPEND	Emily Suen	UNIT	mm	TOLERANCE				TITLE	防水 DIN (F) 線端成型式			SHEET	
CHK'D	Emily Suen			SCALE	1:1					PART NO.	SEE TABLE A	DWG NO.	QC7207	VERSION	