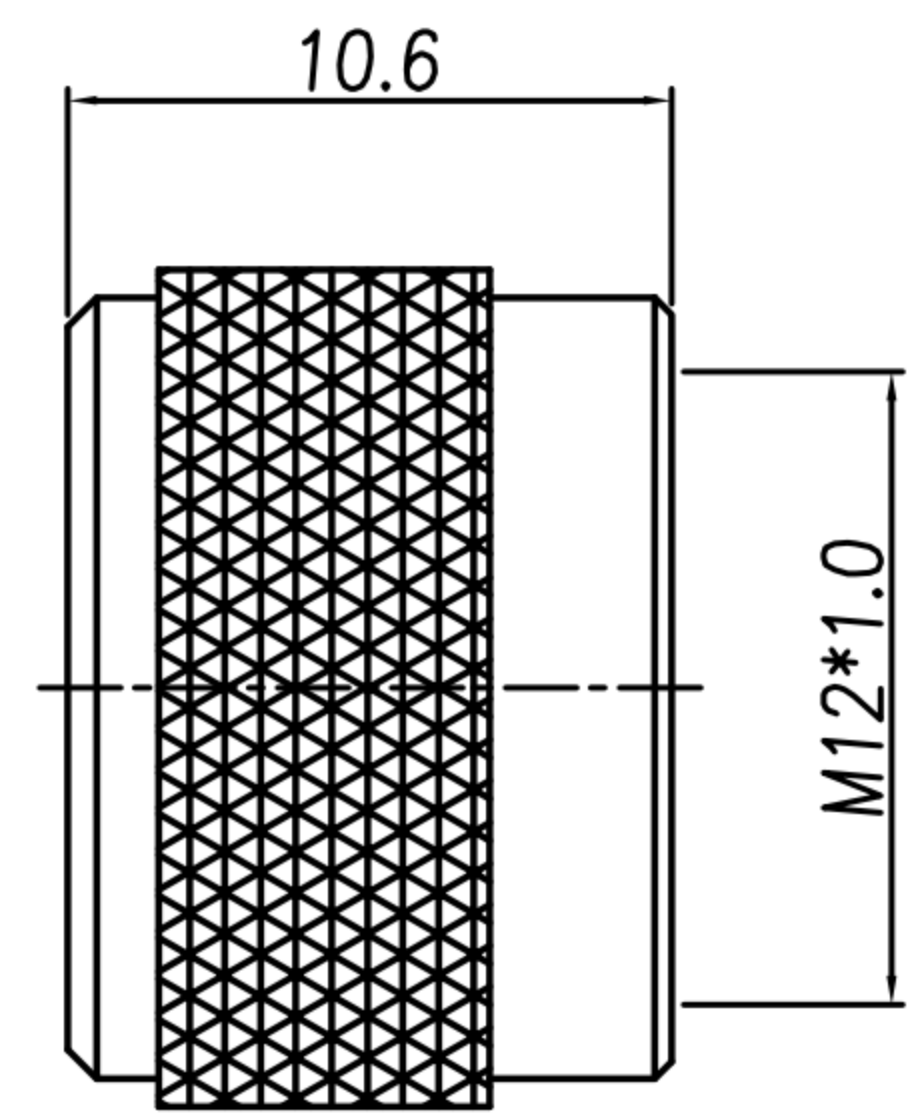
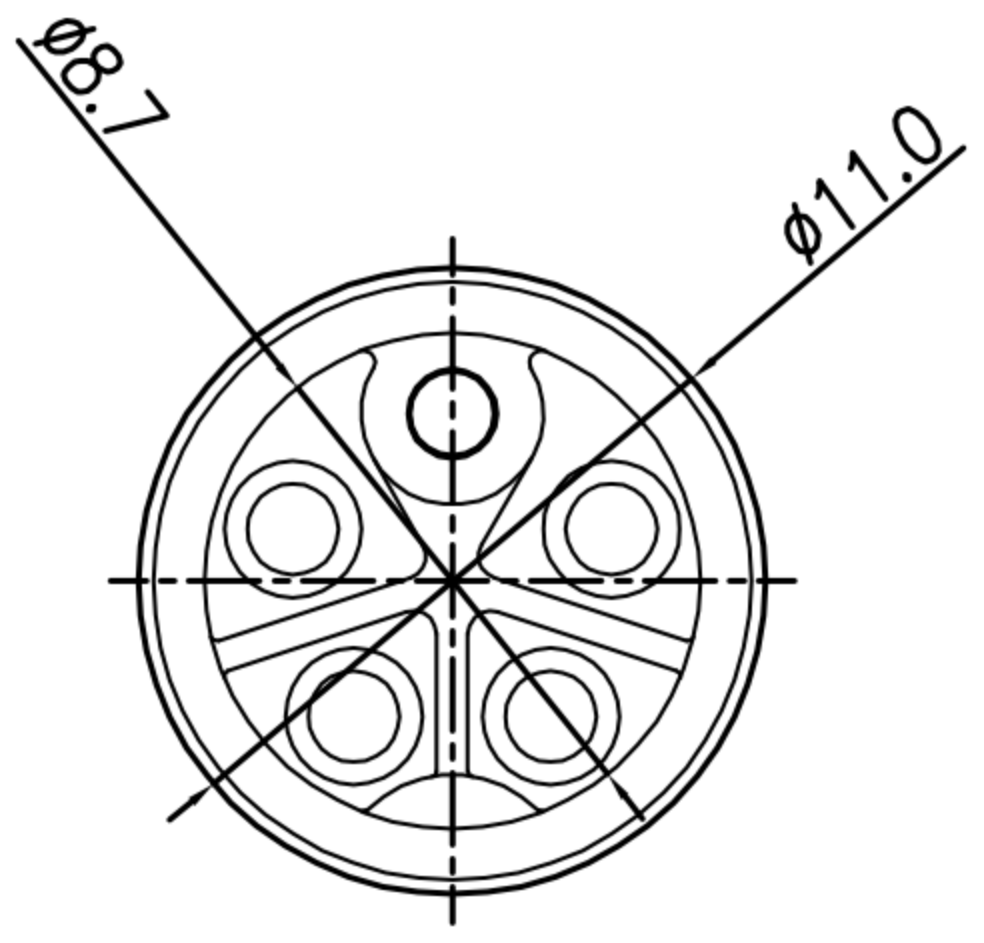
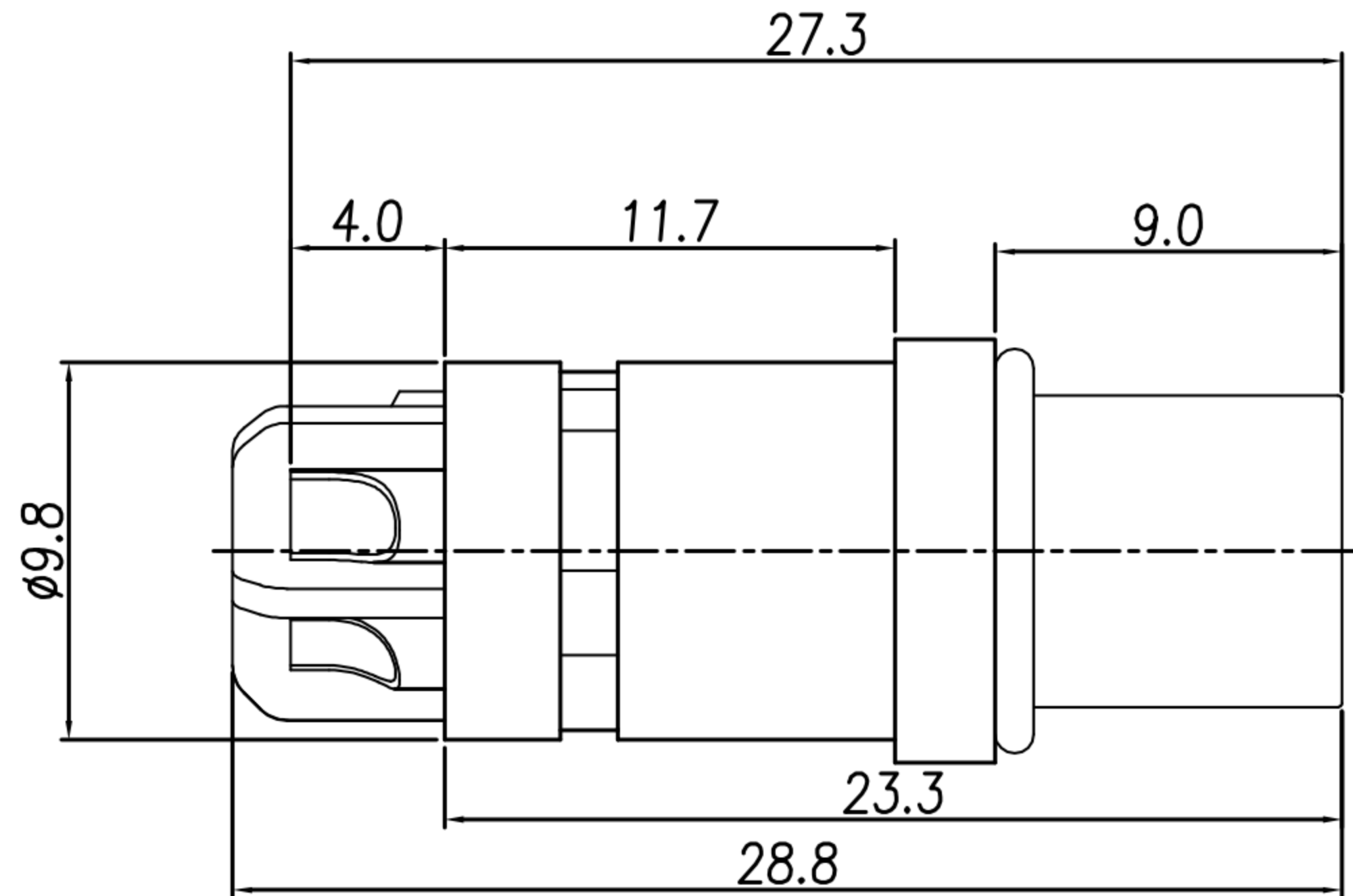


CUSTOMER DRAWING

REV.	DESCRIPTION	APPROVED BY	DATE	ECN NO.
A	PRELIMINARY RELEASE	Ku Chou	10/05/23'	
B				
C				



NUT

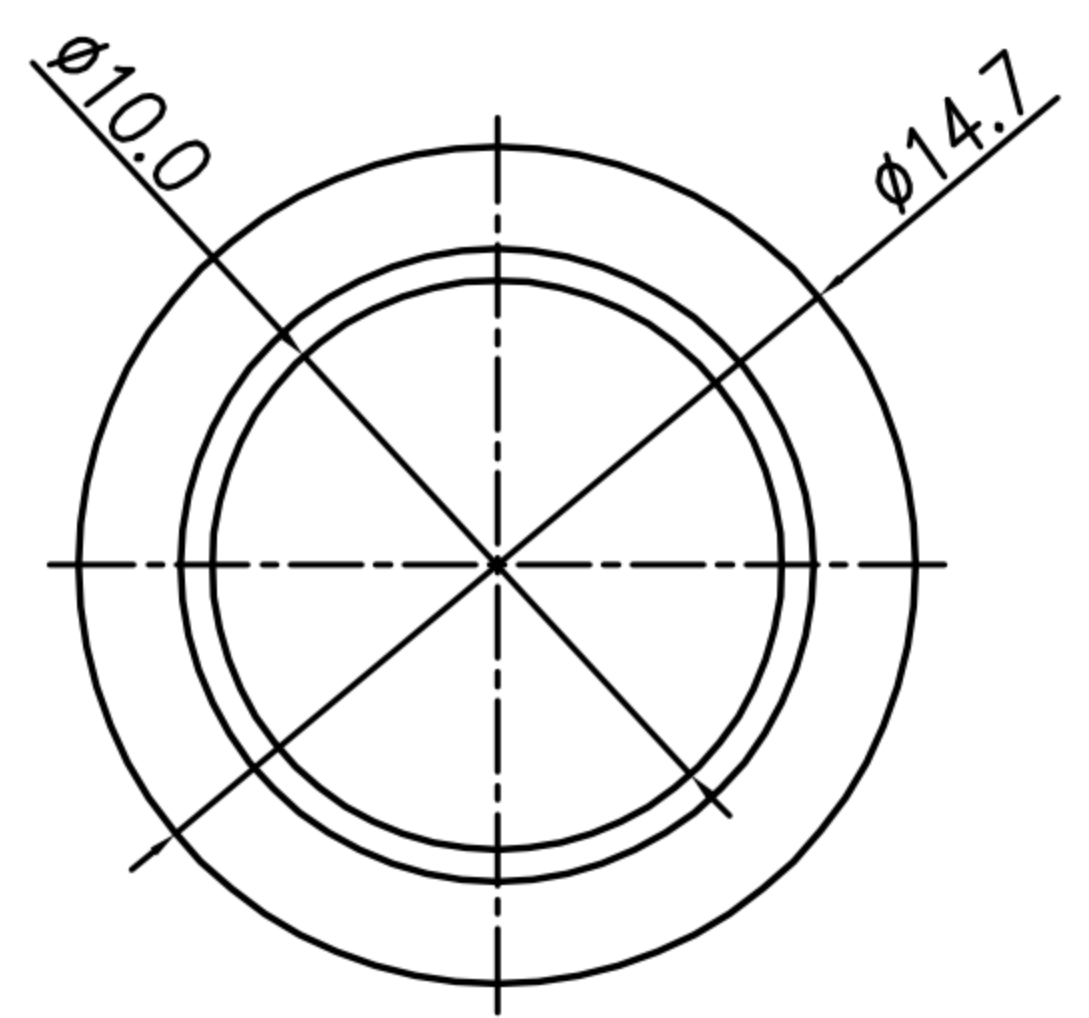


Table A

3 Way(2+PE)	4 Way(3+PE)
5 Way(4+PE)	
WP-05F2-234-11	

- MATERIAL :
  - 1-1. HOUSING : PA66 UL94V-0 ; COLOR : BLACK
  - 1-2. CONTACT : BRASS
  - 1-3. NUT : BRASS
  - 1-4. O-RING : EPDM
- FINISH :
  - 2-1. CONTACT : 10u" MIN. GOLD PLATED
  - 2-2. NUT : NICKEL PLATED
- ELECTRICAL SPECIFICATION :
  - 3-1. RATED CURRENT: 12A
  - 3-2. RATED VOLTAGE : 630 V
  - 3-3. WATER PROOF: IP67
- ENVIRONMENTAL :
  - 4-1. OPERATION TEMPERATURE : -40c~85c

DRAWN	Emily Suen	APP'D	Ku Chou	UNIT	mm	TOLERANCE		广东科斯达电子科技有限公司 GUANG DONG KE SI DA ELECTRONIC TECHNOLOGY CO., LTD.	TITLE	WP M12(F) K-CODING MOLDED WITH CABLE			SHEET	
CHK'D	Ku Chou			SCALE	1:1	.x ±0.20 .xx ±0.10 .xxx ±0.05 .xxxx ±0.03 ANGULAR ±1°			PART NO.	SEE TABLE A	DWG NO.	QC10715	VERSION	