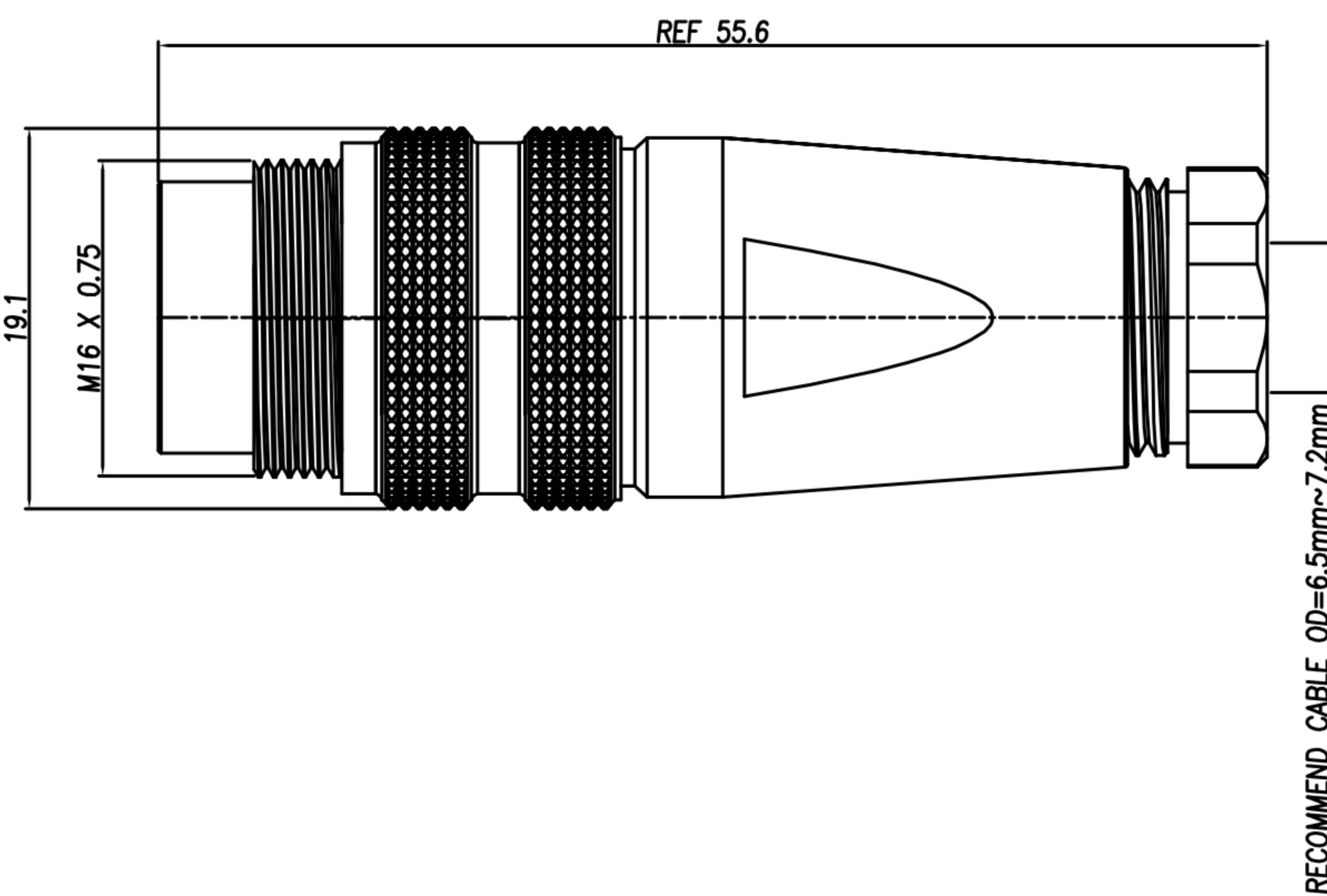
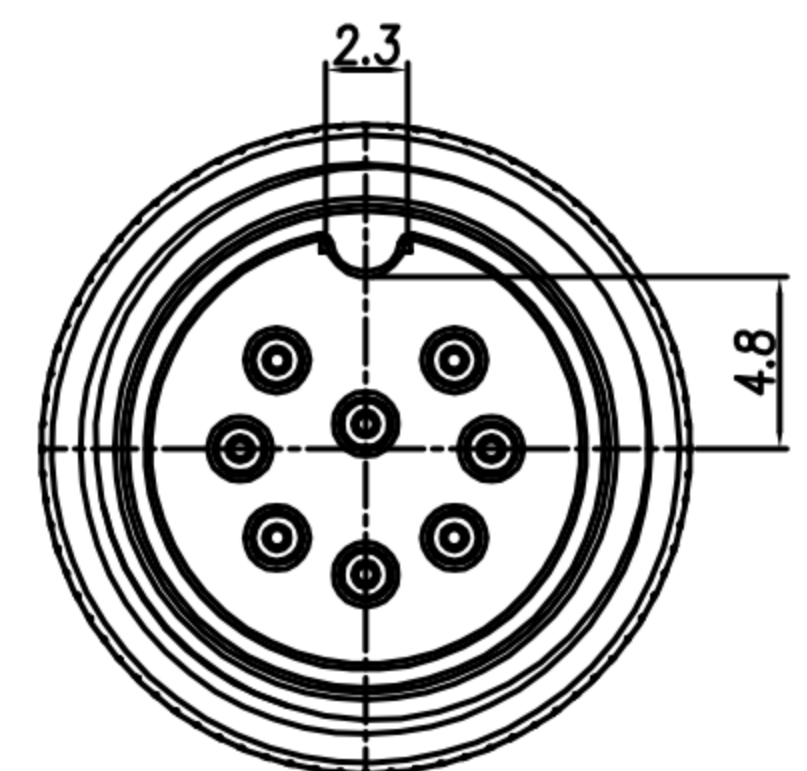


CUSTOMER DRAWING

| REV. | DESCRIPTION | APPROVED BY | DATE | ECN NO. |
|------|-----------------|-------------|-----------|---------|
| △A | RELEASE | Emily Suen | 23/08/12' | |
| △B | 修改RATED CURRENT | Ku | 26/06/18' | |
| △C | 新物料 | LED | 19/07/18' | |
| △D | 新物料 | LED | 22/11/19' | |



1. MATERIAL :
- 1-1. HOUSING : NYLON UL94V-0 ; COLOR : BLACK
 - 1-2. CONTACT : BRASS
 - 1-3. MAIN BODY : ZINC ALLOY
 - 1-4. LOCK SHELL : BRASS
 - 1-5. SPRING : STAINLESS
 - 1-6. ISOLATION : PVC
 - 1-7. CLAMPS : ZINC ALLOY
 - 1-8. CLAMPS BODY : ZINC ALLOY
 - 1-9. SCREW : SPCC
 - 1-10. BACK BODY : BRASS
 - 1-11. O-RING : SILICONE ; COLOR : RED
 - 1-12. GLAND : SILICONE COLOR : BLACK
 - 1-13. GLAND CAGE : POM ; COLOR : WHITE
 - 1-14. GLAND NUT : ALUMINUM ALLOY
2. FINISH :
- 2-1. CONTACT : GOLD FLASH
 - 2-2. MAIN BODY : NICKEL PLATED
 - 2-3. LOCK SHELL : NICKEL PLATED
 - 2-4. CLAMPS : NICKEL PLATED
 - 2-5. CLAMPS BODY : NICKEL PLATED
 - 2-6. SCREW : NICKEL PLATED
 - 2-7. BACK BODY : NICKEL PLATED
 - 2-8. GLAND NUT : SATING NICKEL PLATED
3. ELECTRICAL SPECIFICATION :
- △3-1. Rated current : 3PIN~8PIN 5A ; 12PIN 3A
 - 3-2. Rated Voltage : 3PIN~8PIN 250V ;12PIN 60V
 - 3-3. Water proof : IP67
4. Environmental :
- 4-1. Operation Temperature : -20 ℃~85℃

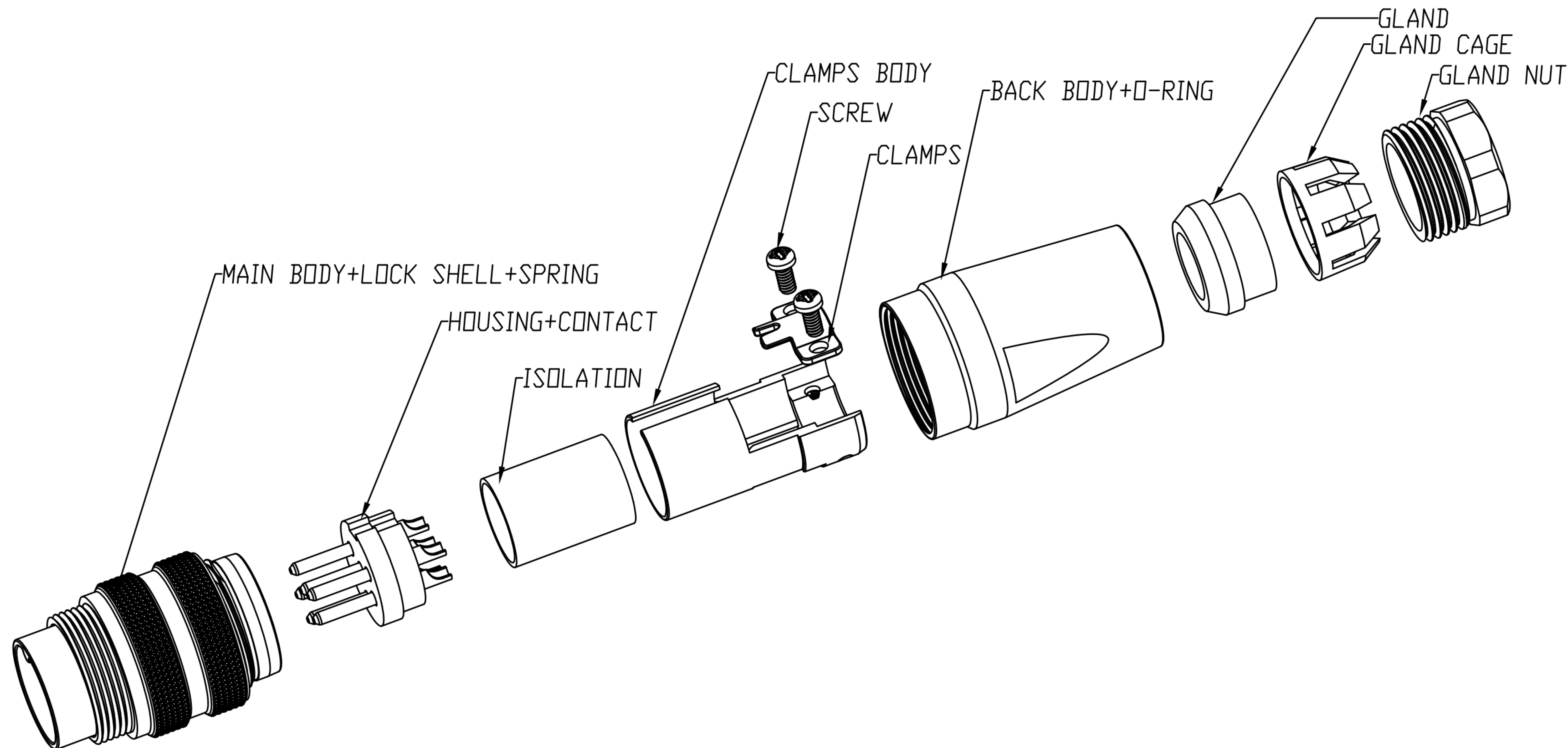
| Diagram | Diagram | Diagram | Diagram | Diagram | Diagram | Diagram | Diagram | Diagram |
|------------|------------|------------|---------------|------------|------------|---------------|------------|---------------|
| | | | | | | | | |
| DI-03M2-01 | DI-04M2-08 | DI-05M2-06 | DI-05M2-23-11 | DI-06M2-07 | DI-07M2-04 | DI-07M2-15-11 | DI-08M2-08 | DI-12M2-17-11 |

| | | | | | | | | | | | | | |
|-------|------------|-------|---------|-------|-----|--|--|--|----------|--------------------------|---------|--------|---------|
| DRAWN | Mark Kao | APP'D | Ku Chou | UNIT | mm | TOLERANCE | | 广东科斯达电子科技有限公司 GUANG DONG KE SI DA ELECTRONIC TECHNOLOGY CO., LTD. | TITLE | WP DIN (M) Assembly type | | | SHEET |
| CHK'D | Emily Suen | | | SCALE | 1:1 | .x ±0.20 .xx ±0.10 .xxx ±0.05 .xxxx ±0.03 ANGULA ±1° | | | PART NO. | SEE TABLE A | DWG NO. | QC5926 | VERSION |

CUSTOMER DRAWING

| REV. | DESCRIPTION | APPROVED BY | DATE | ECN NO. |
|------|-------------|-------------|-----------|---------|
| △A | RELEASE | Emily Suen | 23/08/12' | |
| △B | | | | |
| △C | | | | |

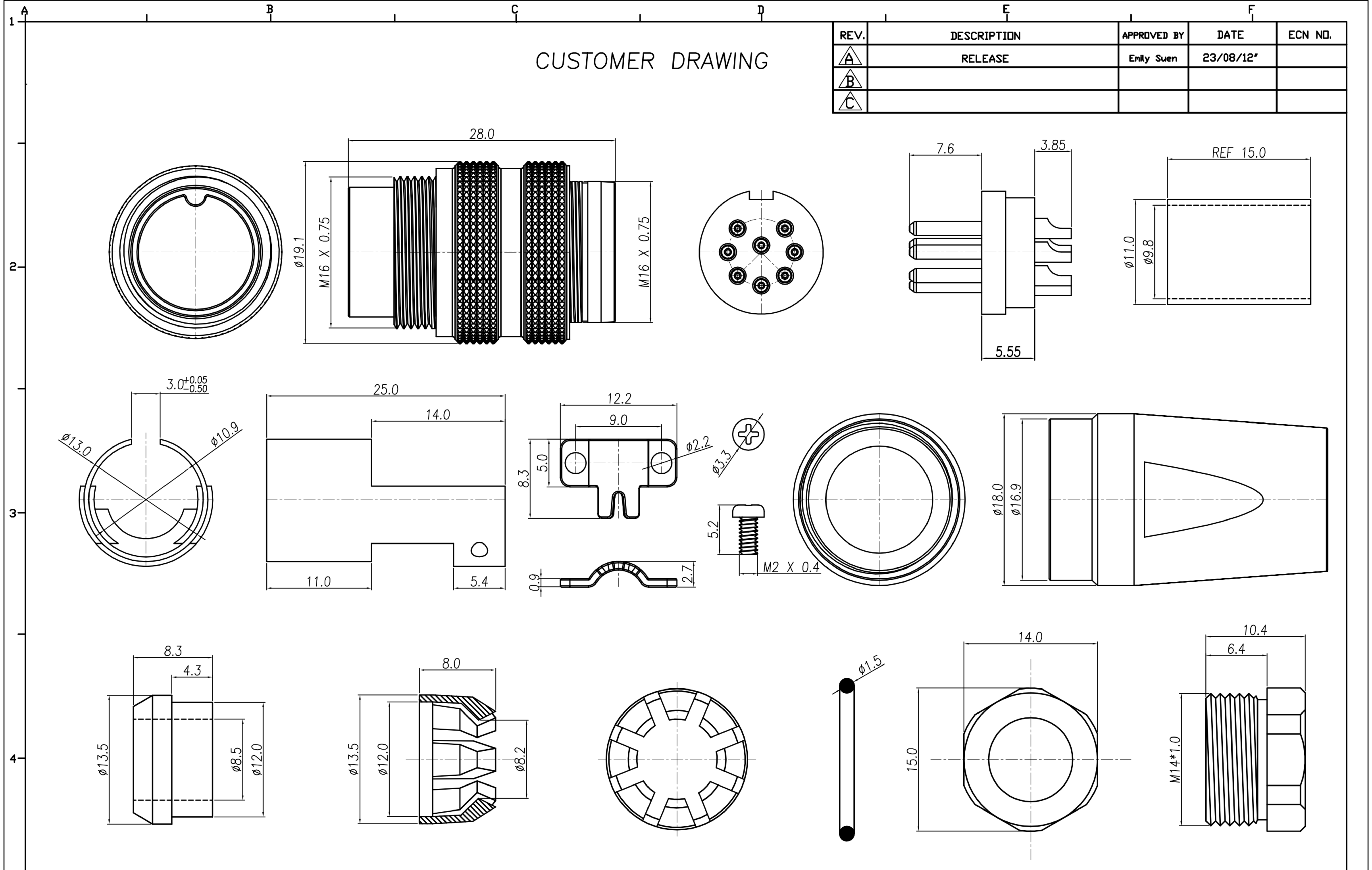
ASSEMBLY INSTRUCTION



| | | | | | | | | | | | | | |
|-------|------------|-------|---------|-------|-----|--|--|--|----------|--------------------------|---------|--------|---------|
| DRAWN | Mark Kao | APP'D | Ku Chou | UNIT | mm | TOLERANCE | | 广东科斯达电子科技有限公司 GUANG DONG KE SI DA ELECTRONIC TECHNOLOGY CO., LTD. | TITLE | WP DIN (M) Assembly type | | | SHEET |
| CHK'D | Emily Suen | | | SCALE | 1:1 | .x ±0.20 .xx ±0.10 .xxx ±0.05 .xxxx ±0.03 ANGULA ±1° | | | PART NO. | SEE TABLE A | DWG NO. | QC5926 | VERSION |

CUSTOMER DRAWING

| REV. | DESCRIPTION | APPROVED BY | DATE | ECN NO. |
|------|-------------|-------------|-----------|---------|
| A | RELEASE | Emily Suen | 23/08/12' | |
| B | | | | |
| C | | | | |



| | | | | | | | | | | | | | | |
|-------|------------|-------|---------|-------|-----|-----------|--|--|-------|--------------------------|----------|-------------|---------|--------|
| DRAWN | Mark Kao | APP'D | Ku Chou | UNIT | mm | TOLERANCE | | | TITLE | WP DIN (M) Assembly type | | | SHEET | 3 |
| CHK'D | Emily Suen | | | SCALE | 1:1 | ANGULA | | | ±1° | | PART NO. | SEE TABLE A | DWG NO. | QC5926 |

广东科斯达电子科技有限公司
GUANG DONG KE SI DA ELECTRONIC TECHNOLOGY CO., LTD.