

CUSTOMER DRAWING

REV.	DESCRIPTION	APPROVED BY	DATE	ECN NO.
△A	RELEASE	Ku Chou	20/07/18'	
△B				
△C				

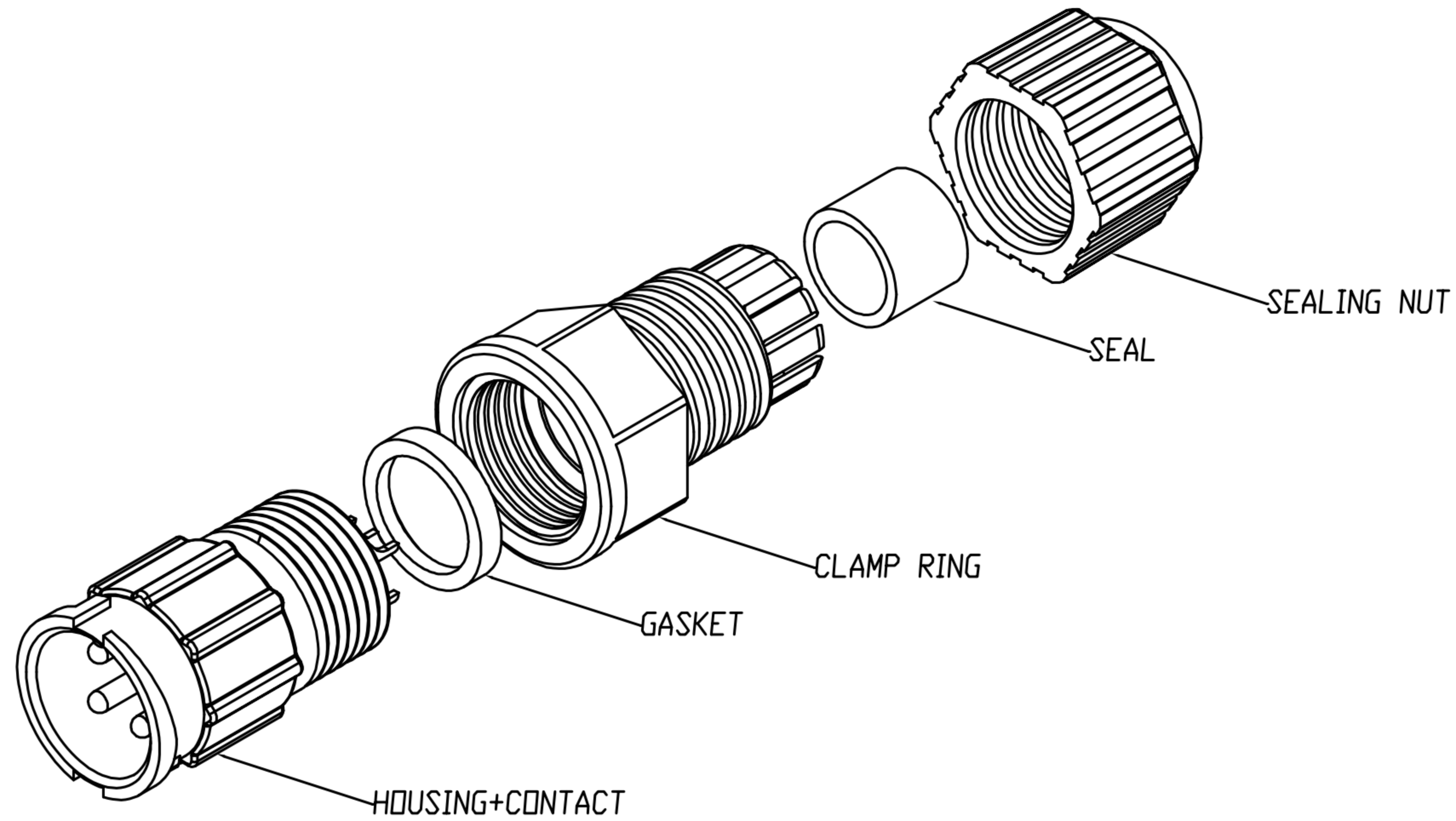
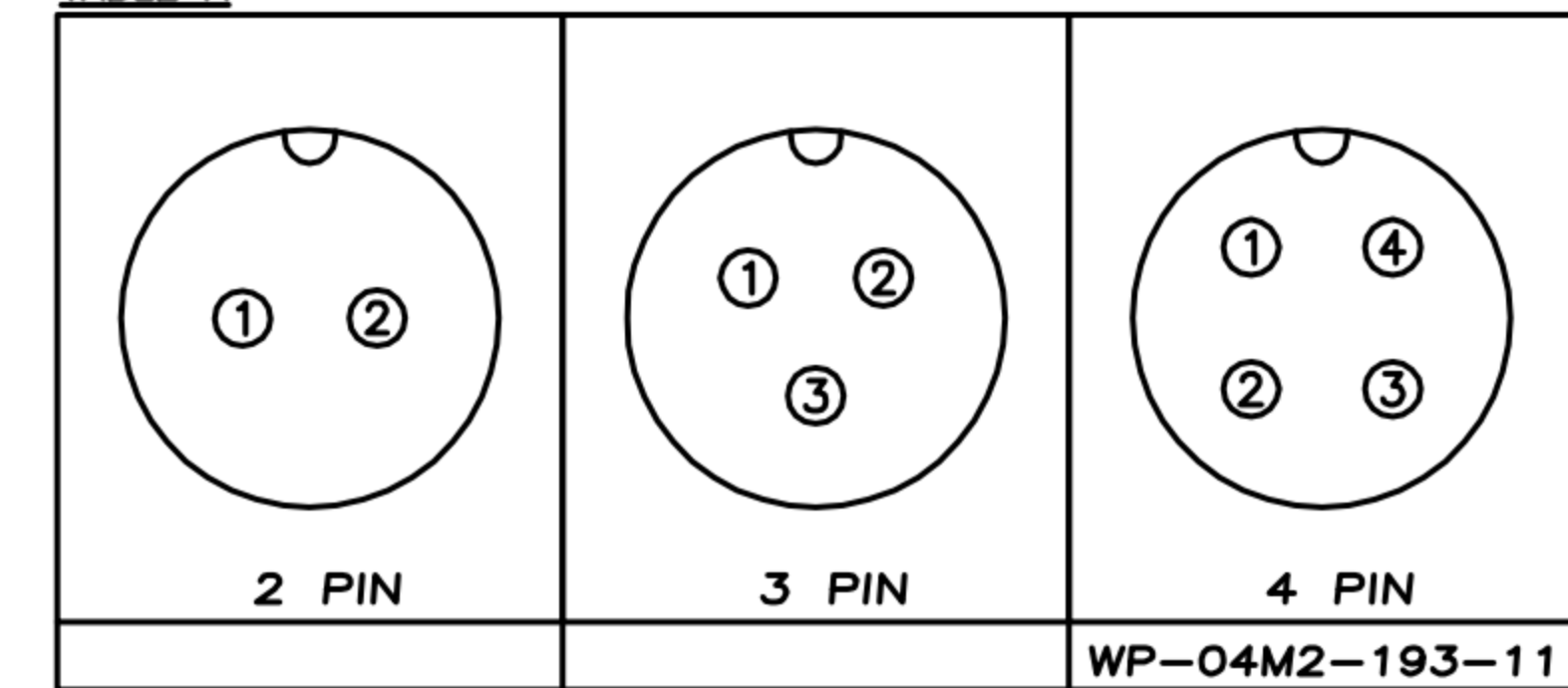
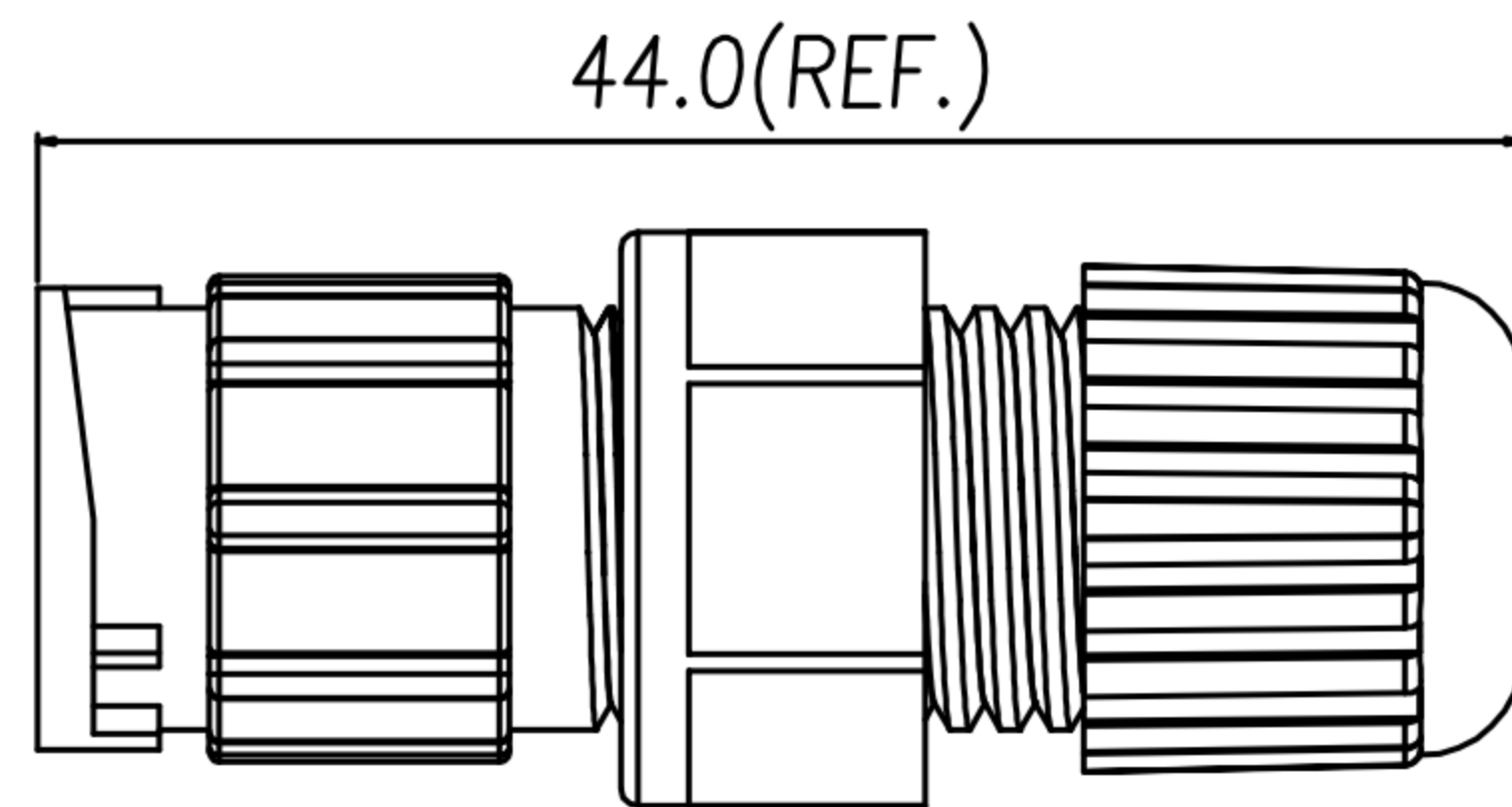


TABLE A



PIN ASSIGNMENTS
FRONT VIEW



1. MATERIAL :
 - 1-1. HOUSING : PA66
 - 1-2. CONTACT : BRASS
 - 1-3. GASKET : SILICONE
 - 1-4. CLAMP RING : PA66
 - 1-5. SEAL : SILICONE
 - 1-6. SEALING NUT : PA66
 - CABLE OD ϕ 4.5mm ~6.5mm
2. FINISH :
 - 2-1. CONTACT : GOLD FLASH PLATED.
3. ELECTRICAL SPECIFICATION :
 - 3-1. Rated current : 10A
 - 3-2. Rated voltage : 250V
 - 3-3. Water proof : IP67
4. Environmental :
 - 4-1. Operation Temperature : -40 $^{\circ}$ C~105 $^{\circ}$ C

DRAWN	Emily Suen	APP'D	Ku Chou	UNIT	mm	TOLERANCE			TITLE	WP (M) (LOCK) B SIZE ASSEMBLY TYPE(10A)			SHEET	
CHK'D	Ku Chou			SCALE	1:1	.x ± 0.20 .xx ± 0.10 .xxx ± 0.05 .xxxx ± 0.03 ANGULA $\pm 1^{\circ}$			PART NO.	SEE TABLE A	DWG NO.	QC9362	VERSION	