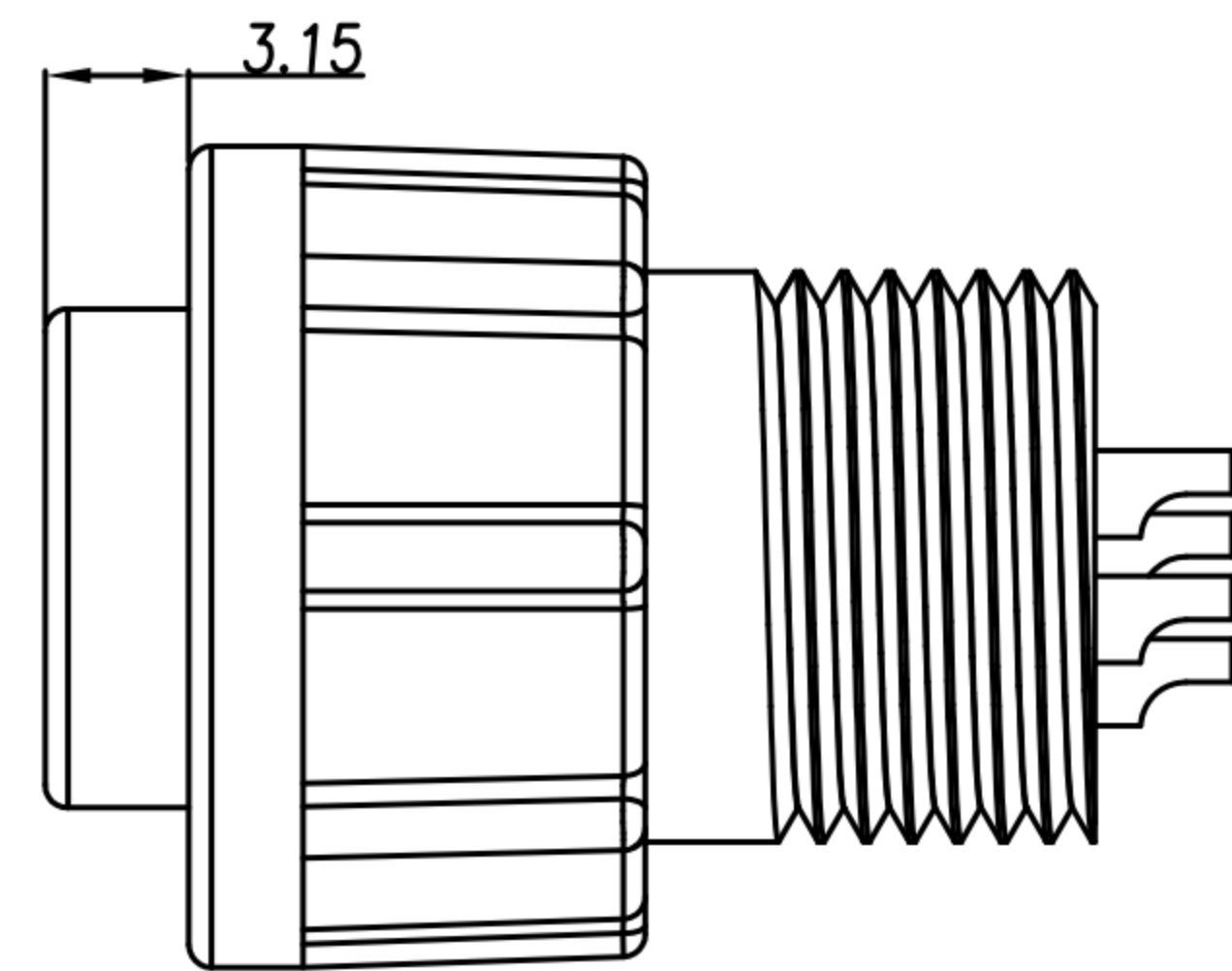
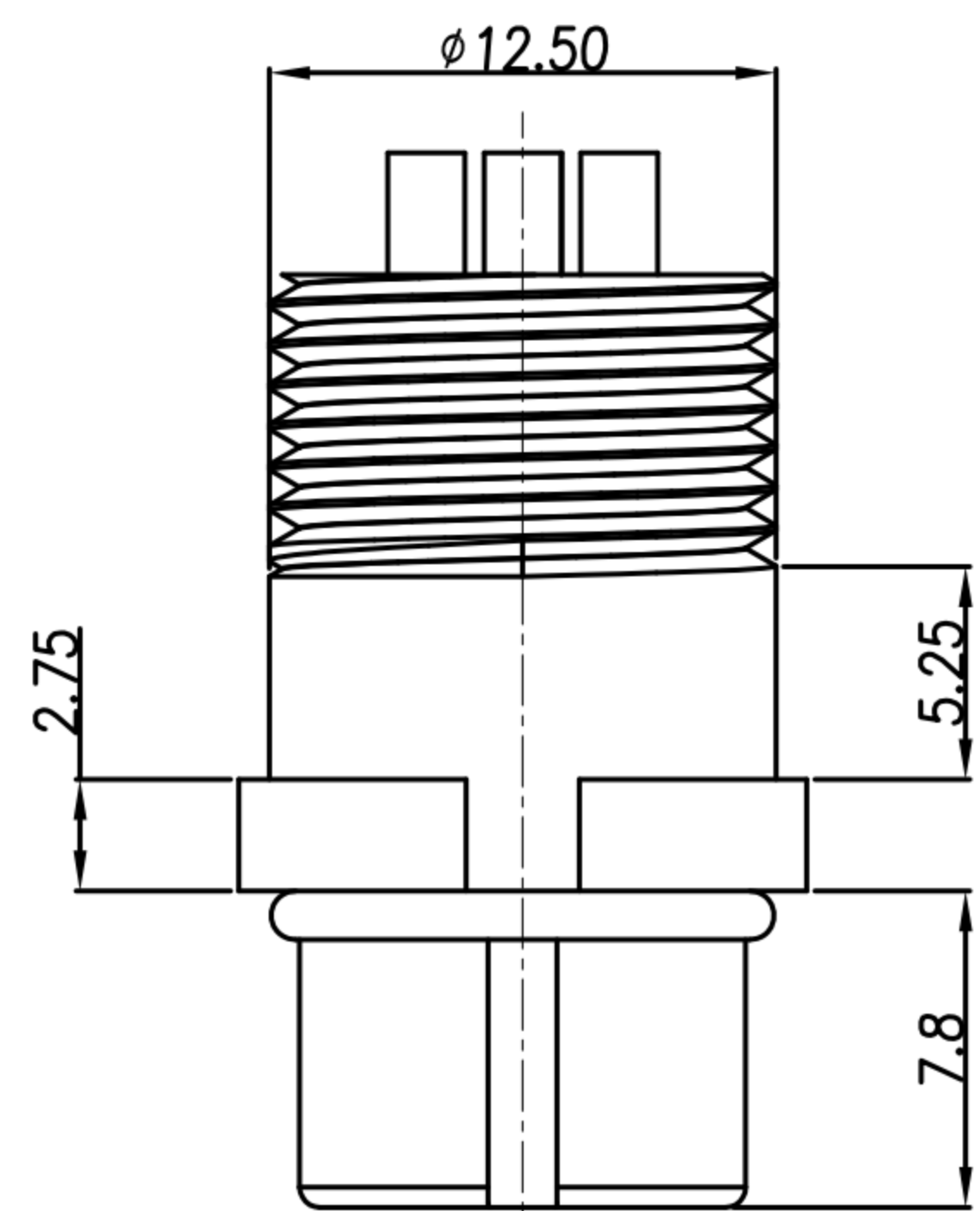


CUSTOMER DRAWING

REV.	DESCRIPTION	APPROVED BY	DATE	ECN NO.
A	RELEASE	Ku Chou	30/08/18'	
B				
C				



ASS'Y

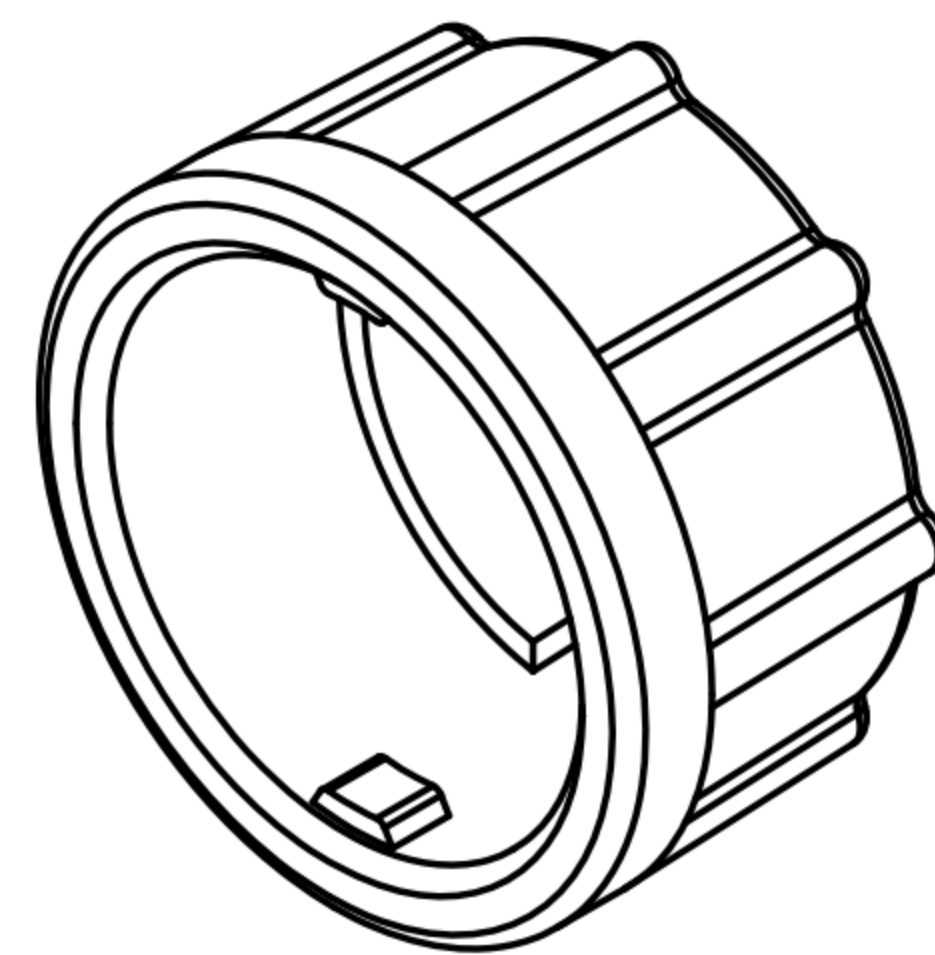
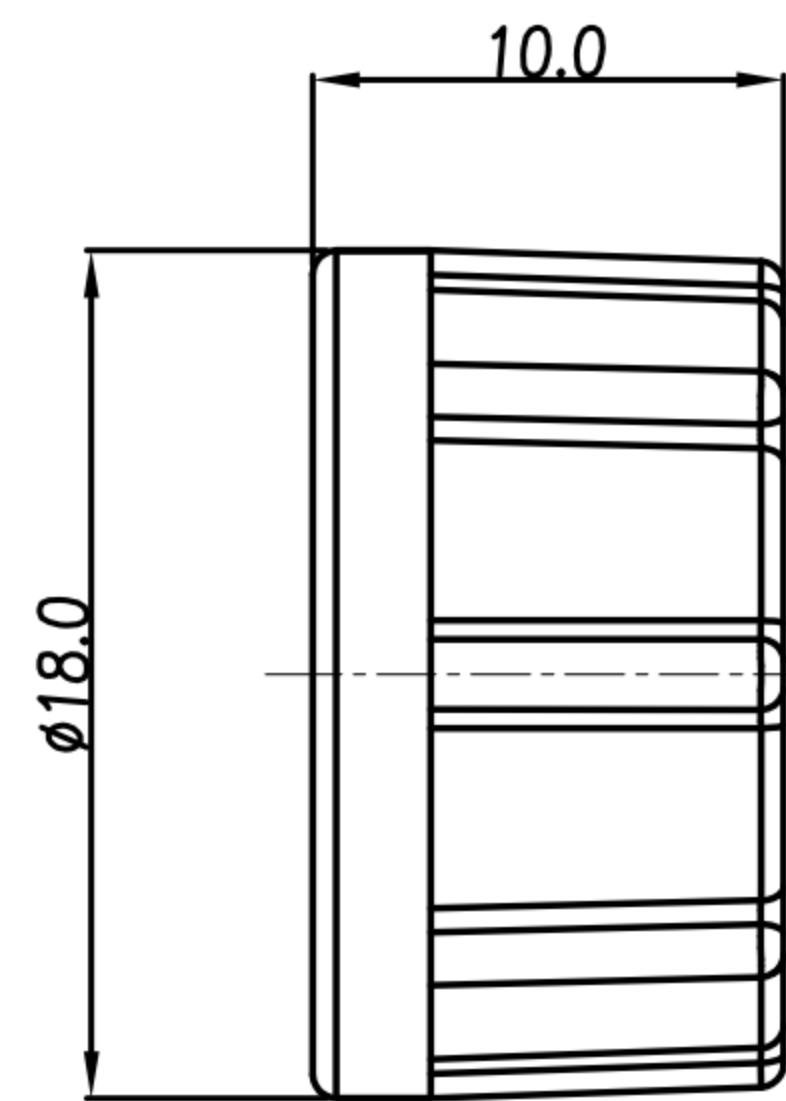
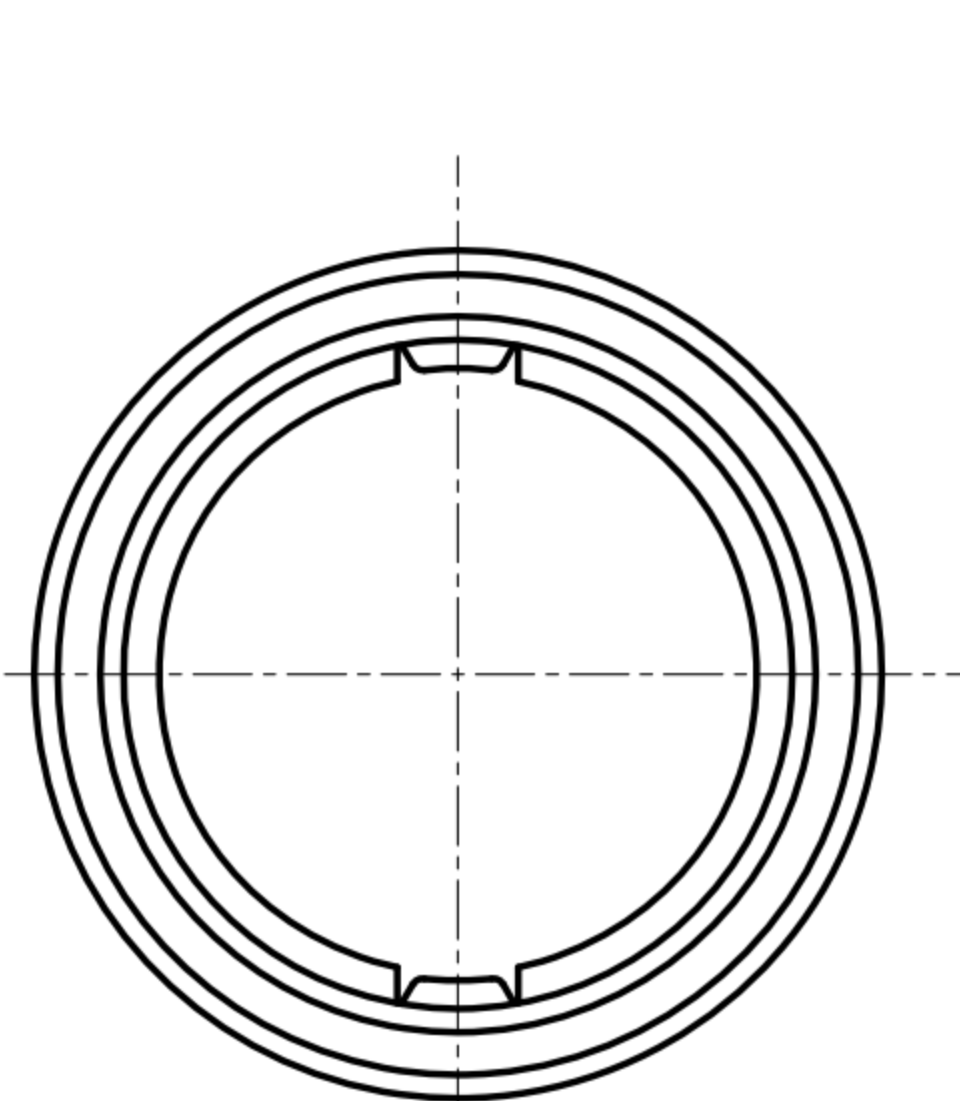
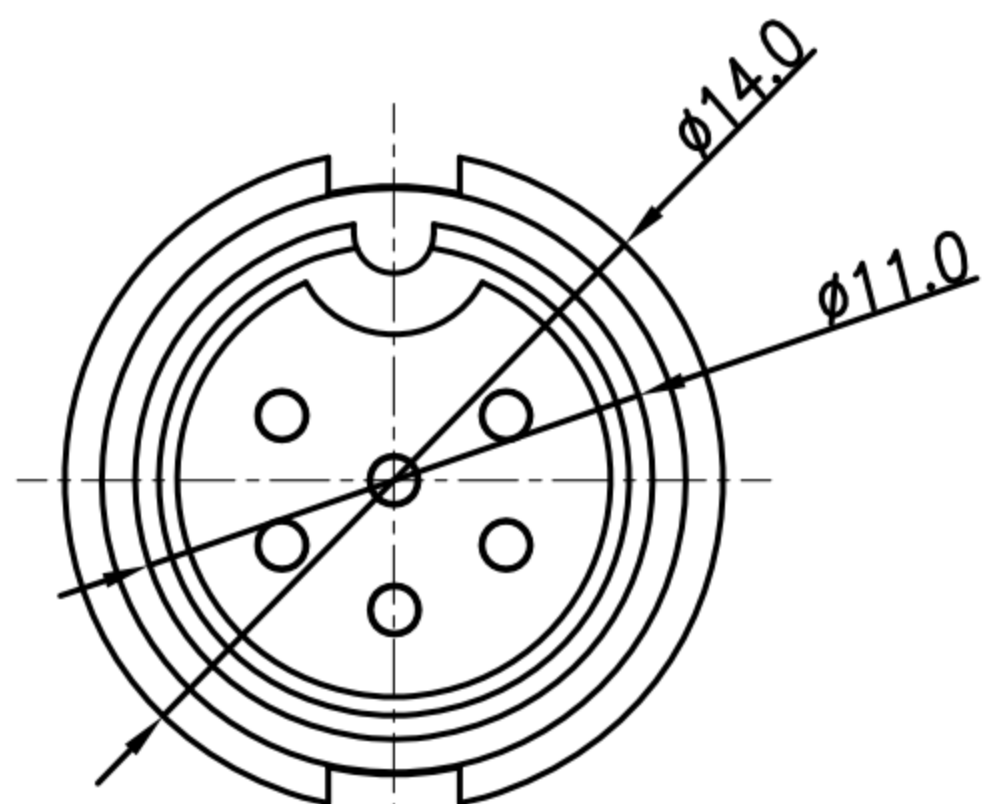
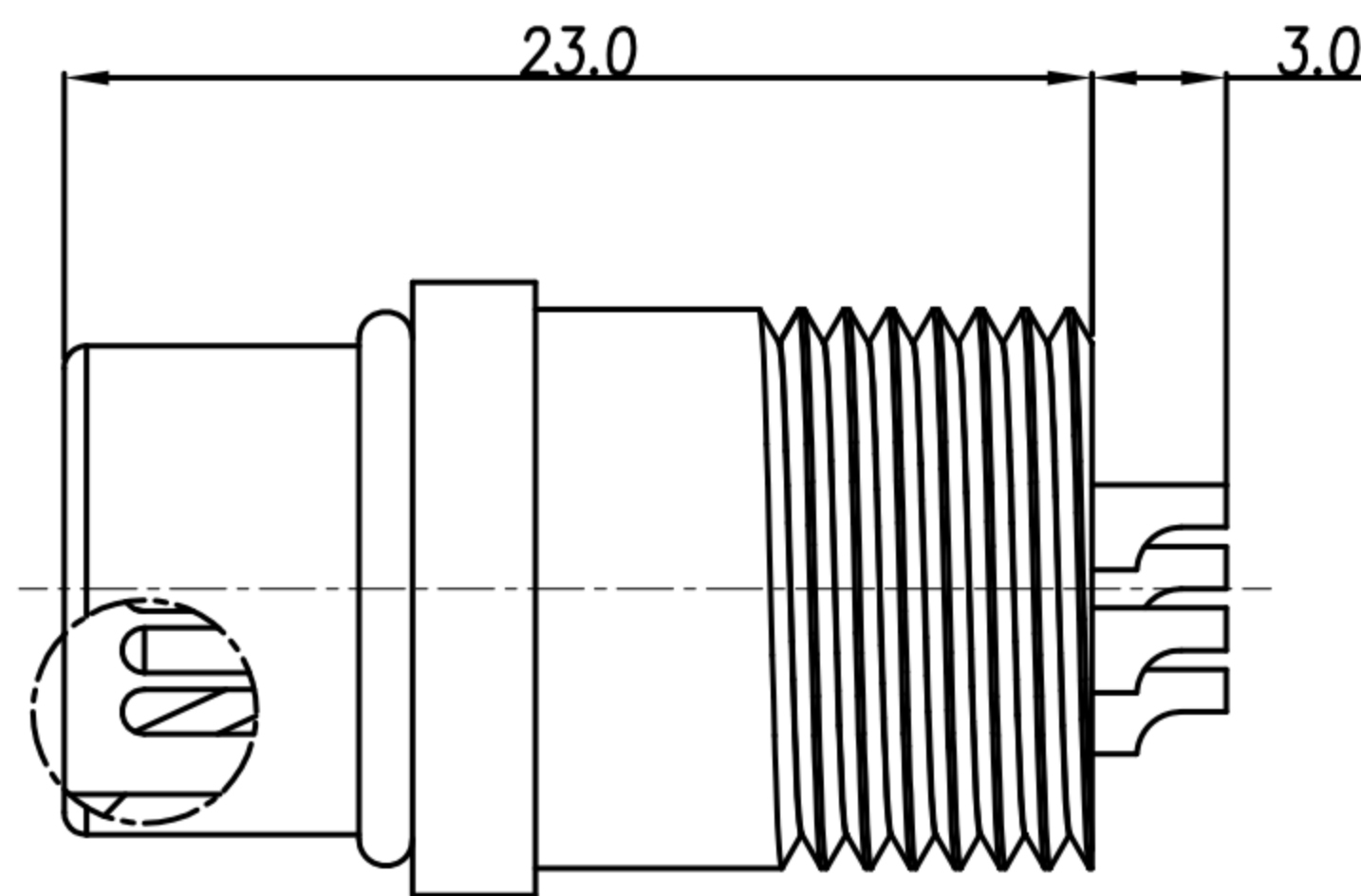


TABLE A

5 PIN	6 PIN	
WP-05M2-153-11	WP-06M2-78-11	
2 PIN	3 PIN	4 PIN
WP-02M2-58-11	WP-03M2-99-11	WP-04M2-227-11

PIN ASSIGMENTS
FRONT VIEW

- MATERIAL :
 - HOUSING : PA66
 - CONTACT : BRASS
 - O-RING : SILICONE
 - LOCK NUT : PA66
- FINISH :
 - CONTACT : GOLD FLASH PLATED.
- ELECTRICAL SPECIFICATION :
 - Rated current : 5A
 - Rated voltage : 250V
 - Water proof : IP67
- Environmental :
 - Operation Temperature : -20°C~80°C

DRAWN	Emily Suen	APP'D	Ku Chou	UNIT	mm	TOLERANCE		广东科斯达电子科技有限公司 GUANG DONG KE SI DA ELECTRONIC TECHNOLOGY CO., LTD.	TITLE	WP (F CONN/M PIN) (LOCK) B SIZE 规格-5A			SHEET	1
CHK'D	Ku Chou			SCALE	1:1				PART NO.	SEE TABLE A	DWG NO.	QC8729	VERSION	