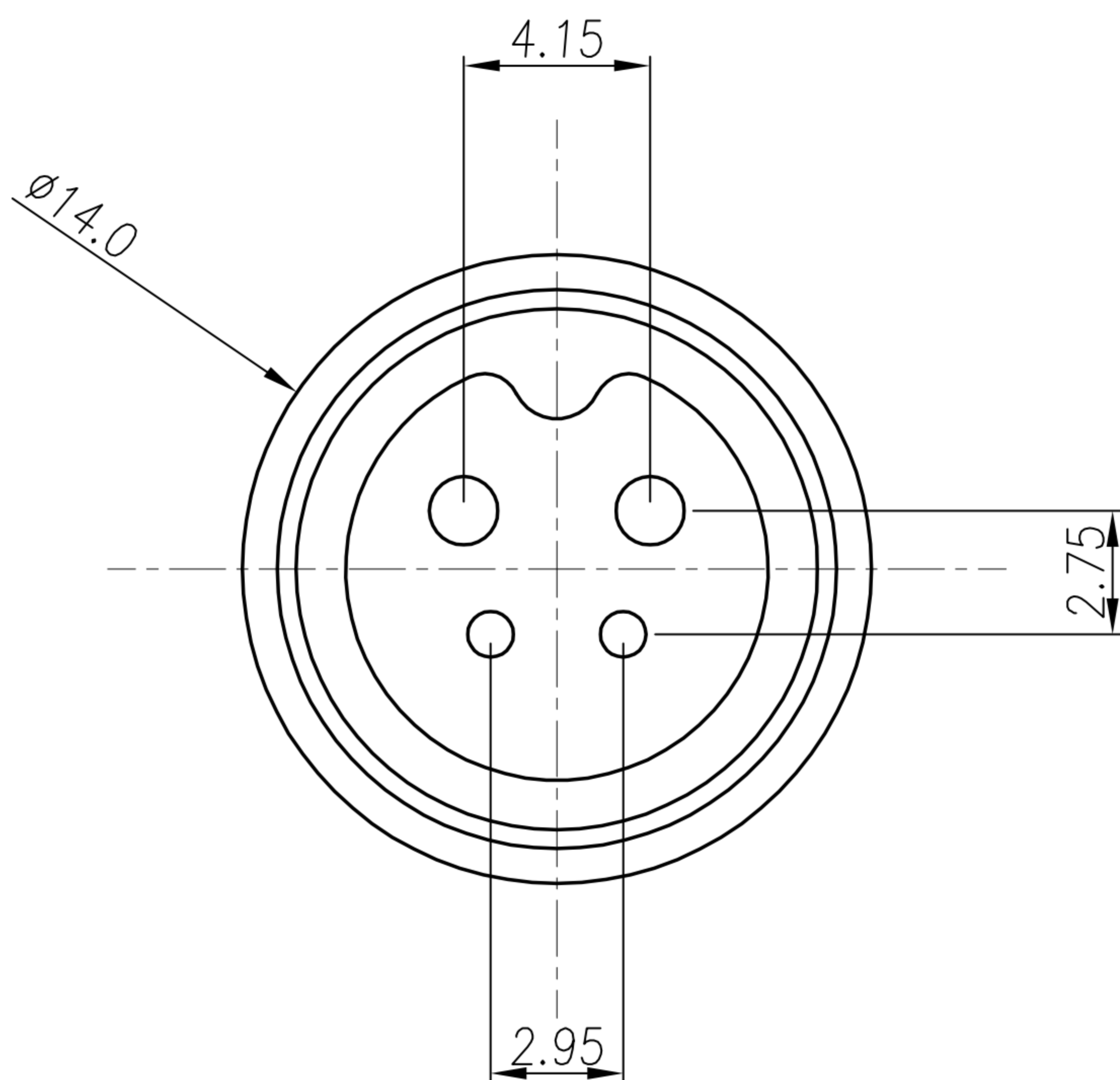
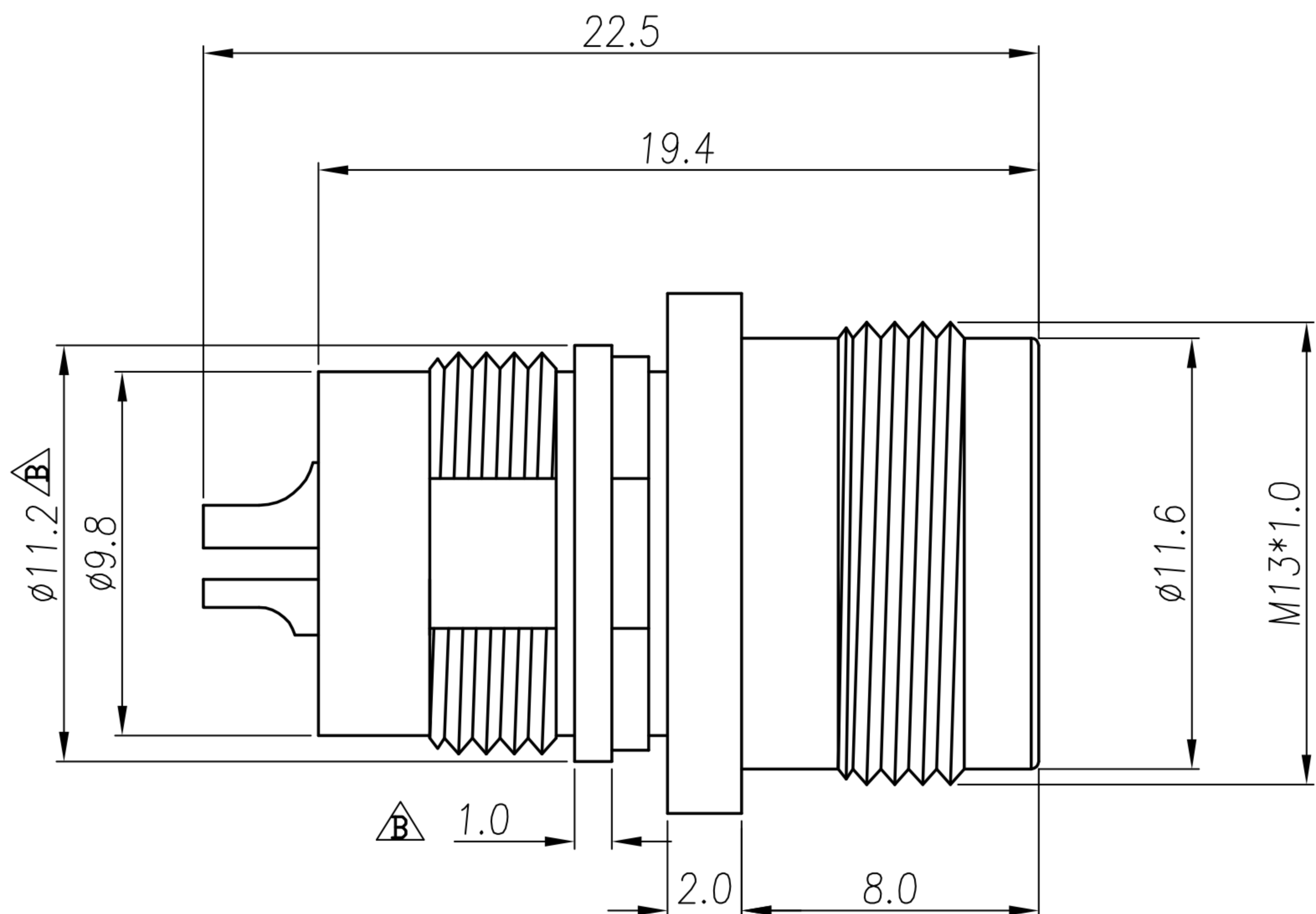


CUSTOMER DRAWING

REV.	DESCRIPTION	APPROVED BY	DATE	ECN NO.
△A	RELEASE	Fido Weng	07/05/12'	
△B	外觀&材質改變	Fido Weng	11/11/12'	ECN13007
△C				



1. MATERIAL :
 - 1-1. HOUSING : PBT ; COLOR : SEE TABLE A △A
 - 1-2. CONTACT : BRASS.
2. FINISH :
 - 2-1. CONTACT : SEE TABLE A
3. ELECTRICAL SPECIFICATION :
 - 3-1. Rated current : 10A & 3A
 - 3-2. Rated Voltage : 125V
 - 3-3. Water proof : IP67
4. Environmental :
 - 4-1. Operation Temperature : -20℃~85℃

TABLE A/表A

WP-04M2-142-11	GOLD FLASH	BLACK
WP-04M2-76	GOLD FLASH	WHITE
WP-04M2-77	NICKEL PLATED	WHITE
PART NO.	PLATED<CONTACT>	COLOR<HOUSING>