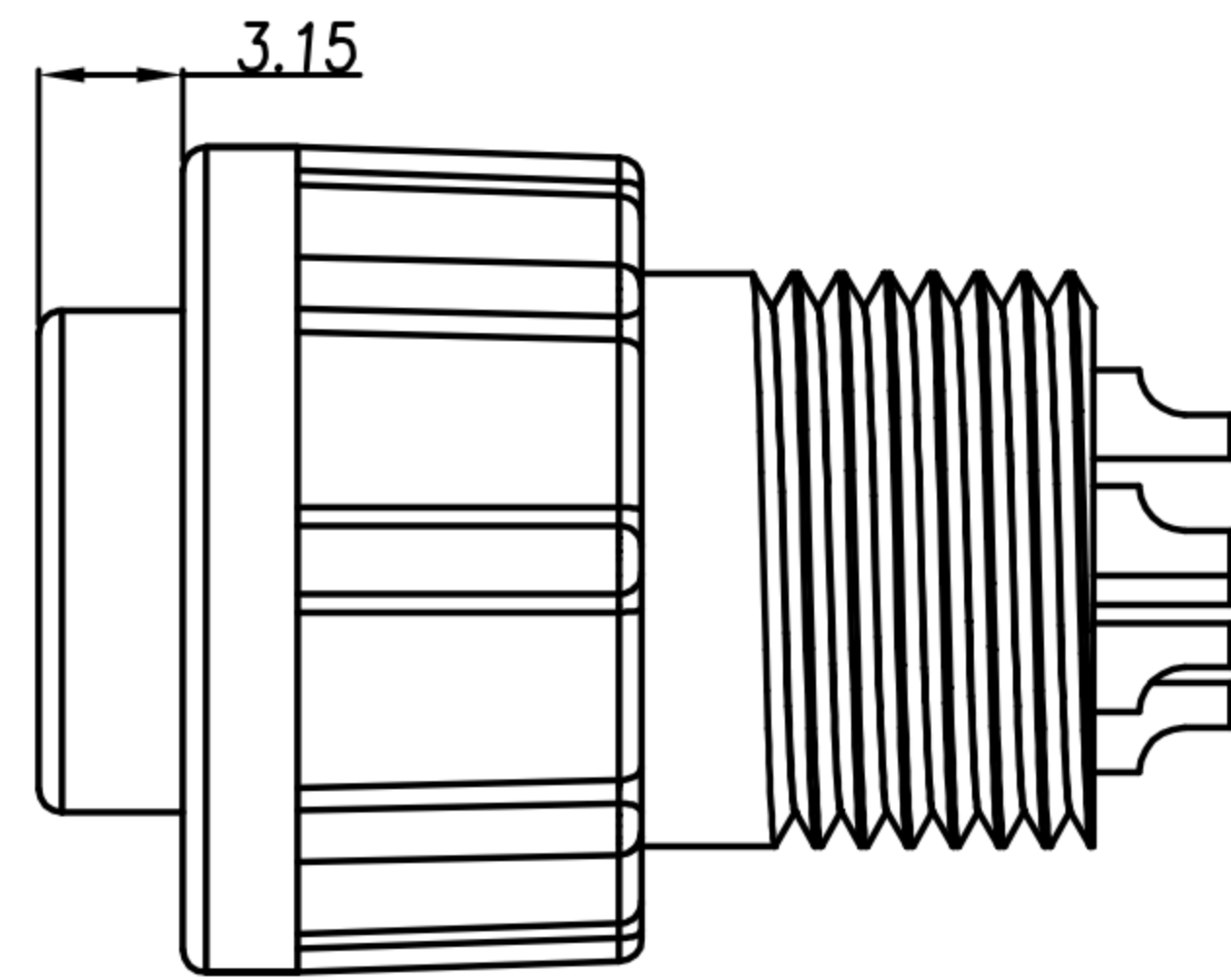
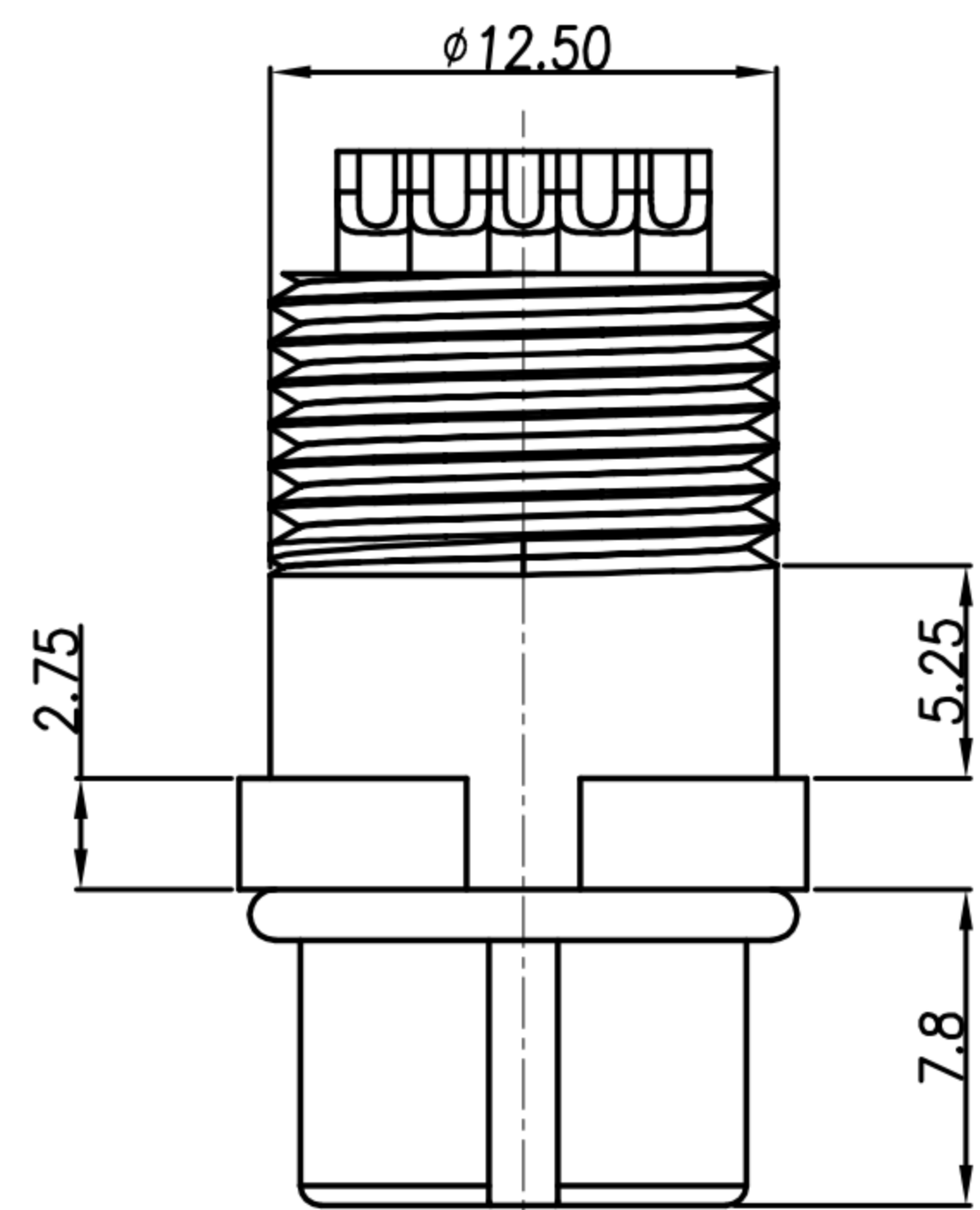


CUSTOMER DRAWING

| REV. | DESCRIPTION | APPROVED BY | DATE      | ECN NO. |
|------|-------------|-------------|-----------|---------|
| A    | RELEASE     | Ku Chou     | 25/06/18' |         |
| B    |             |             |           |         |
| C    |             |             |           |         |



ASS'Y

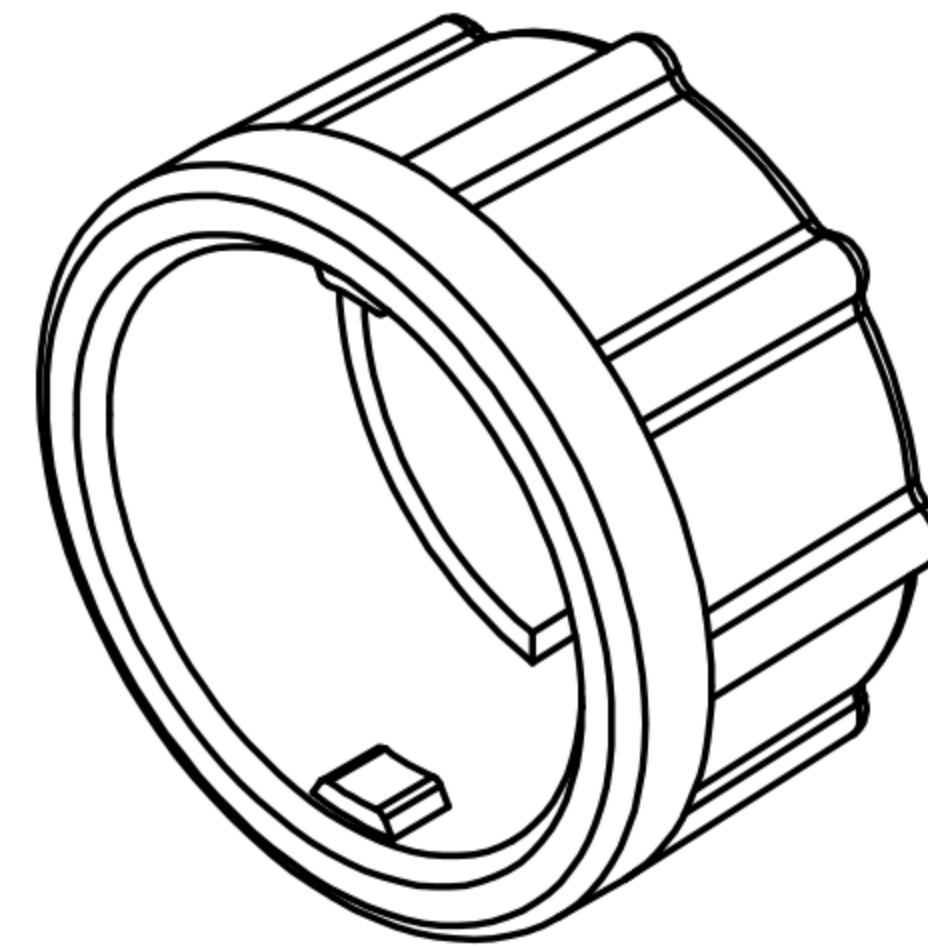
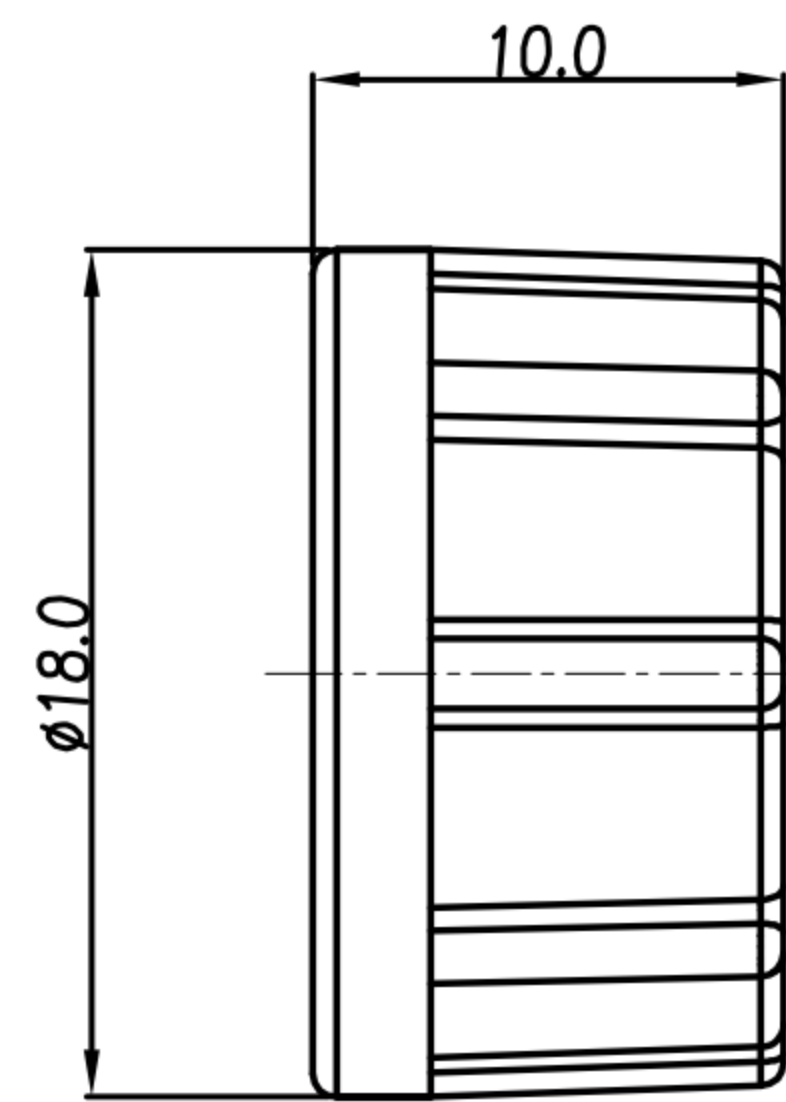
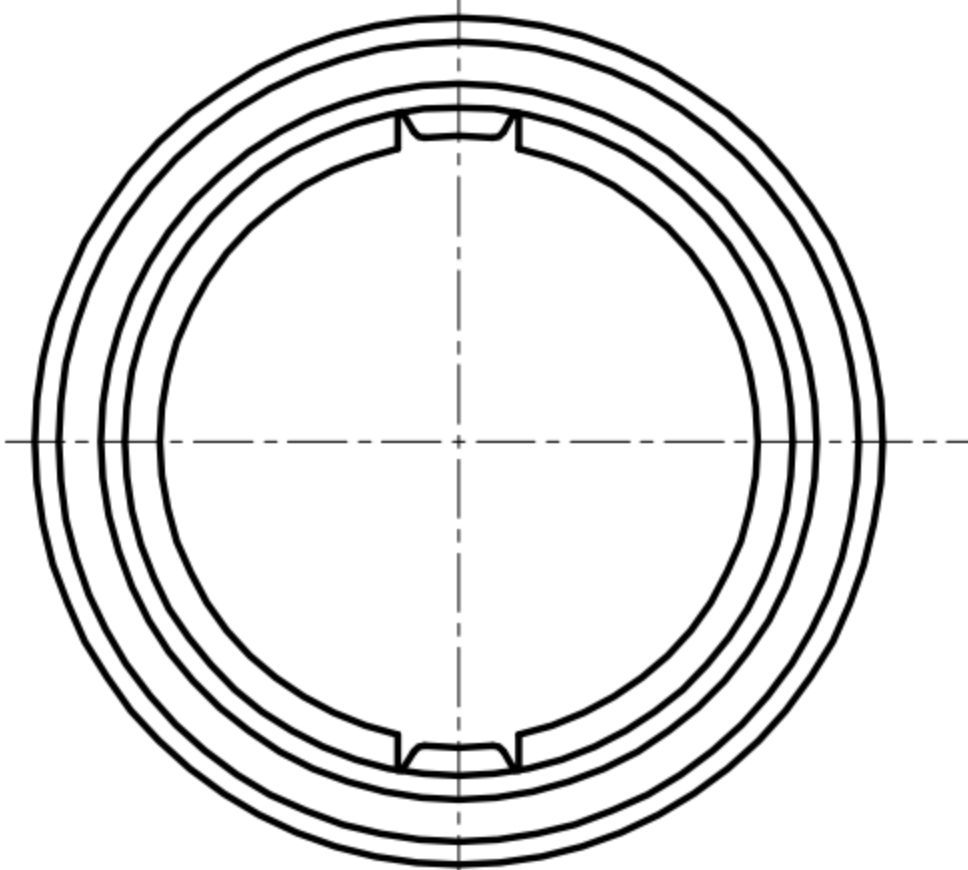
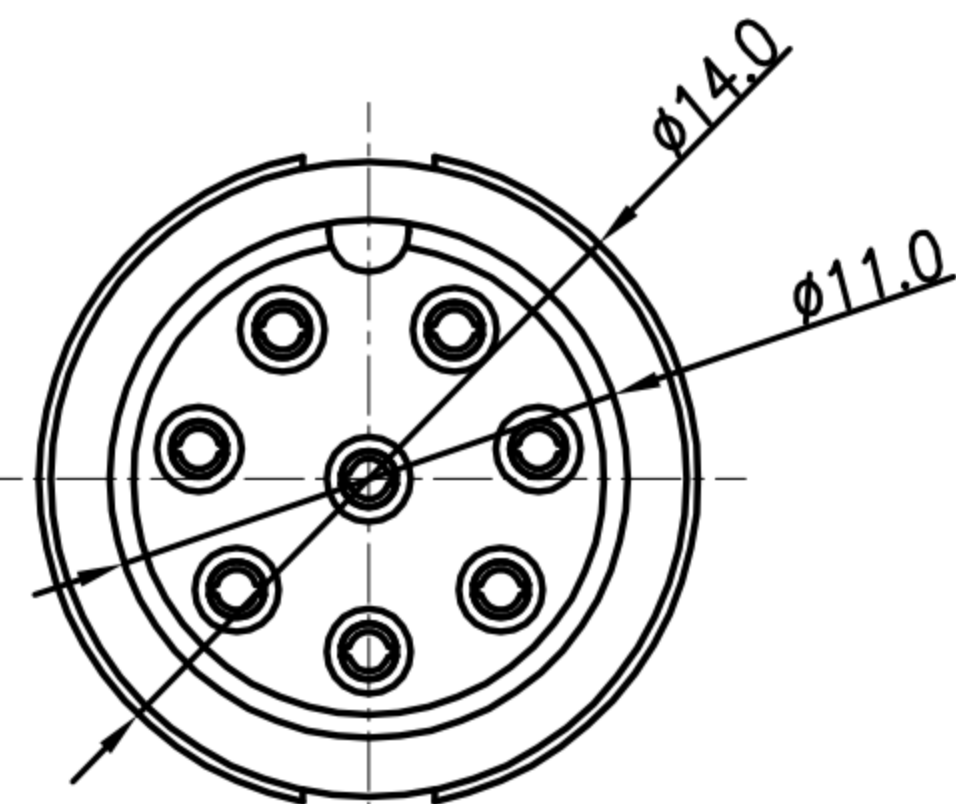
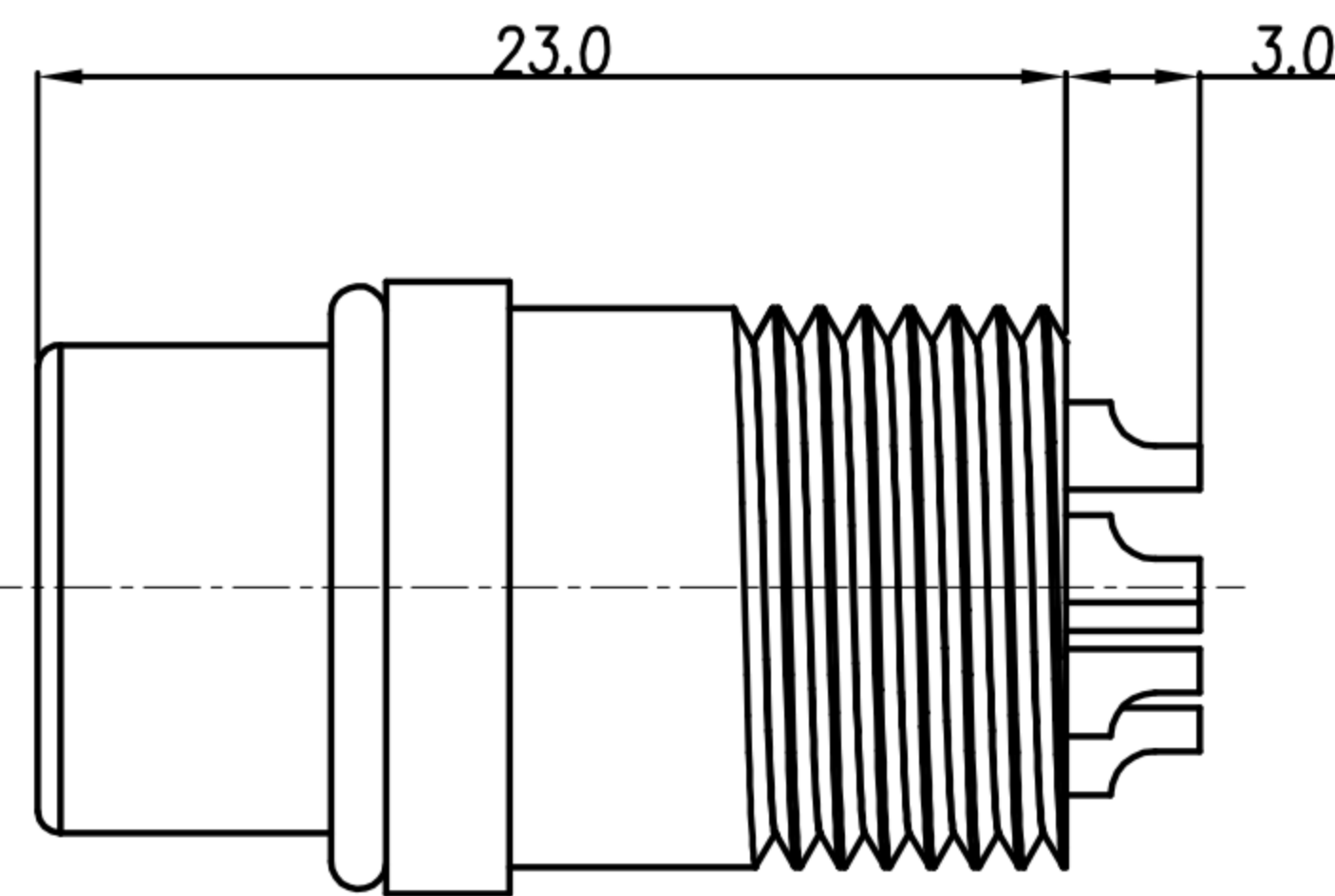


TABLE A

|               |               |                |                |
|---------------|---------------|----------------|----------------|
|               |               |                |                |
| 6 PIN         | 7 PIN         | 8 PIN          |                |
| WP-06F2-61-11 | WP-07F2-08-11 | WP-08F2-95-11  |                |
|               |               |                |                |
| 2 PIN         | 3 PIN         | 4 PIN          | 5 PIN          |
| WP-02F2-49-11 | WP-03F2-89-11 | WP-04F2-188-11 | WP-05F2-146-11 |

PIN ASSIGMENTS  
FRONT VIEW

- MATERIAL :
  - HOUSING : PA66
  - CONTACT : BRASS
  - O-RING : SILICONE
  - LOCK NUT : PA66
- FINISH :
  - CONTACT : GOLD FLASH PLATED.
- ELECTRICAL SPECIFICATION :
  - Rated current : 5A
  - Rated voltage : 250V
  - Water proof : IP67
- Environmental :
  - Operation Temperature : -20°C~80°C

|       |            |       |         |       |     |                                                                  |  |                                                                      |          |                          |         |        |         |   |
|-------|------------|-------|---------|-------|-----|------------------------------------------------------------------|--|----------------------------------------------------------------------|----------|--------------------------|---------|--------|---------|---|
| DRAWN | Emily Suen | APP'D | Ku Chou | UNIT  | mm  | TOLERANCE                                                        |  | 广东科斯达电子科技有限公司<br>GUANG DONG KE SI DA ELECTRONIC TECHNOLOGY CO., LTD. | TITLE    | WP (F) (LOCK) B SIZE 焊線式 |         |        | SHEET   | 1 |
| CHK'D | Ku Chou    |       |         | SCALE | 1:1 | .x ±0.20<br>.xx ±0.10<br>.xxx ±0.05<br>.xxxx ±0.03<br>ANGULA ±1° |  |                                                                      | PART NO. | SEE TABLE A              | DWG NO. | QC8411 | VERSION |   |