

CUSTOMER DRAWING

REV.	DESCRIPTION	APPROVED BY	DATE	ECN NO.
A	RELEASE	Ku Chou	16/11/18*	
B				
C				

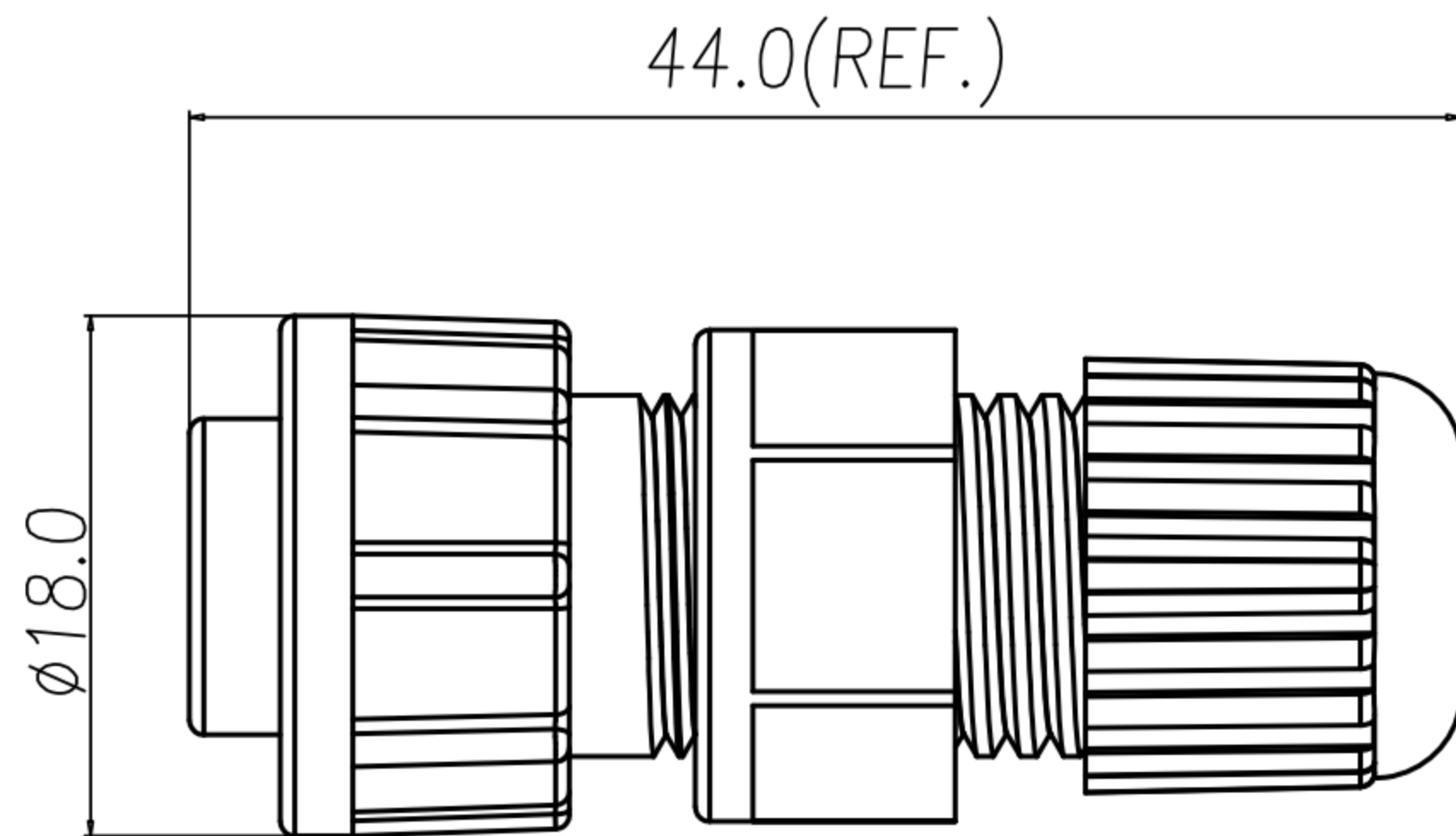
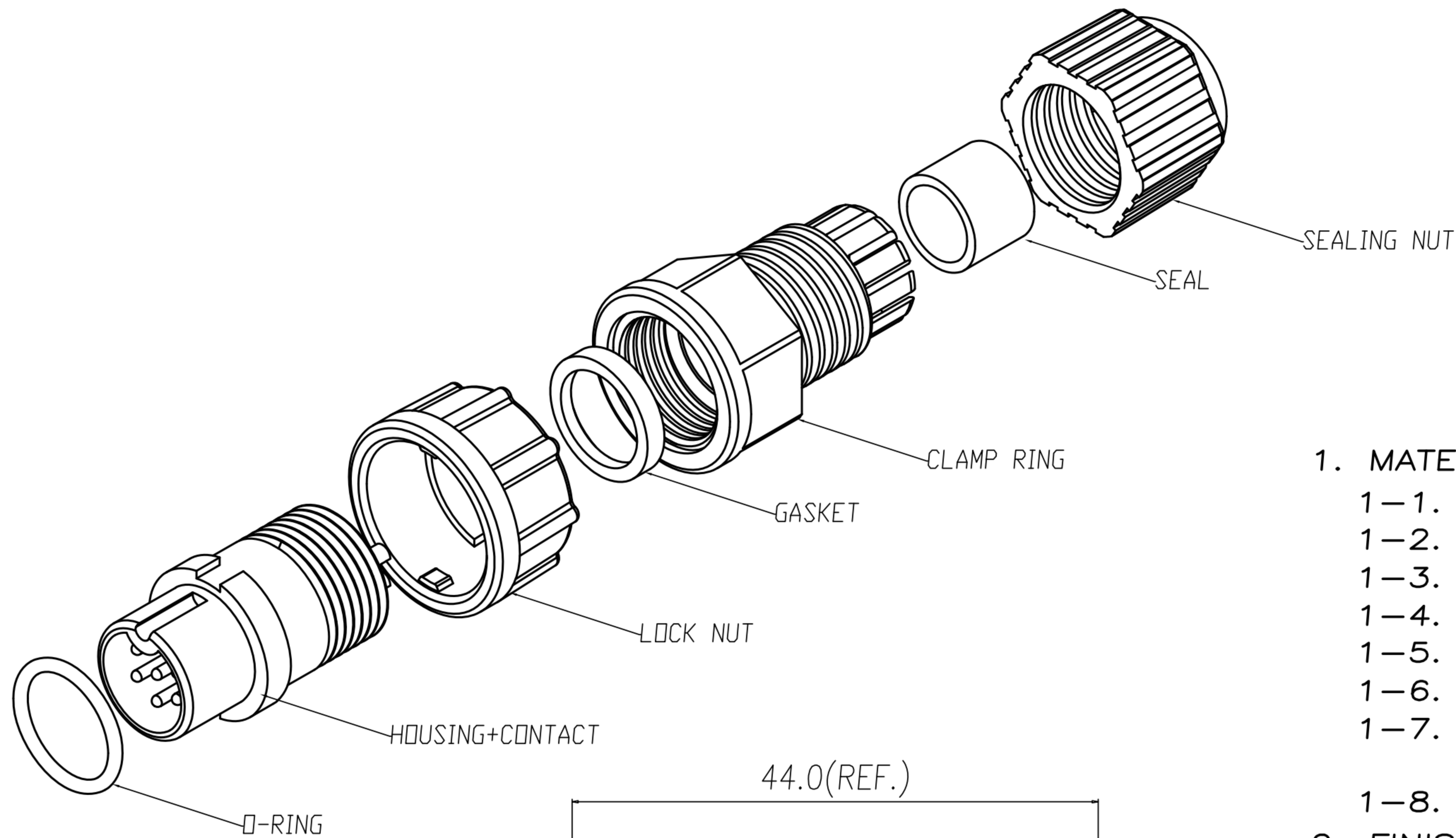


TABLE A

5 PIN WP-05M2-154-11	6 PIN WP-06M2-79-11	
2 PIN WP-02M2-59-11	3 PIN WP-03M2-101-11	4 PIN WP-04M2-228-11

PIN ASSIGMENTS

- MATERIAL :
  - HOUSING : PA66
  - CONTACT : BRASS
  - O-RING : SILICONE
  - LOCK NUT : PA66
  - GASKET : SILICONE
  - CLAMP RING : PA66
  - SEAL : SILICONE
  - SEALING NUT : PA66
  - CABLE OD  $\phi 4.5\text{mm} \sim 6.5\text{mm}$
- FINISH :
  - CONTACT : GOLD FLASH PLATED.
- ELECTRICAL SPECIFICATION :
  - Rated current : 5A
  - Rated voltage : 250V
  - Water proof : IP67
- Environmental :
  - Operation Temperature :  $-40^{\circ}\text{C} \sim 105^{\circ}\text{C}$

DRAWN	Emily Suen	APP'D	Ku Chou	UNIT	mm	TOLERANCE		广东科斯达电子科技有限公司 GUANG DONG KE SI DA ELECTRONIC TECHNOLOGY CO., LTD.	TITLE	WP (F COMM M PIN) (LOCK) B SIZE ASSEMBLY TYPE(5A)			SHEET	1 VERSION A
CHK'D	Ku Chou			SCALE	1:1	.x $\pm 0.20$ .xx $\pm 0.10$ .xxx $\pm 0.05$ .xxxx $\pm 0.03$ ANGULA $\pm 1^{\circ}$			PART NO.	SEE TABLE A	DWG NO.	QC8807		