

CUSTOMER DRAWING

REV.	DESCRIPTION	APPROVED BY	DATE	ECN NO.
A	RELEASE	Ku Chou	19/07/18'	
B	CHANGE MATERIAL	Ku Chou	17/08/18'	
C	變更膠漆材質	Emily Suen	03/10/18'	

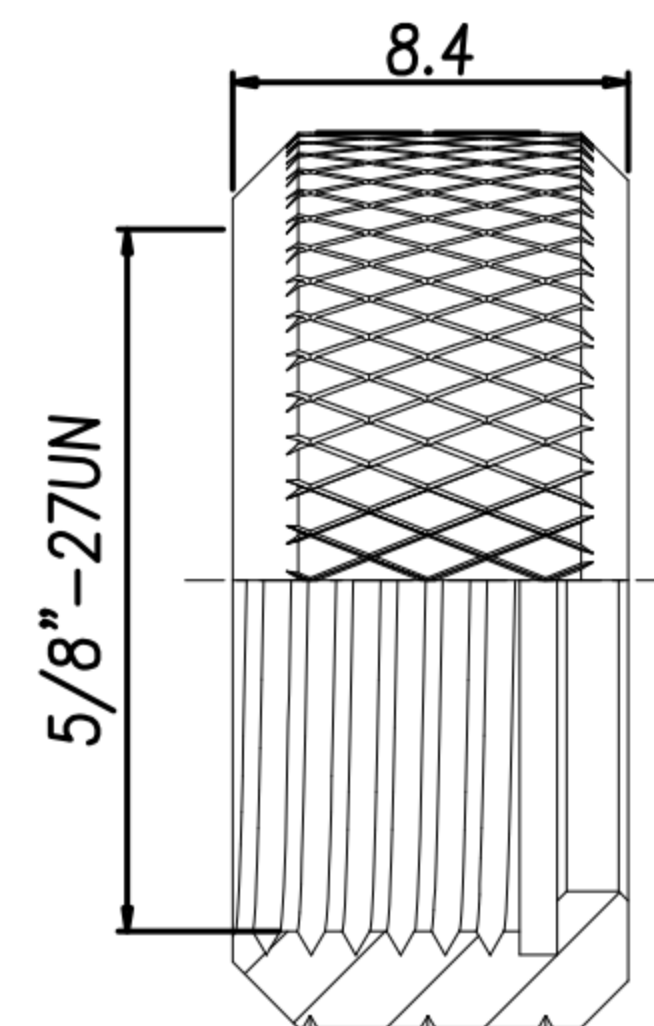
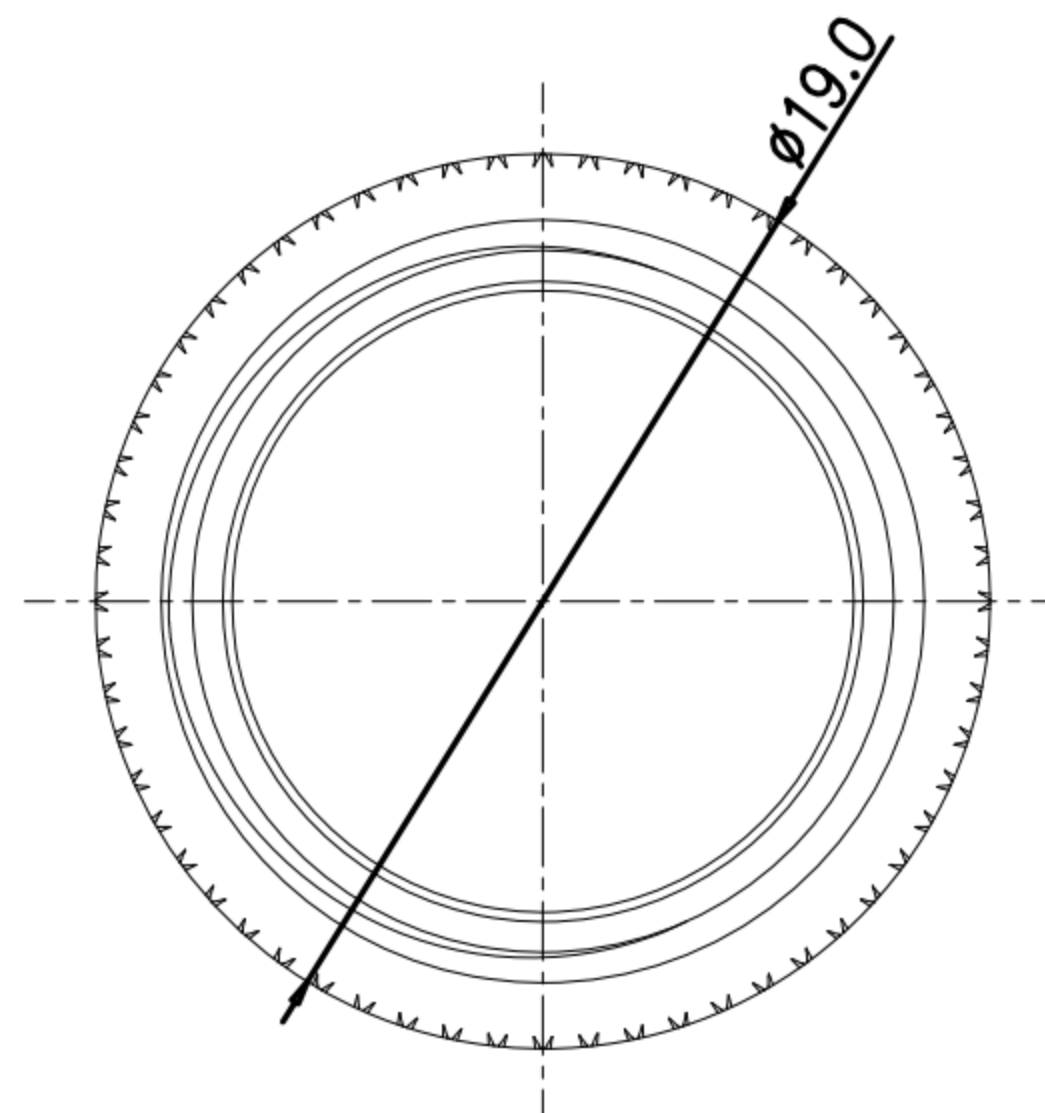
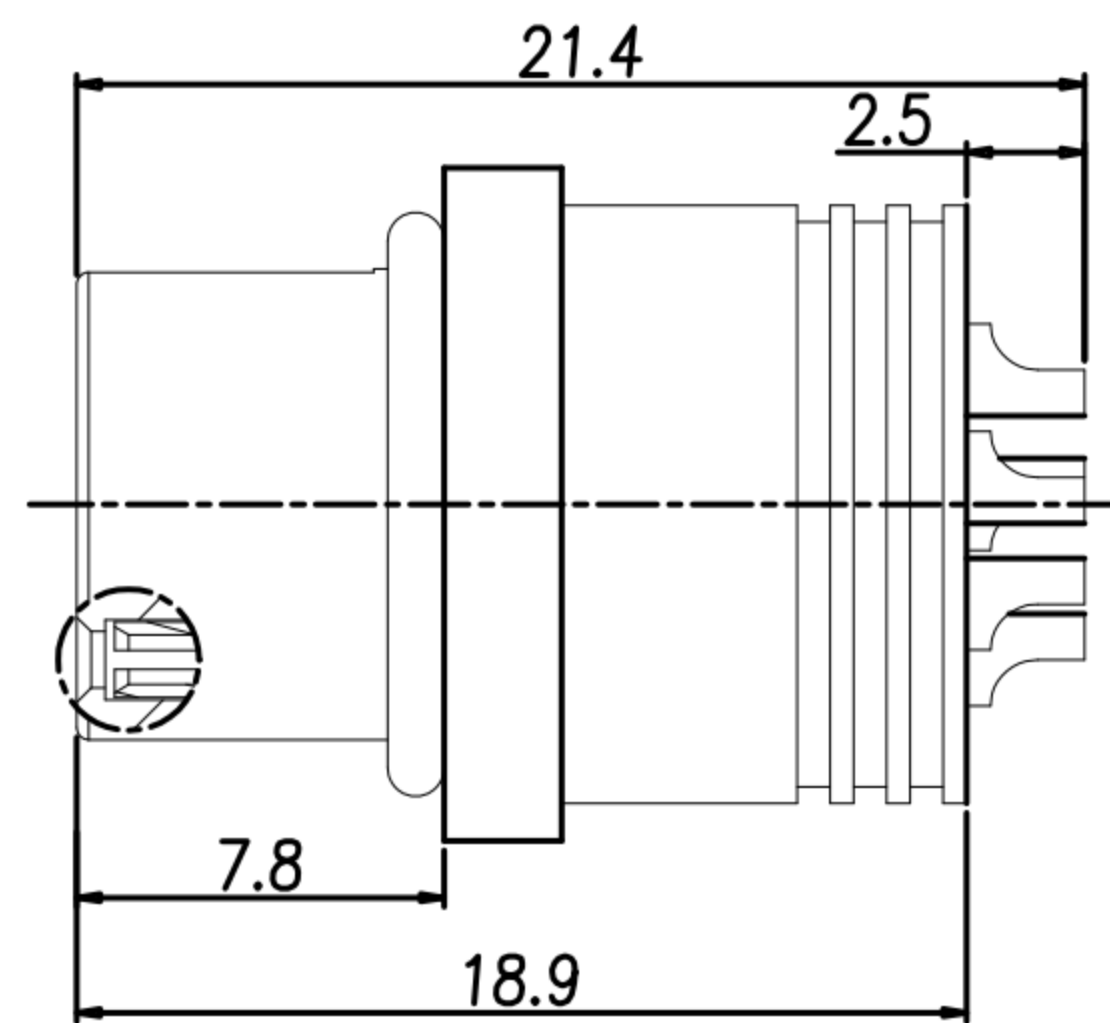
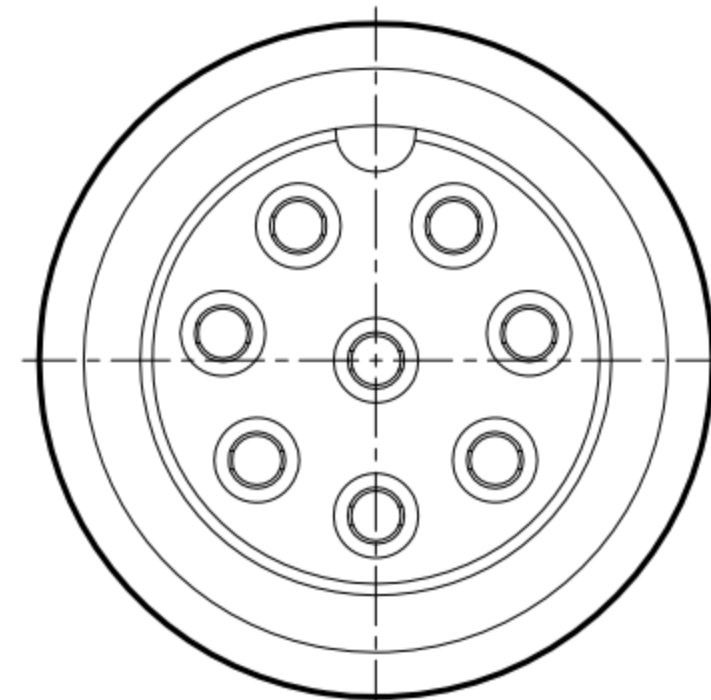
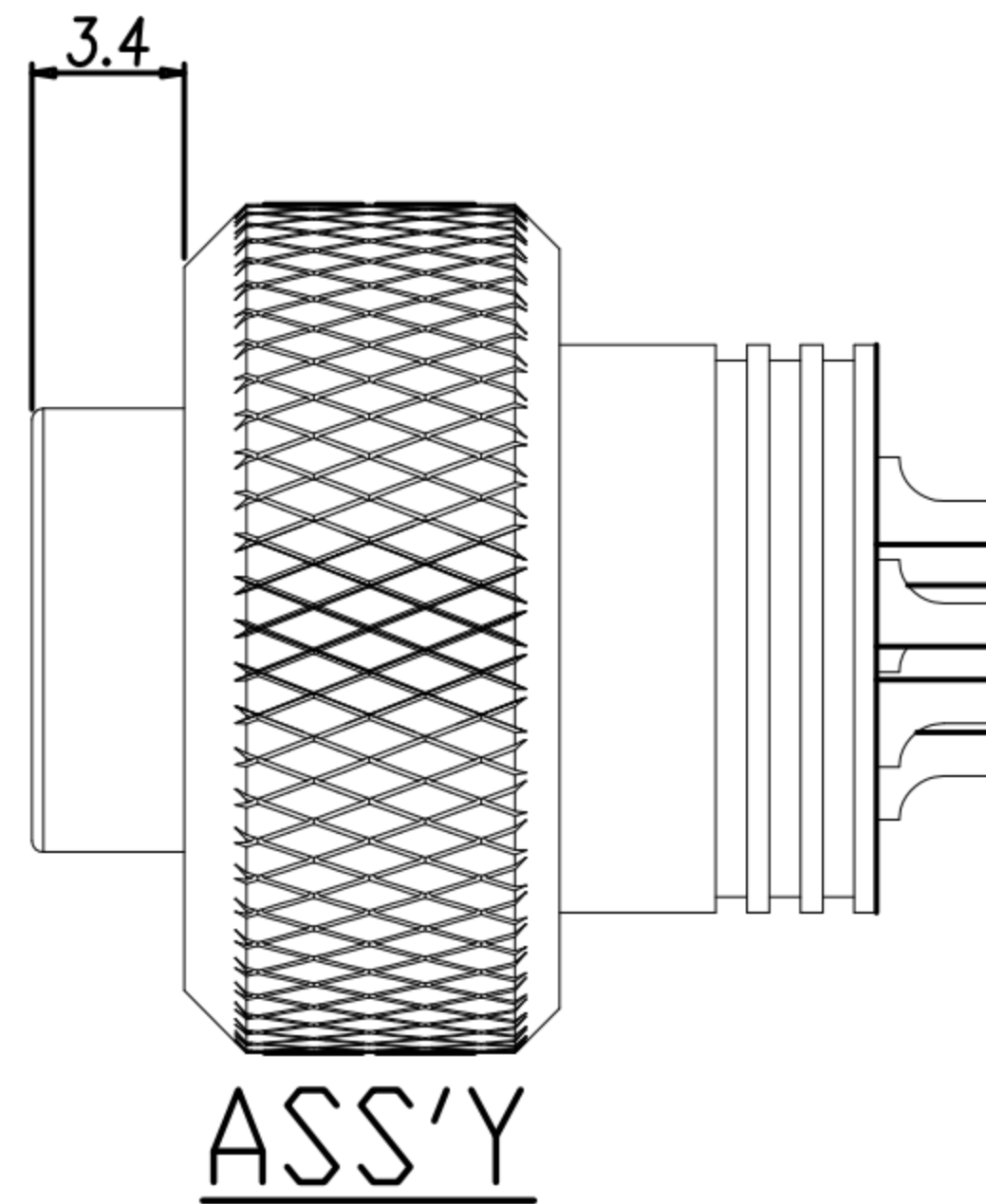
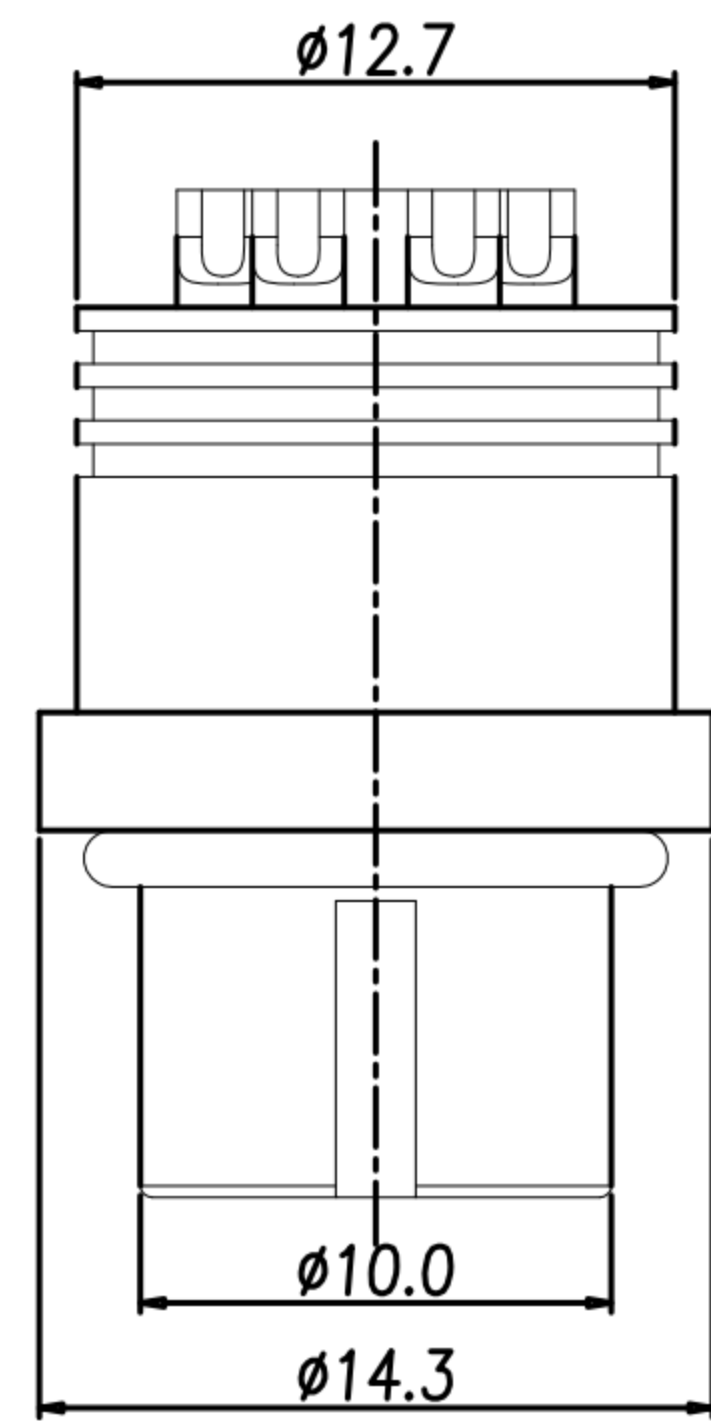


TABLE A

7 PIN	8 PIN	
WP-08F2-101-11		
4 PIN	5 PIN	6 PIN

1. MATERIAL :

- △ C 1-1. HOUSING : PBT
- 1-2. CONTACT : BRASS
- △ B 1-3. O-RING : EPDM
- 1-4. SHELL : BRASS
- 1-5. SCREW NUT : BRASS

2. FINISH :

- 2-1. CONTACT : GOLD FLASH PLATED.
UNDER PLATE : NICKEL
- 2-2. SHELL: NICKEL PLATED.
- 2-3. SCREW NUT : NICKEL PLATED.

3. ELECTRICAL SPECIFICATION :

- 3-1. Rated current : 5A
- 3-2. Rated voltage : 250V
- 3-3. Water proof : IP67

4. Environmental :

- 4-1. Operation Temperature : -20℃~80℃

DRAWN	Emily Suen	APP'D	Ku Chou	UNIT	mm	TOLERANCE		广东科斯达电子科技有限公司 GUANG DONG KE SI DA ELECTRONIC TECHNOLOGY CO., LTD.	TITLE	WP (F) B SIZE (SHIELDED SCREW/SOLDER TYPE)-5A			SHEET	
CHK'D	Ku Chou			SCALE	1:1	.x ±0.20 .xx ±0.10 .xxx ±0.05 .xxxx ±0.03 ANGULA ±1°			PART NO.	SEE TABLE A	DWG NO.	QC8544	VERSION	