

CUSTOMER DRAWING

REV.	DESCRIPTION	APPROVED BY	DATE	ECN NO.
A	RELEASE	Ku Chou	01/11/18'	
B				
C				

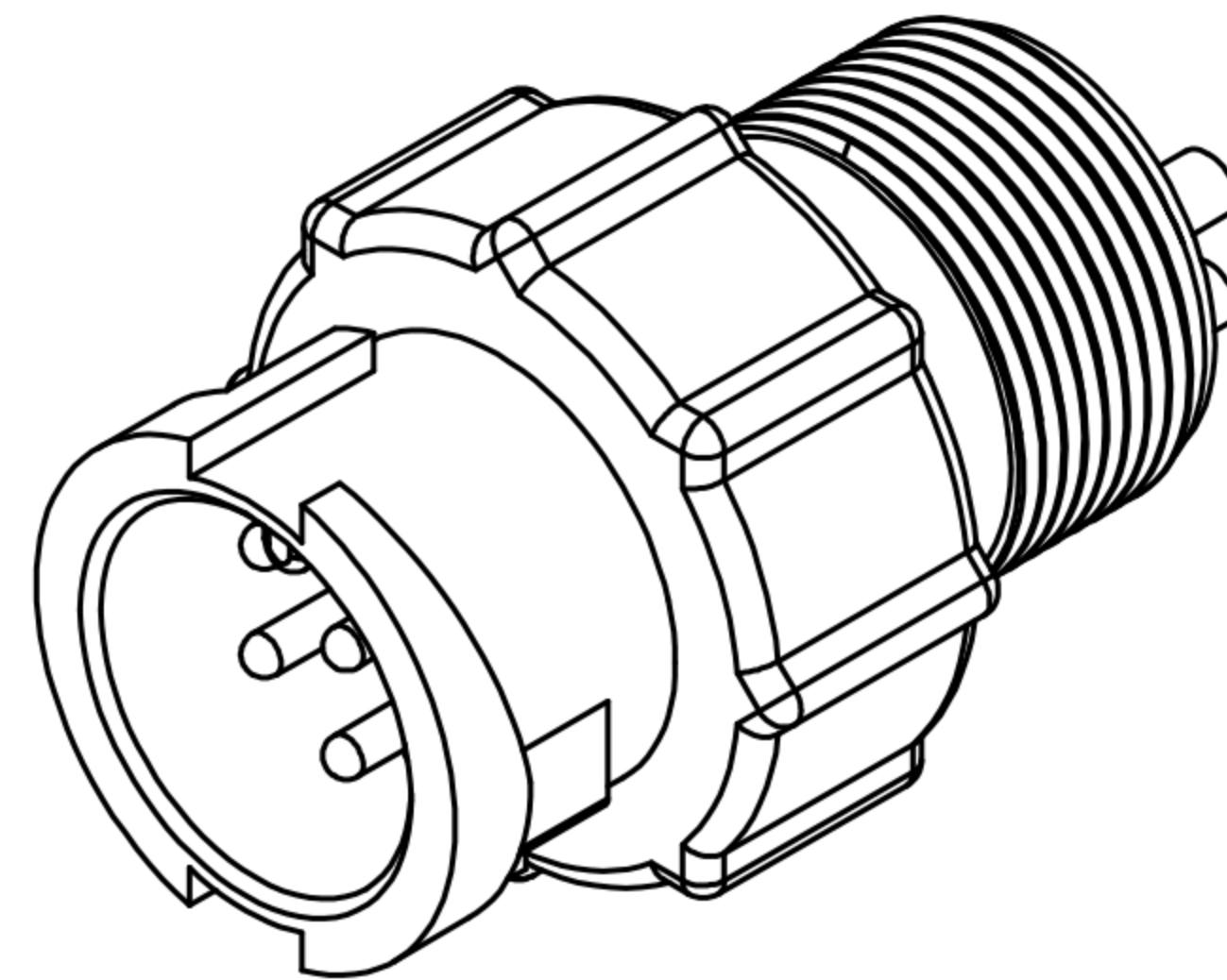
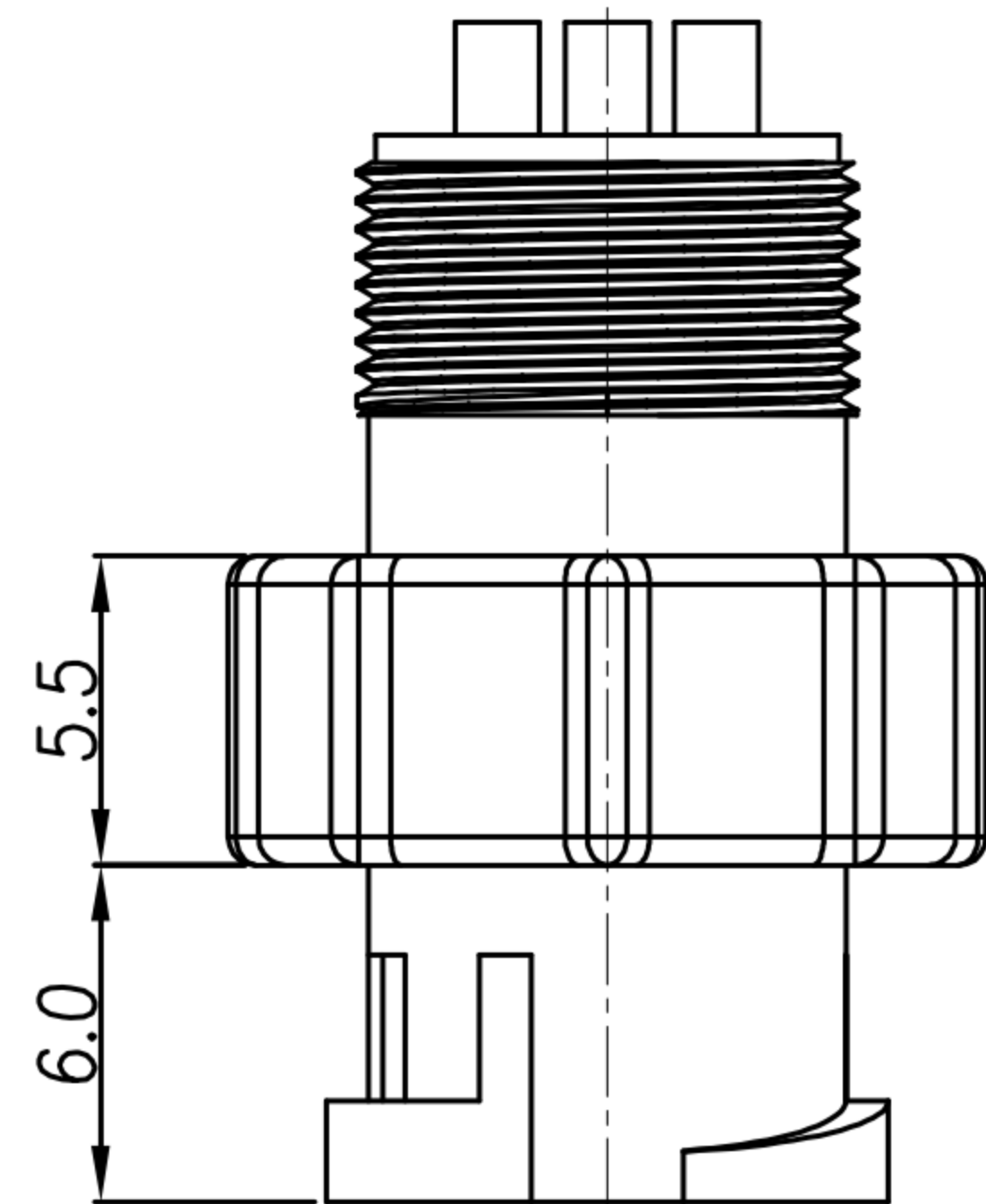
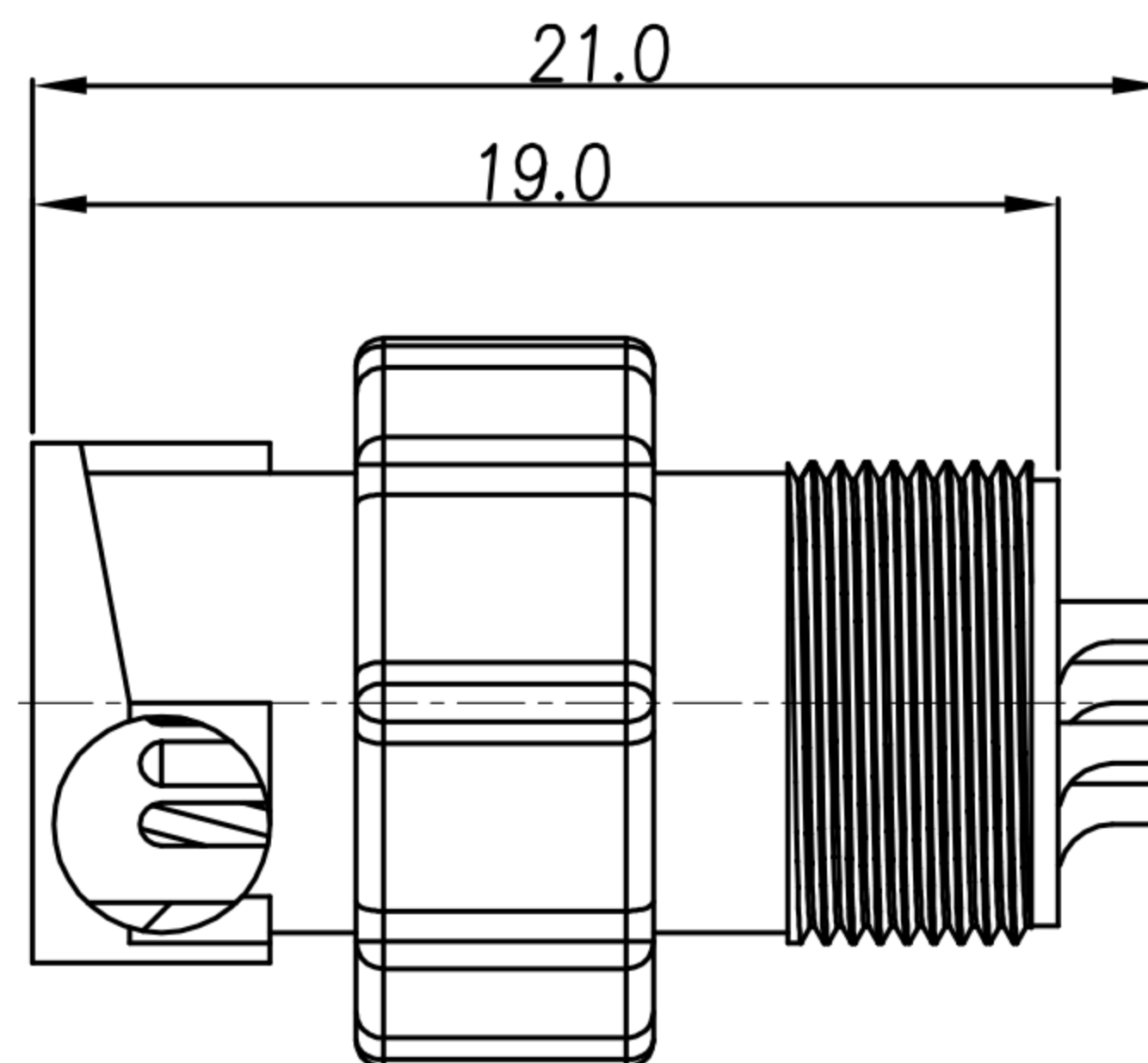
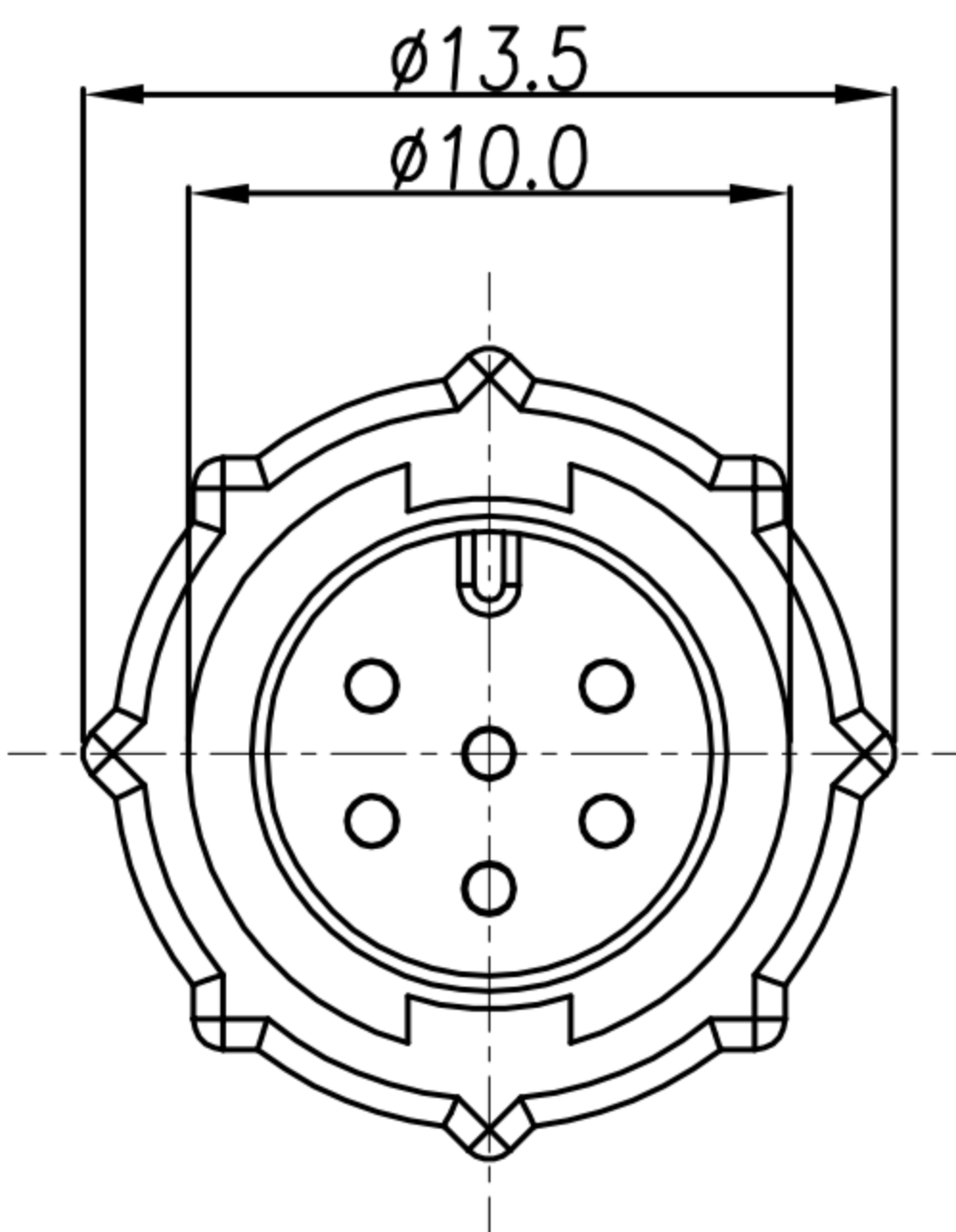


TABLE A

4 PIN	5 PIN	6 PIN
WP-04M1-03-11	WP-05M1-05-11	WP-06M1-02-11

PIN ASSIGMENTS
FRONT VIEW



- MATERIAL :
 - HOUSING : PA66
 - CONTACT : BRASS
- FINISH :
 - CONTACT : GOLD FLASH PLATED.
- ELECTRICAL SPECIFICATION :
 - Rated current : 2A
 - Rated voltage : 250V
 - Water proof : IP67
- Environmental :
 - Operation Temperature : -20℃~80℃

DRAWN	Emily Suen	APP'D	Ku Chou	UNIT	mm	TOLERANCE		广东科斯达电子科技有限公司 GUANG DONG KE SI DA ELECTRONIC TECHNOLOGY CO., LTD.	TITLE	WP (M CONN. M PIN) (LOCK) A SIZE 焊線式-2A			SHEET	A
CHK'D	Ku Chou			SCALE	1:1	.x ±0.20 .xx ±0.10 .xxx ±0.05 .xxxx ±0.03 ANGULA ±1°			PART NO.	SEE TABLE A	DWG NO.	QC8929	VERSION	