

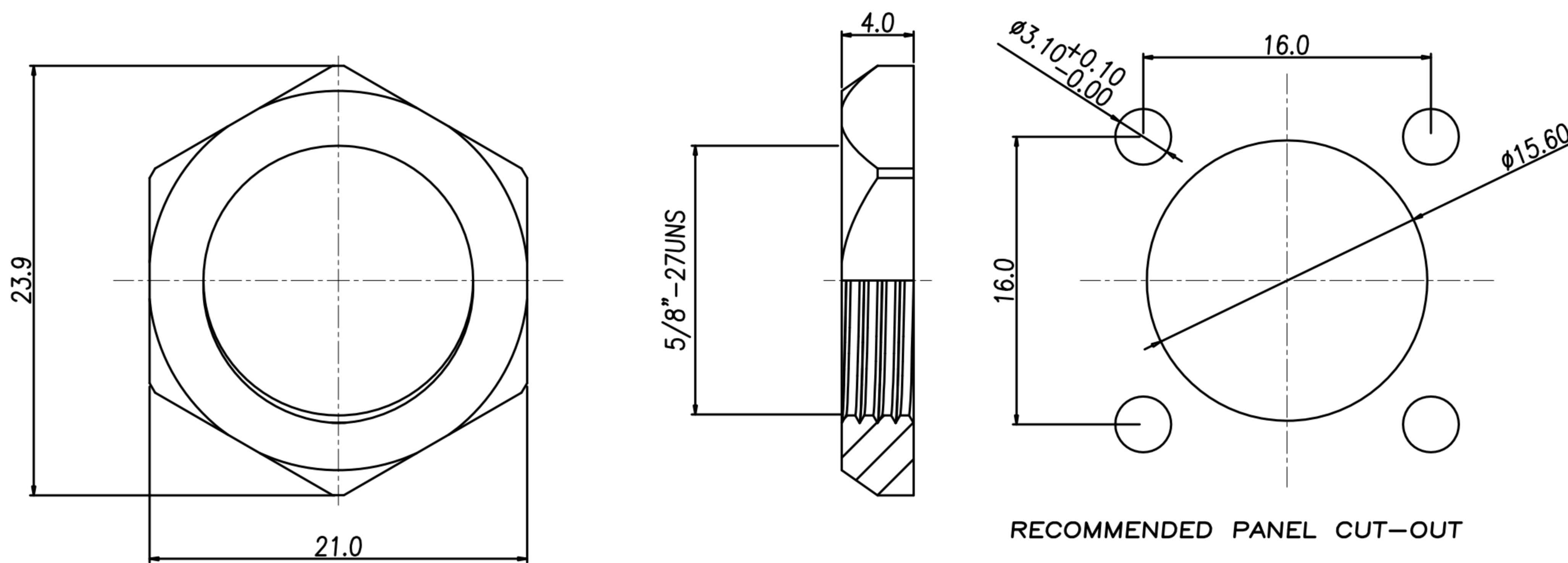
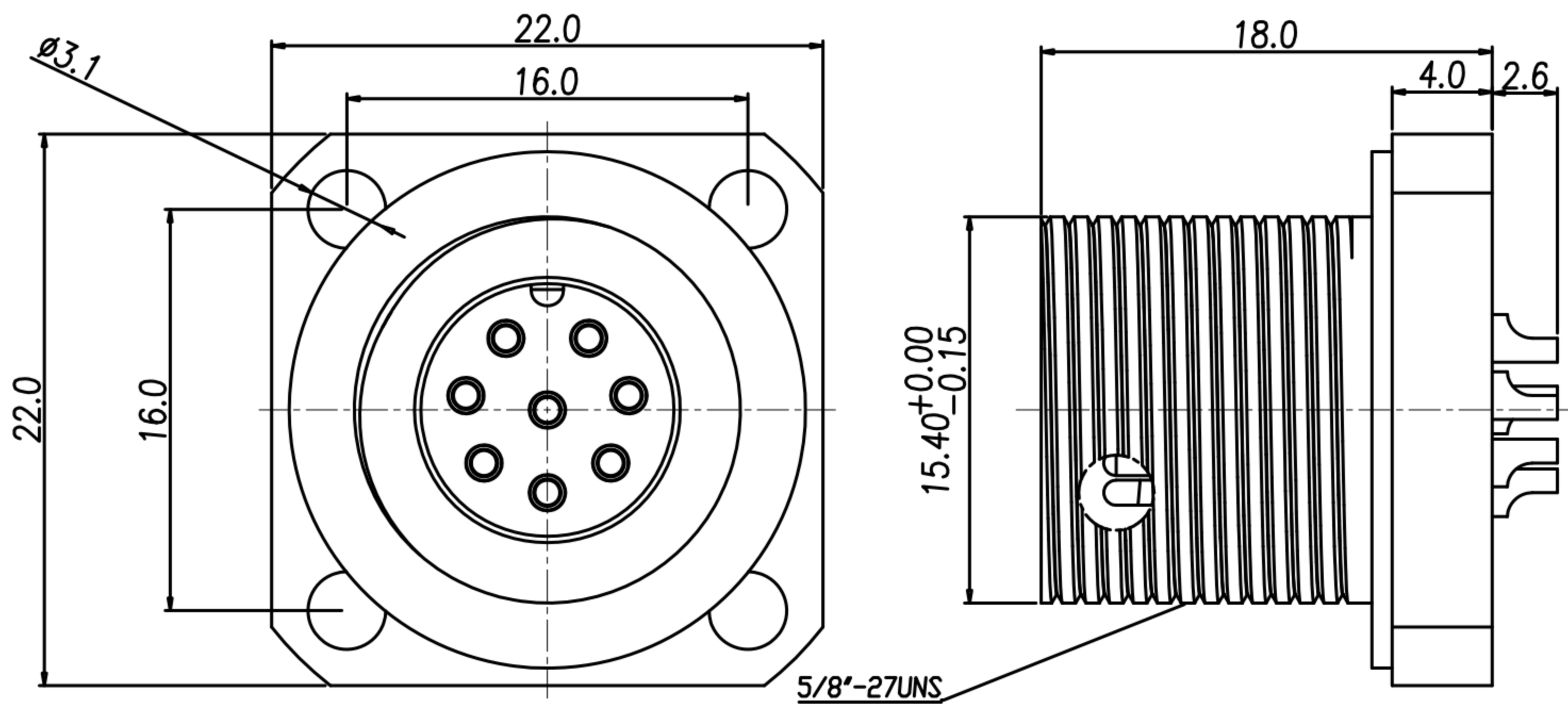
CUSTOMER DRAWING

REV.	DESCRIPTION	APPROVED BY	DATE	ECN NO.
A	RELEASE	Ku Chou	19/07/18'	
B				
C				

TABLE A

7 PIN	8 PIN	
WP-08M2-77-11		
4 PIN	5 PIN	6 PIN

PIN ASSIGMENTS(FRONT VIEW)



RECOMMENDED PANEL CUT-OUT

- MATERIAL :
  - 1-1. HOUSING : PBT
  - 1-2. CONTACT : BRASS
  - 1-3. GASKET : SILICONE
  - 1-4. SHELL : BRASS
  - 1-5. HEX NUT : BRASS
- FINISH :
  - 2-1. CONTACT : GOLD FLASH PLATED.
  - 2-2. NUT : NICKEL PLATED
  - 2-3. SHELL : NICKEL PLATED
- ELECTRICAL SPECIFICATION :
  - 3-1. Rated current : 5A
  - 3-2. Rated voltage : 250V
  - 3-3. Water proof : IP67
- Environmental :
  - 4-1. Operation Temperature : -40℃~105℃

DRAWN	Emily Suen	APP'D	Ku Chou	UNIT	mm	TOLERANCE		广东科斯达电子科技有限公司 GUANG DONG KE SI DA ELECTRONIC TECHNOLOGY CO., LTD.	TITLE	WP (M) B SIZE (SHIELDED SCREW/SQUARE/SOLDER TYPE)-5A			SHEET
CHK'D	Ku Chou			SCALE	1:1	.x ±0.20 .xx ±0.10 .xxx ±0.05 .xxxx ±0.03 ANGULA ±1°			PART NO.	SEE TABLE A	DWG NO.	QC8539	VERSION