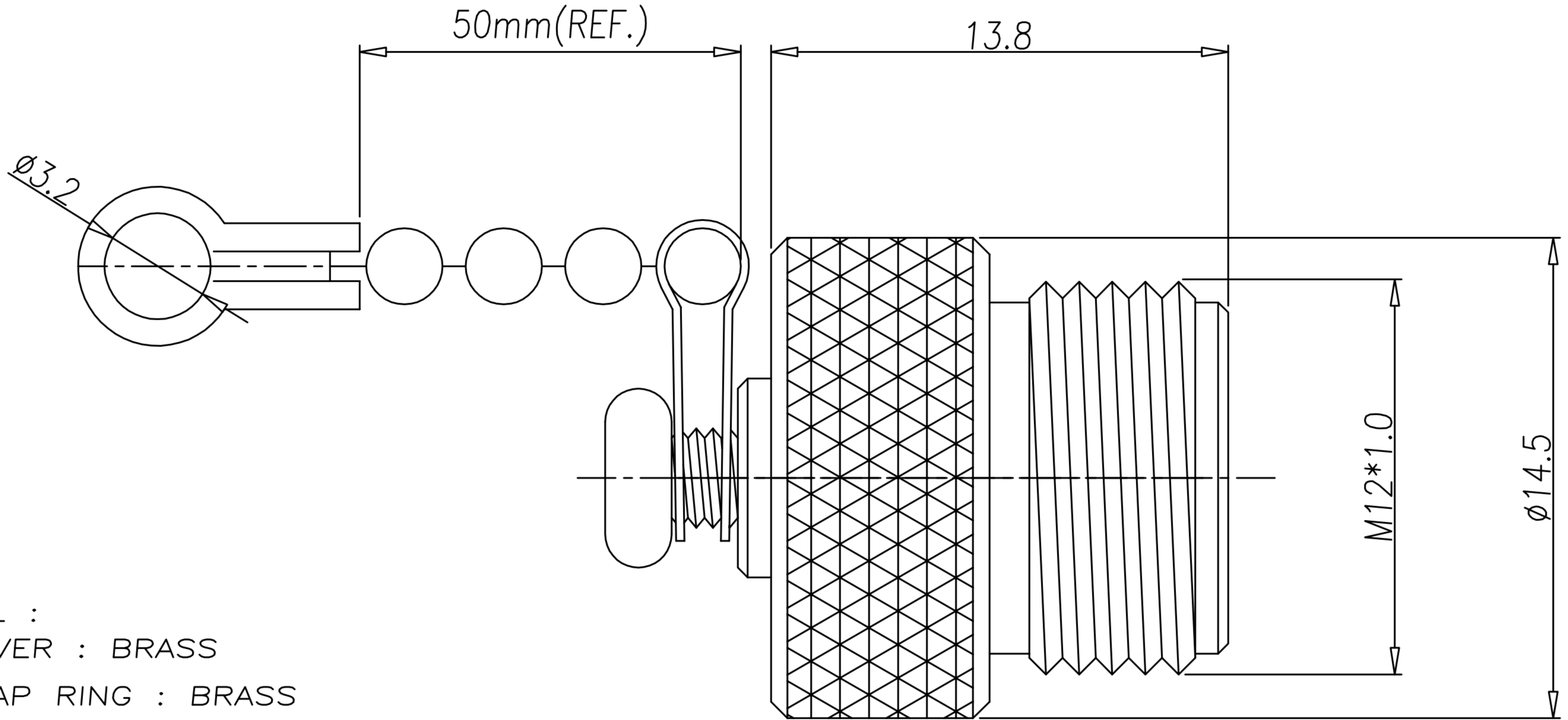


CUSTOMER DRAWING

REV.	DESCRIPTION	APPROVED BY	DATE	ECN NO.
A	RELEASE	Ku Chou	02/05/19'	
B				
C				



NOTE:

1. MATERIAL :

- 1-1. COVER : BRASS
- 1-2. SNAP RING : BRASS
- 1-3. SCREW : STEEL
- 1-4. BEAD CHAIN : STEEL

2. FINISH :

- 2-1. COVER : NICKEL PLATED OVER ALL
- 2-2. SCREW : NICKEL PLATED OVER ALL
- 2-3. SNAP RING : NICKEL PLATED OVER ALL

DRAWN	Ku Chou	APP'D	Emily Suen	UNIT	mm	TOLERANCE		广东科斯达电子科技有限公司 GUANG DONG KE SI DA ELECTRONIC TECHNOLOGY CO., LTD.	TITLE	M12防塵蓋(外牙)+金屬鏈條(Ø3.2*50mm)+M3螺絲			SHEET	1
CHK'D	Emily Suen			SCALE	1:1	.x ±0.20 .xx ±0.10 .xxx ±0.05 .xxxx ±0.03 ANGULA ±1°			PART NO.	NY-WP1451-10	DWG NO.	QC9103	VERSION	A