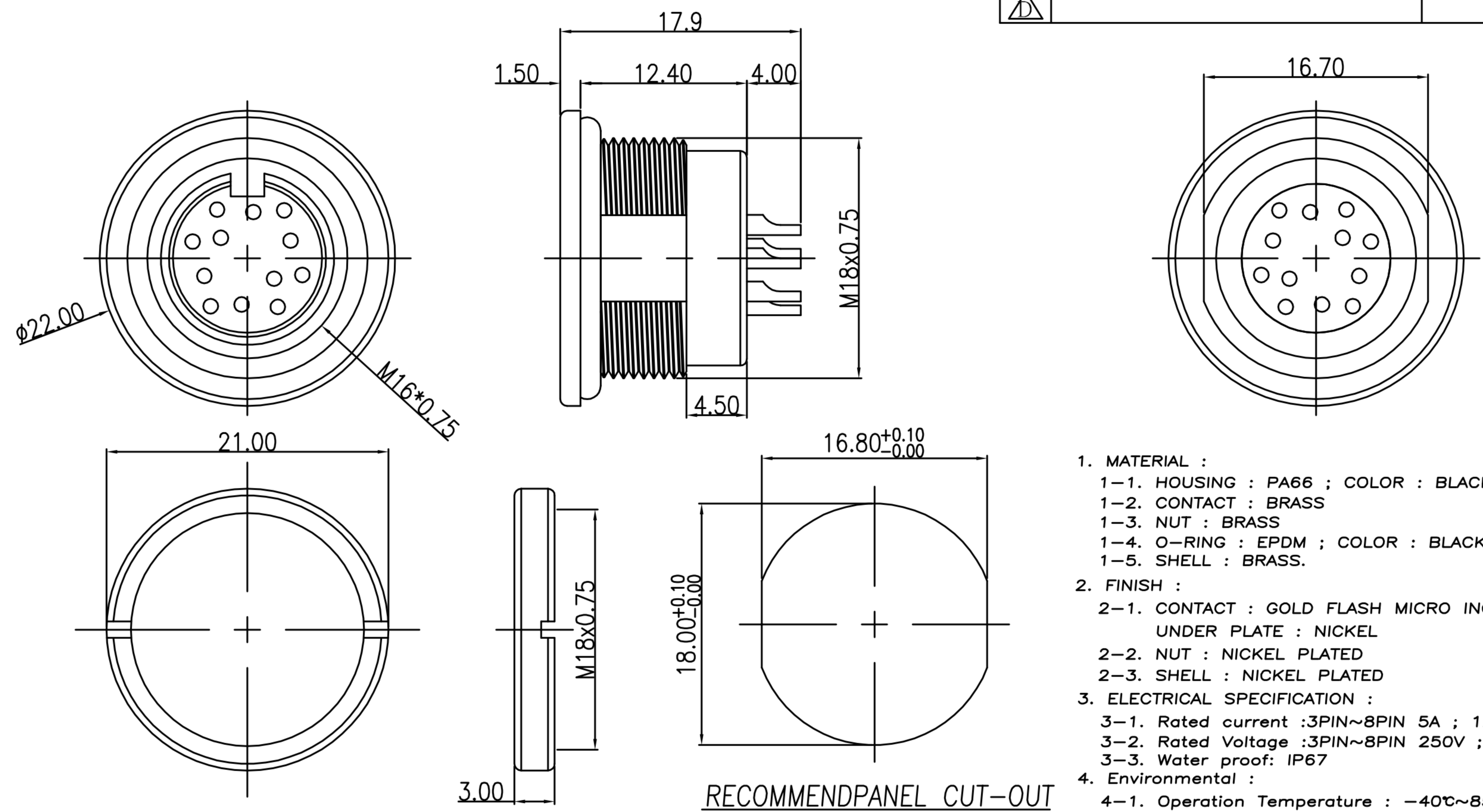


A B C D E F

CUSTOMER DRAWING

| REV. | DESCRIPTION | APPROVED BY | DATE | ECN NO. |
|------|-------------|-------------|------|---------|
| △A   | RELEASE     | Emily Suen  |      |         |
| △B   |             |             |      |         |
| △C   |             |             |      |         |
| △D   |             |             |      |         |



- MATERIAL :
  - 1-1. HOUSING : PA66 ; COLOR : BLACK.
  - 1-2. CONTACT : BRASS
  - 1-3. NUT : BRASS
  - 1-4. O-RING : EPDM ; COLOR : BLACK
  - 1-5. SHELL : BRASS.
- FINISH :
  - 2-1. CONTACT : GOLD FLASH MICRO INCHES MIN.  
UNDER PLATE : NICKEL
  - 2-2. NUT : NICKEL PLATED
  - 2-3. SHELL : NICKEL PLATED
- ELECTRICAL SPECIFICATION :
  - 3-1. Rated current : 3PIN~8PIN 5A ; 12PIN~14PIN 3A
  - 3-2. Rated Voltage : 3PIN~8PIN 250V ; 12PIN~14PIN 60V
  - 3-3. Water proof: IP67
- Environmental :
  - 4-1. Operation Temperature : -40℃~85℃

RECOMMEND PANEL CUT-OUT

|               |               |               |               |               |               |               |               |               |               |
|---------------|---------------|---------------|---------------|---------------|---------------|---------------|---------------|---------------|---------------|
|               |               |               |               |               |               |               |               |               |               |
| DI-03F2-16-11 | DI-04F2-22-11 | DI-05F2-27-11 | DI-05F2-19-11 | DI-06F2-27-11 | DI-07F2-20-11 | DI-07F2-19-11 | DI-08F2-17-11 | DI-12F2-16-11 | DI-14F2-02-11 |

|       |            |       |         |       |     |  |  |  |          |                   |         |        |         |  |
|-------|------------|-------|---------|-------|-----|--|--|--|----------|-------------------|---------|--------|---------|--|
| DRAWN | LEO        | APP'D | Ku Chou | UNIT  | mm  | TOLERANCE  |  |  | TITLE    | DIN M16 (F) 後鎖焊線式 |         |        | SHEET   |  |
| CHK'D | Emily Suen |       |         | SCALE | 1:1 | .x ±0.20<br>.xx ±0.10<br>.xxx ±0.05<br>.xxxx ±0.03<br>ANGULA ±1° |  |  | PART NO. | SEE TABLE A       | DWG NO. | QC9400 | VERSION |  |

广东科斯达电子科技有限公司  
GUANG DONG KE SI DA ELECTRONIC TECHNOLOGY CO., LTD.