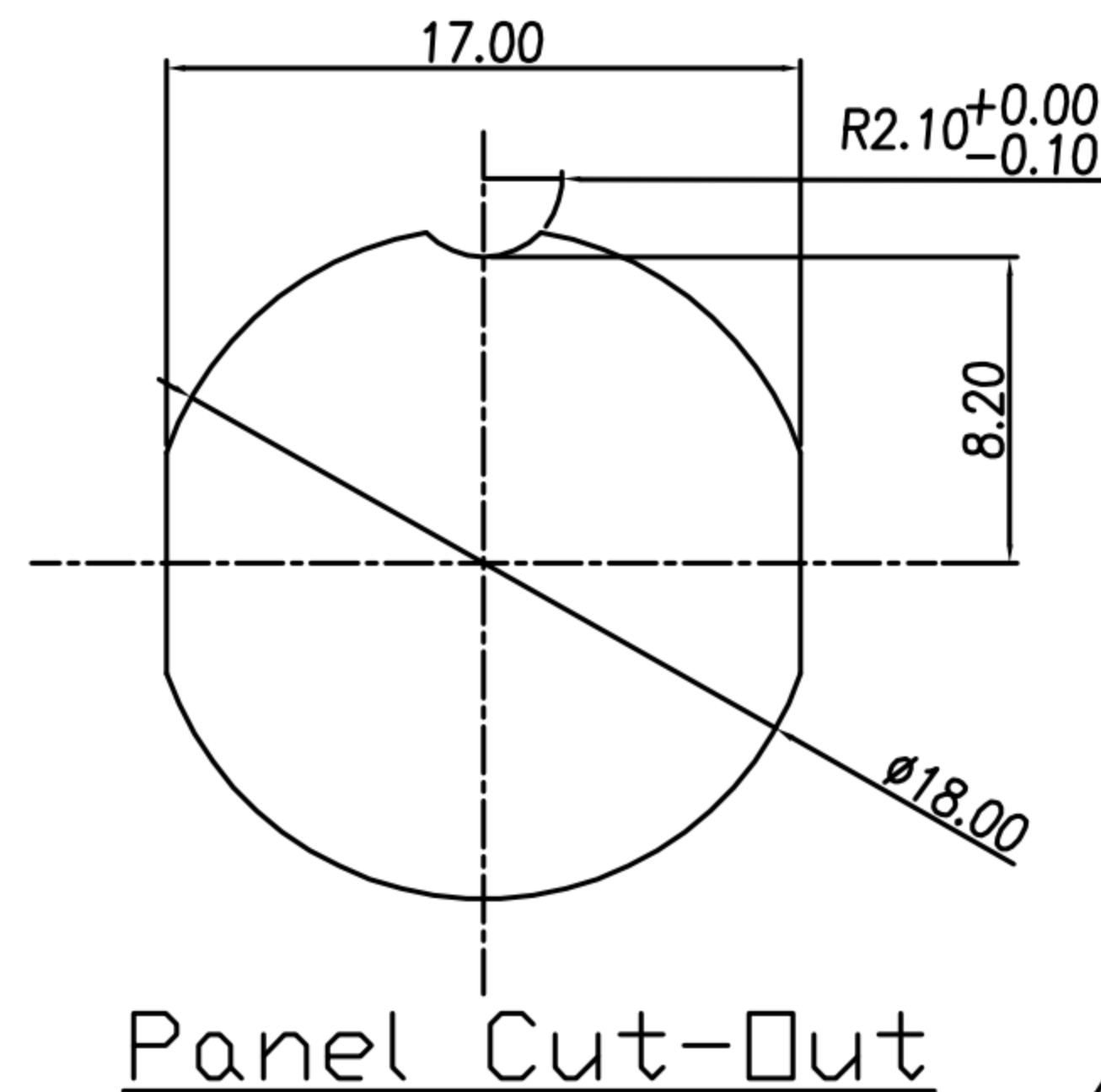
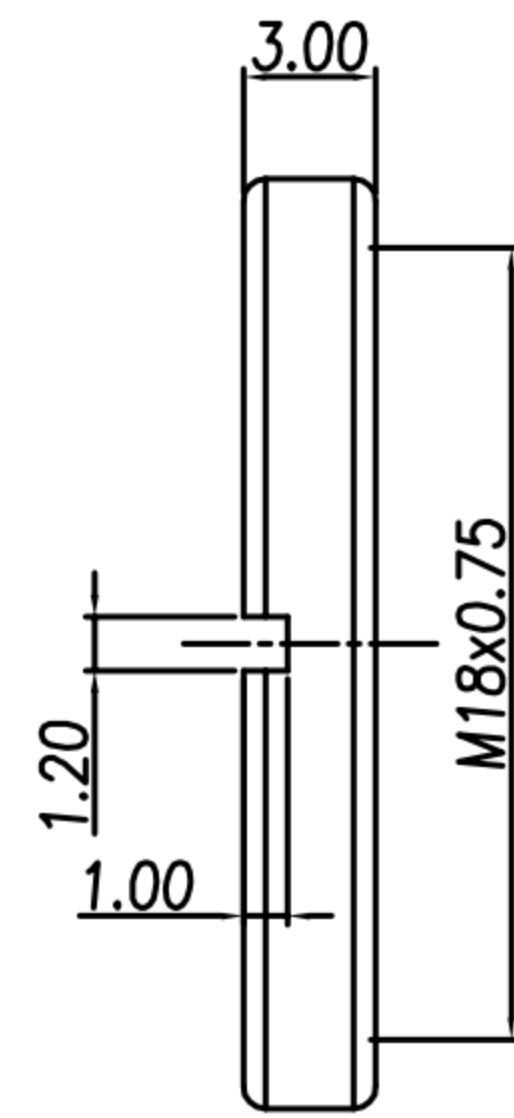
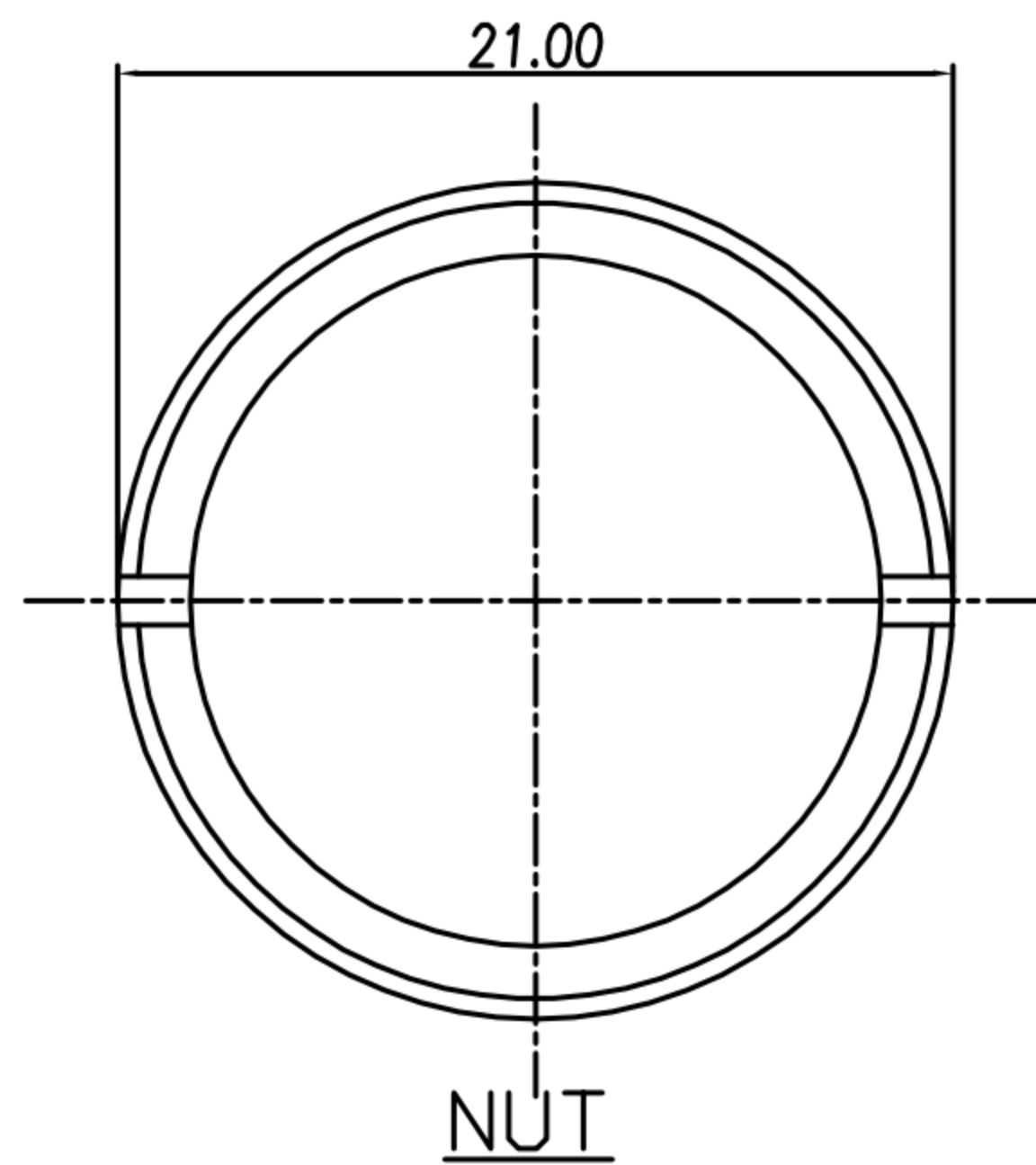
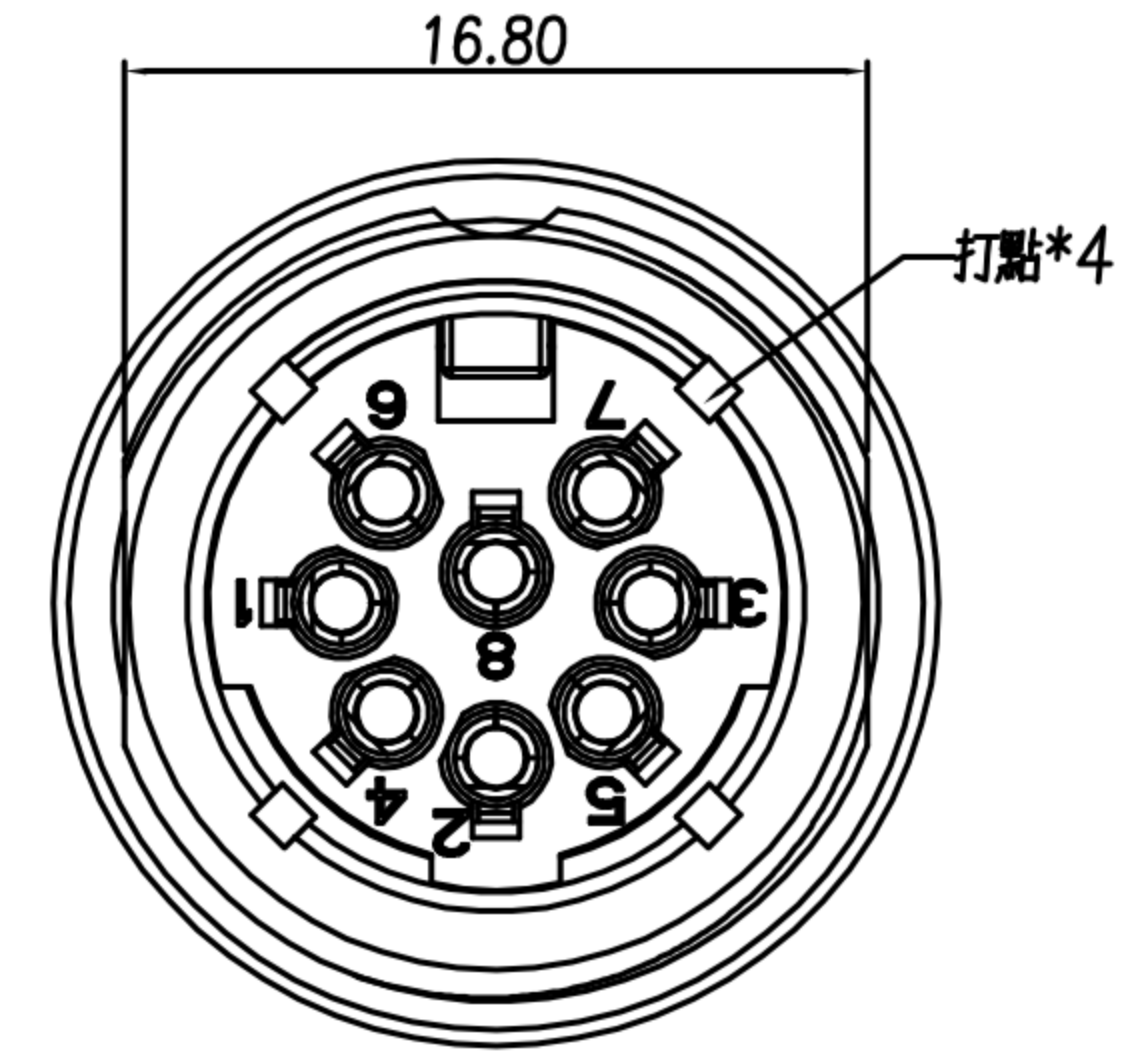
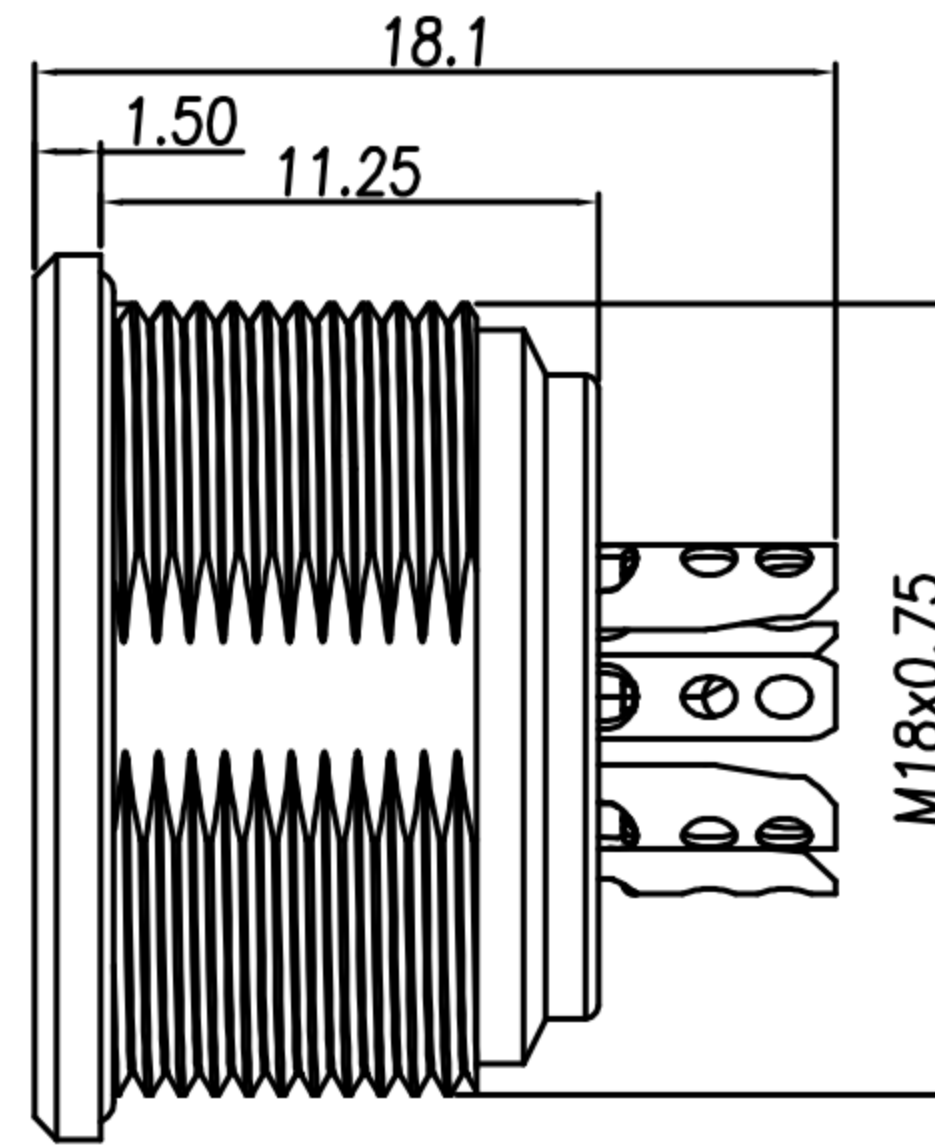
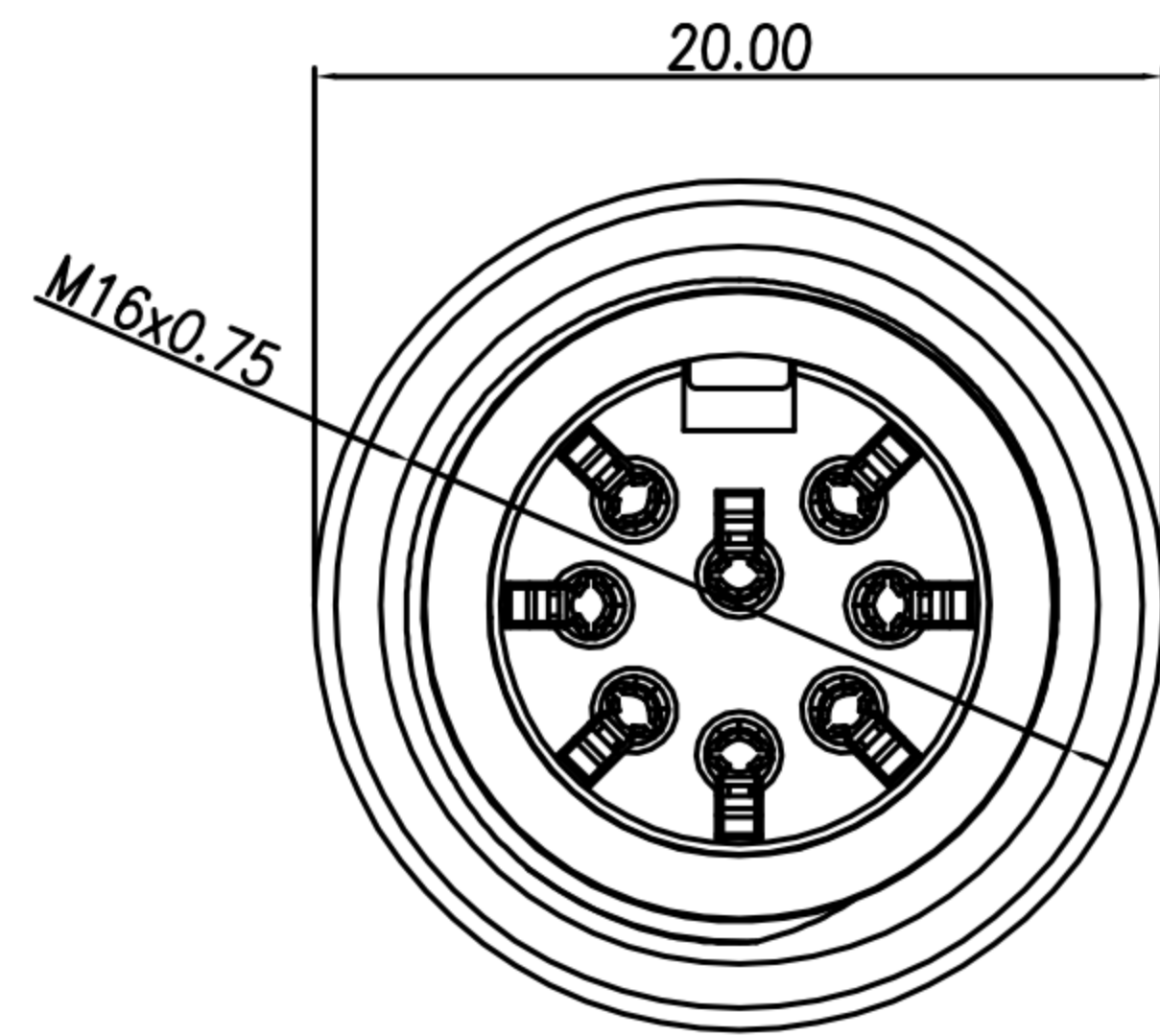


# CUSTOMER DRAWING

| REV. | DESCRIPTION  | APPVL. BY | DATE       | ECN NO. |
|------|--------------|-----------|------------|---------|
| A    | RELEASE      | Yeh Chou  |            |         |
| B    | ADD PART NO. | Leo       | 2019/04/03 |         |
| C    | 新增機          | Leo       | 2020/07/30 |         |



- MATERIAL :
  - 1-1. HOUSING : NYLON UL94V-0 ; COLOR : BLACK
  - 1-2. CONTACT : PHOSPHOR BRONZE
  - 1-3. SHELL : Zn ALLOY
  - 1-4. O-RING : EPDM ; COLOR : BLACK.
  - 1-5. NUT : BRASS
- FINISH :
  - 2-1. CONTACT : GOLD FLASH MICRO INCHES MIN.
  - 2-2. NUT : NICKEL PLTAE.
  - 2-3. SHELL : NICKEL PLTAE.
- ELECTRICAL SPECIFICATION :
  - 3-1. Rated current(40°C) : 5A
  - 3-2. Rated Voltage : 250V
  - 3-3. Water proof : IP67 (in mated condition)
- Environmental :
  - 4-1. Operation Temperature : -40°C~85°C

NUT

Panel Cut-Out

|               |               |               |               |               |               |               |               |
|---------------|---------------|---------------|---------------|---------------|---------------|---------------|---------------|
|               |               |               |               |               |               |               |               |
| DI-03F2-13-11 | DI-04F2-19-11 | DI-05F2-16-11 | DI-05F2-24-11 | DI-06F2-24-11 | DI-07F2-23-11 | DI-07F2-16-11 | DI-08F2-12-11 |

|       |          |       |         |       |     |  |  |  |          |  |         |        |         |   |
|-------|----------|-------|---------|-------|-----|--|--|--|----------|--|---------|--------|---------|---|
| DRAWN | Yeh Chou | APP'D | Ku Chou | UNIT  | mm  | TOLERANCE  |  | 广东科斯达电子科技有限公司<br>GUANG DONG KE SI DA ELECTRONIC TECHNOLOGY CO., LTD. | TITLE    | Din 8P Female receptacle for rear mounting |         |        | SHEET   | 1 |
| CHK'D | Ku Chou  |       |         | SCALE | 1:1 | .x ±0.20<br>.xx ±0.10<br>.xxx ±0.05<br>.xxxx ±0.03<br>ANGULA ±1° |  |  | PART NO. | SEE TABLE A                                | DWG NO. | QC7926 | VERSION | C |