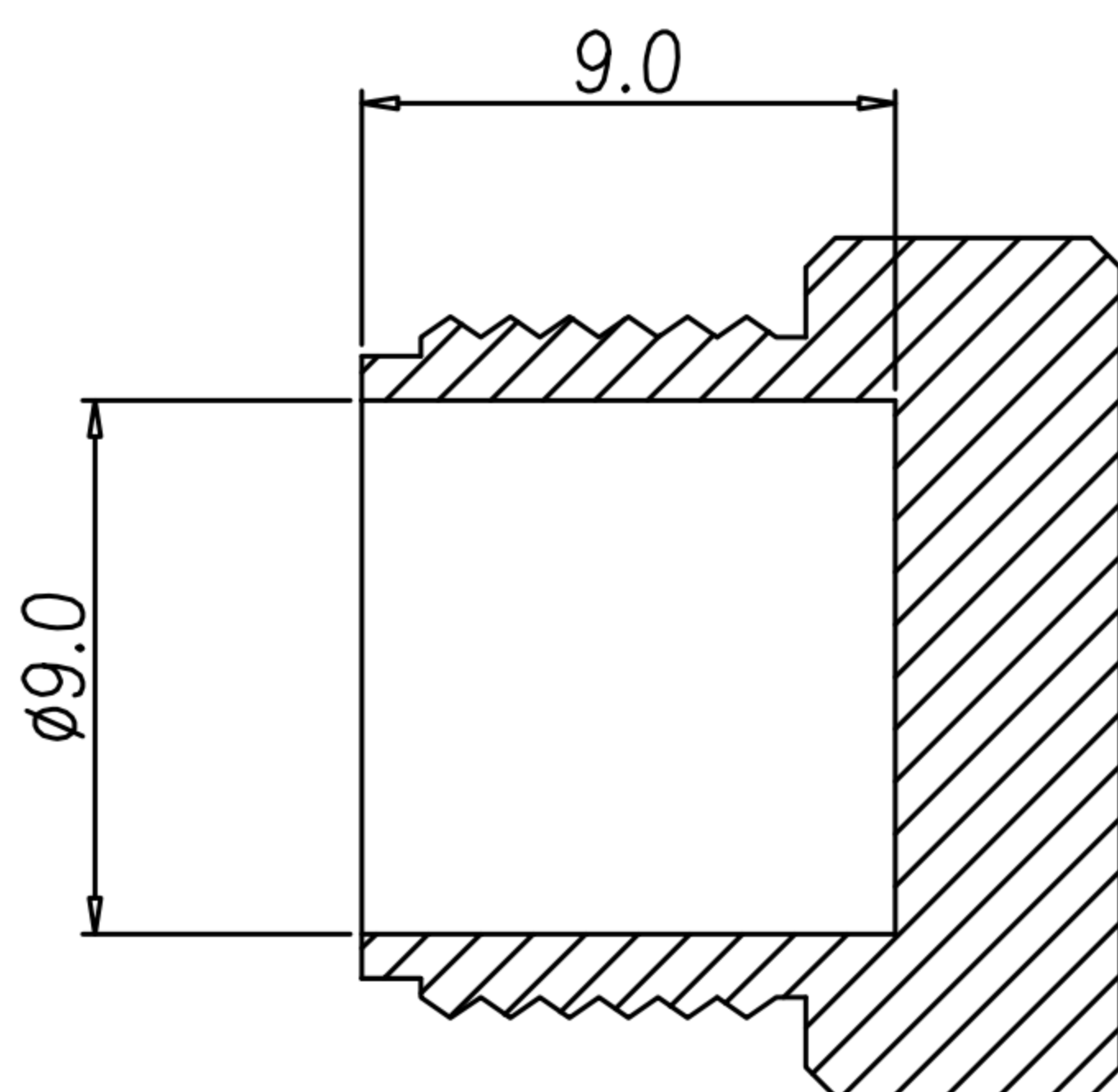
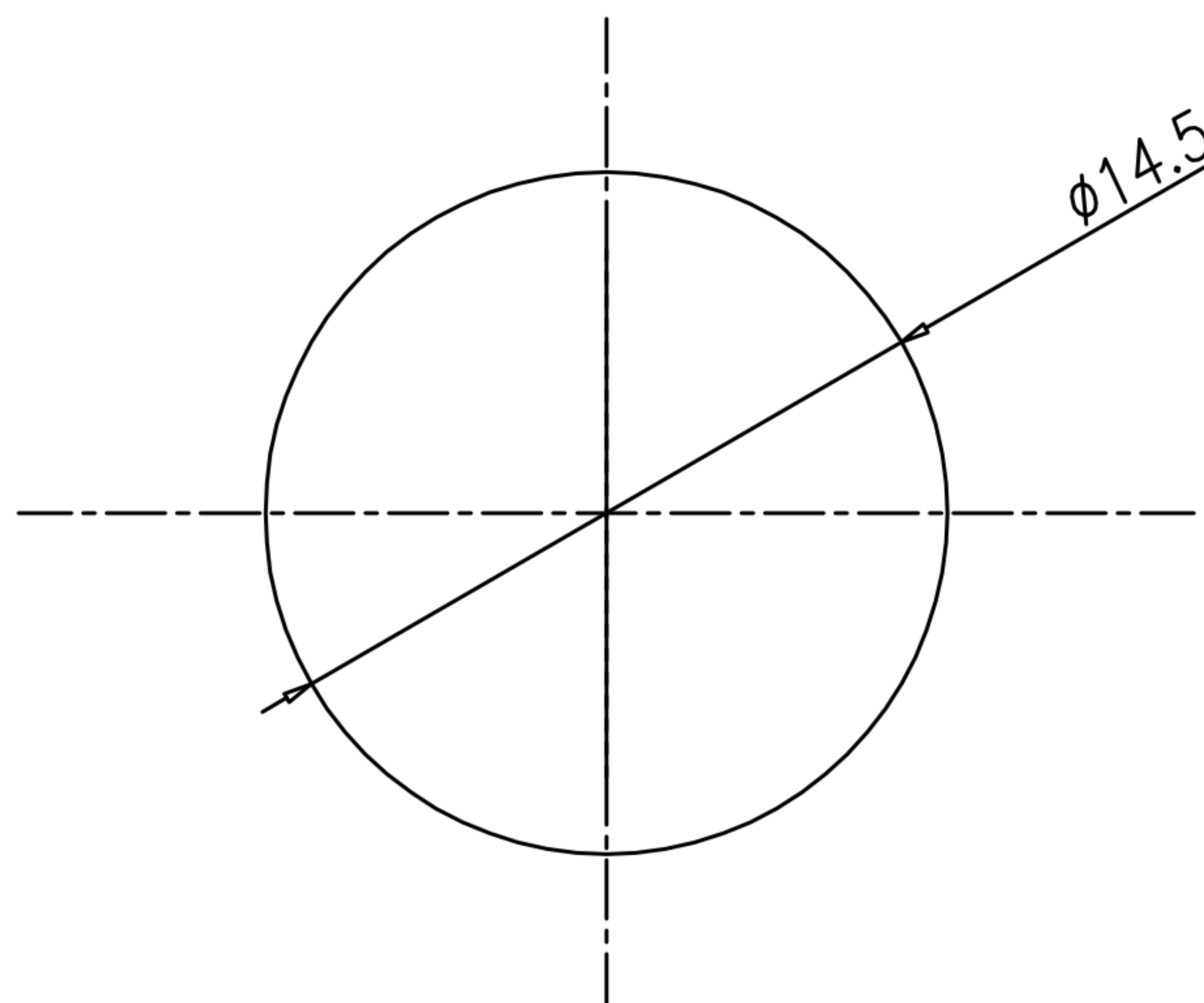
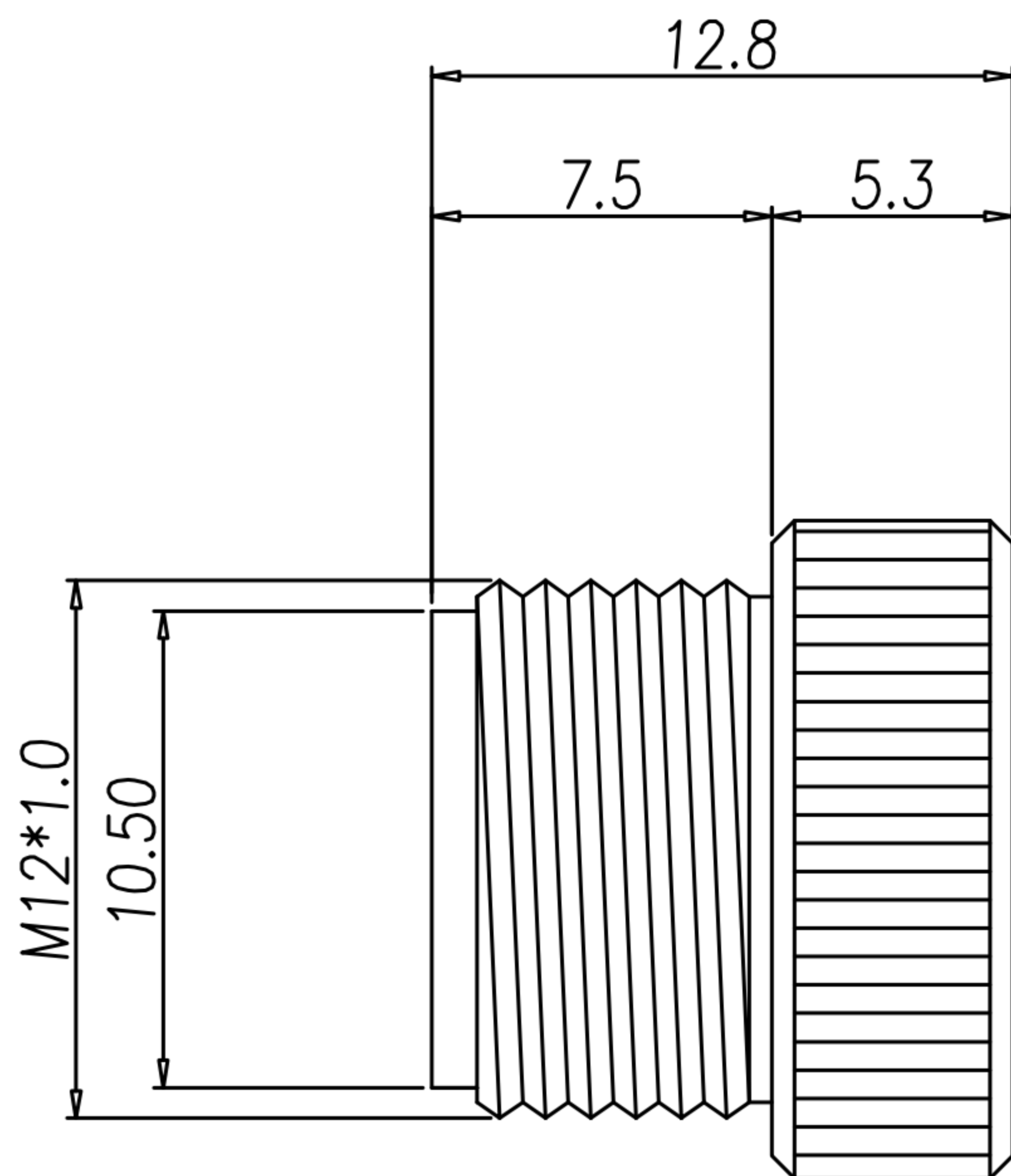


CUSTOMER DRAWING

REV.	DESCRIPTION	APPROVED BY	DATE	ECN NO.
△	RELEASE	Fido Weng	04/03/16'	
△				
△				



1. MATERIAL :  
1-1. NUT : BRASS
2. FINISH :  
2-1. NUT : NICKEL PLATED.
3. IP68 after mating

DRAWN	Ku Chou	APPEND	Fido WEng	UNIT	mm	TOLERANCE		广东科斯达电子科技有限公司 GUANG DONG KE SI DA ELECTRONIC TECHNOLOGY CO., LTD.	TITLE	M12 L-CODE 外牙防塵蓋			SHEET
CHKED	Emily Suen			SCALE	1:1	.x ±0.20 .xx ±0.10 .xxx ±0.05 .xxxx ±0.03 ANGULA ±1°			PART NO.	DY-WP01424-10	DWG NO.	QC9482	VERSION