

CUSTOMER DRAWING

REV.	DESCRIPTION	APPROVED BY	DATE	ECN NO.
A	RELEASE	Ku Chou	16/11/18*	
B				
C				

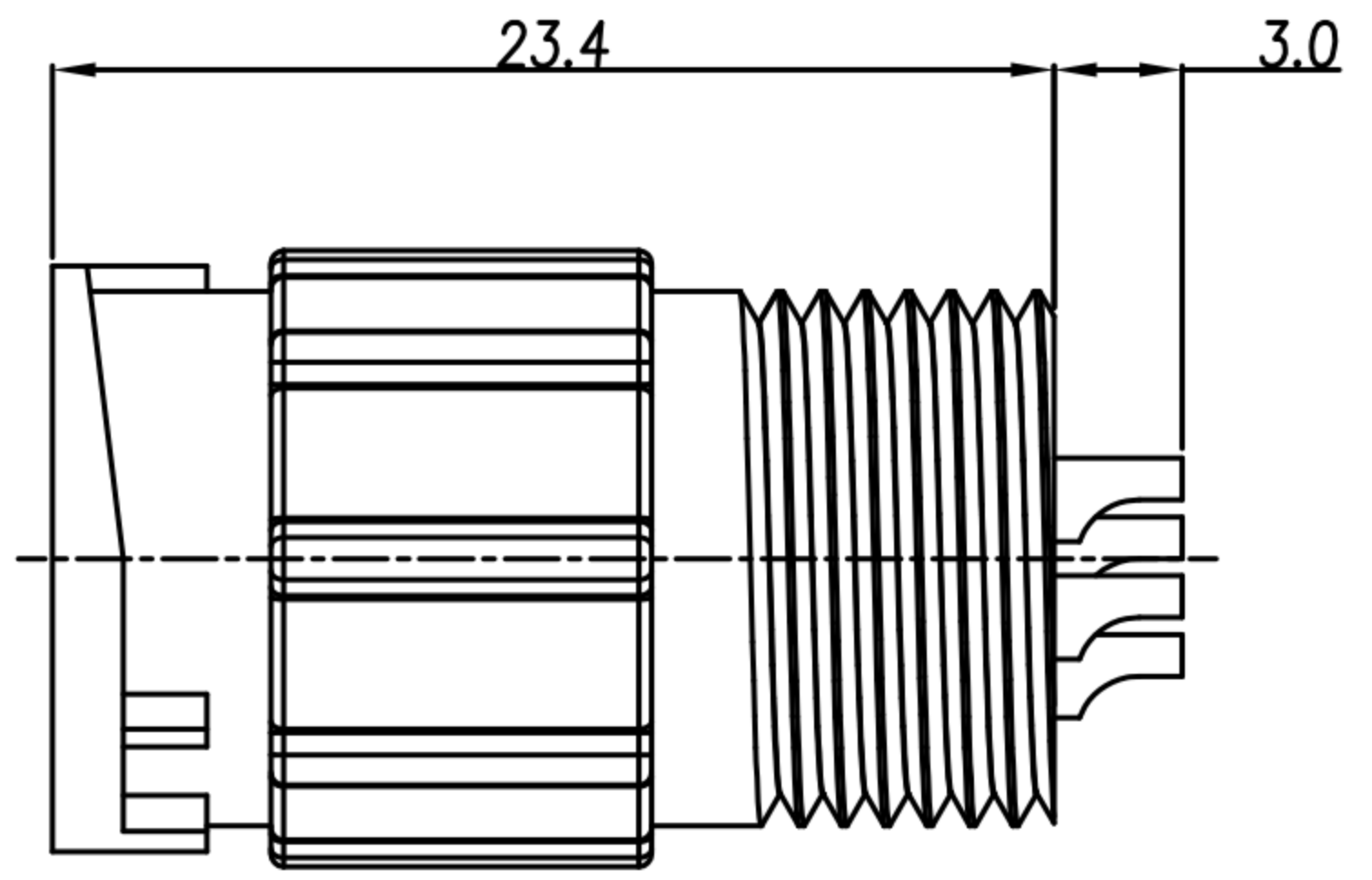
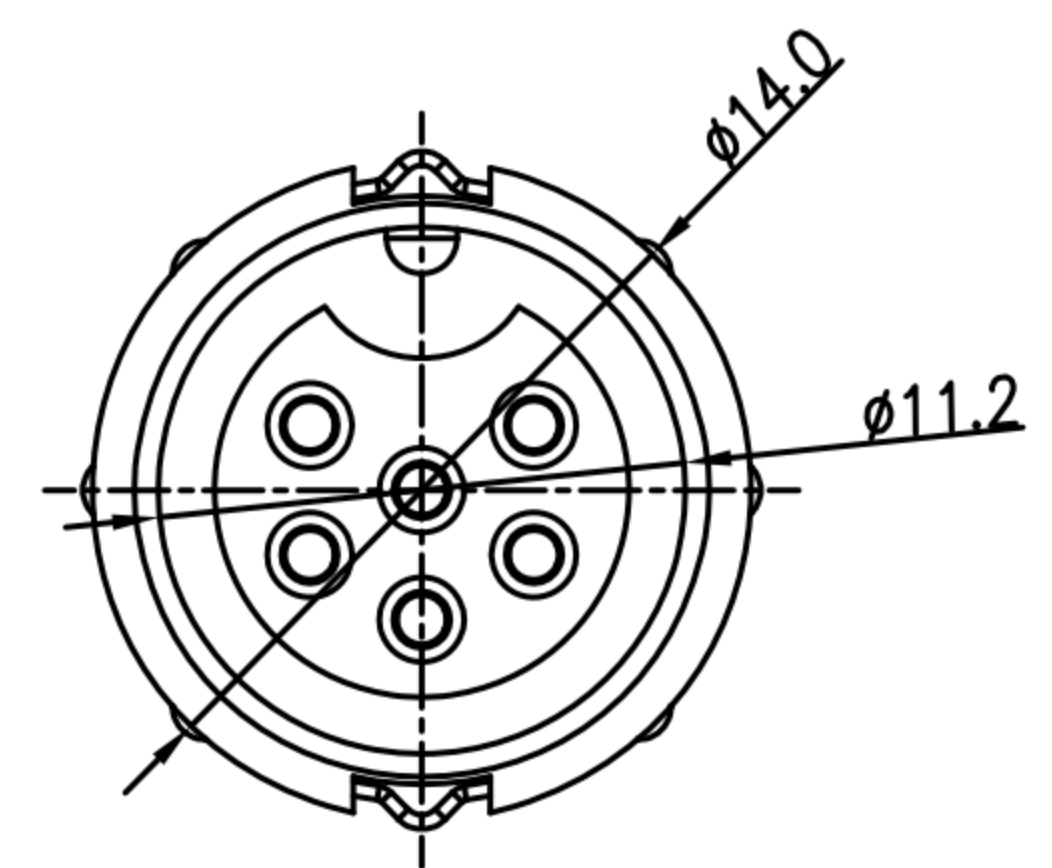
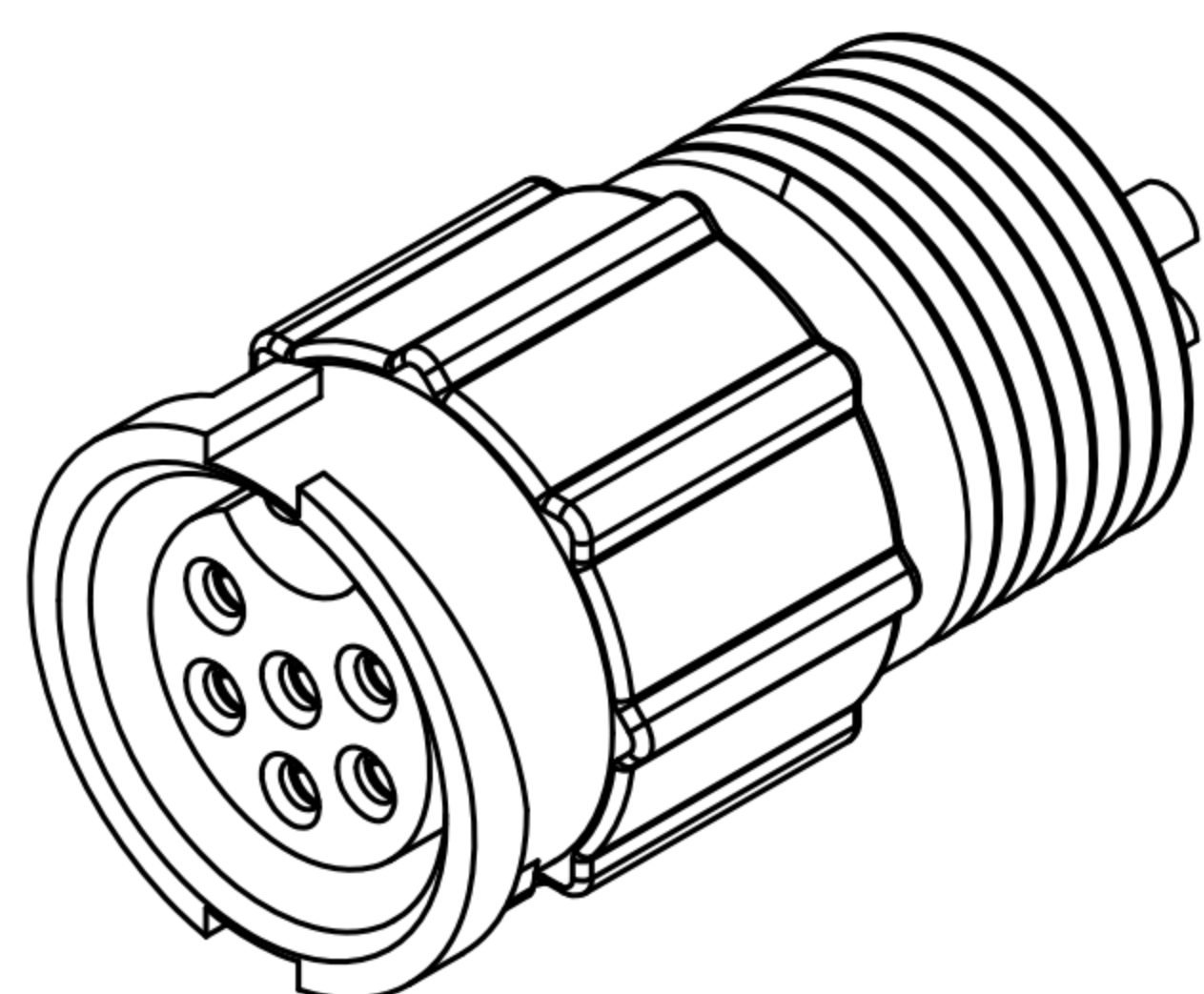
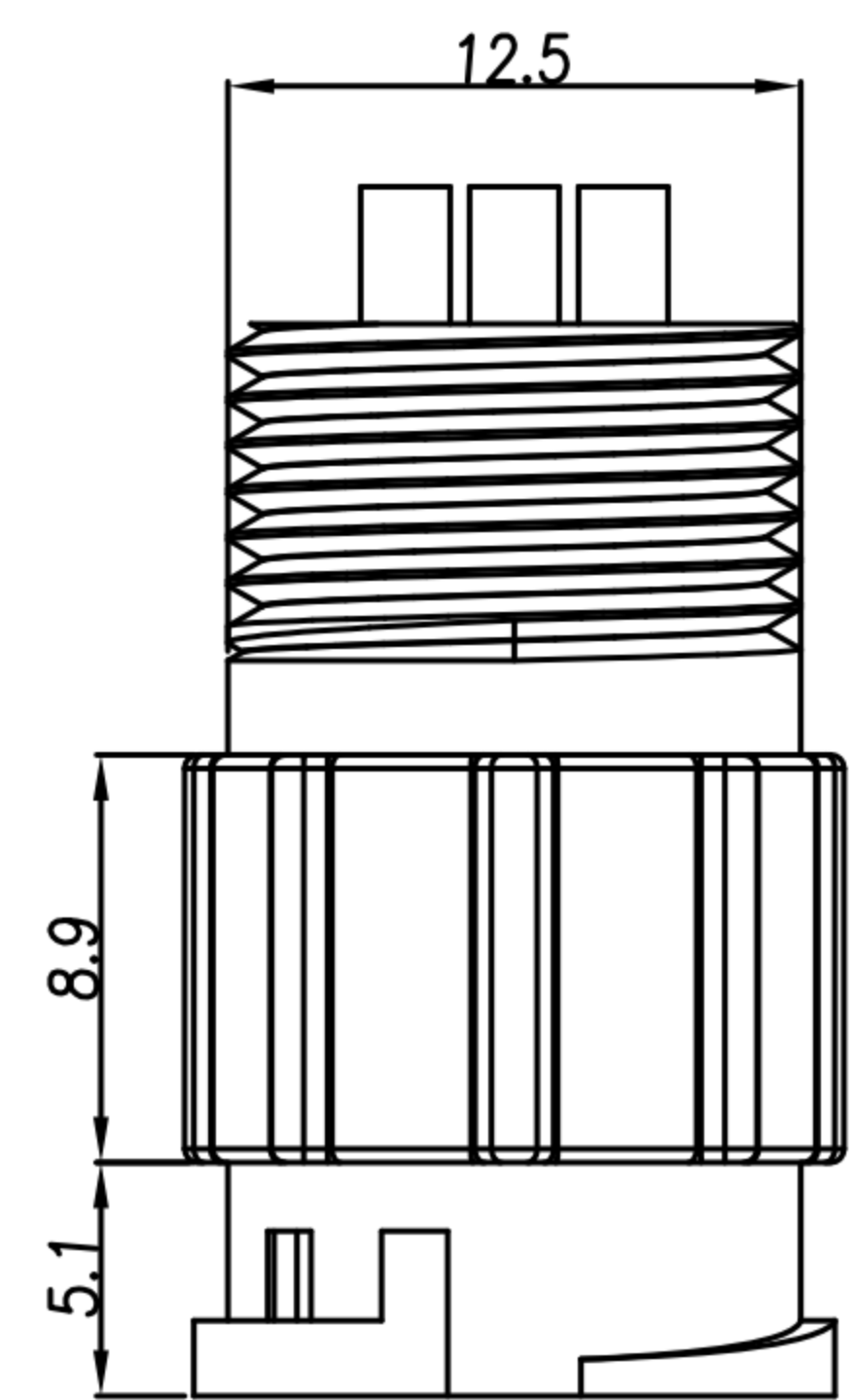


TABLE A

5 PIN	6 PIN	
WP-05F1-04-11	WP-06F1-03-11	
2 PIN	3 PIN	4 PIN
	WP-03F1-01-11	WP-04F1-03-11

PIN ASSIGMENTS
FRONT VIEW

1. MATERIAL :
 - 1-1. HOUSING : PA66
 - 1-2. CONTACT : BRASS
2. FINISH :
 - 2-1. CONTACT : GOLD FLASH PLATED.
3. ELECTRICAL SPECIFICATION :
 - 3-1. Rated current : 5A
 - 3-2. Rated voltage : 250V
 - 3-3. Water proof : IP67
4. Environmental :
 - 4-1. Operation Temperature : $-20^{\circ}\text{C} \sim 80^{\circ}\text{C}$

DRAWN	Emily Suen	APP'D	Ku Chou	UNIT	mm	TOLERANCE		广东科斯达电子科技有限公司 GUANG DONG KE SI DA ELECTRONIC TECHNOLOGY CO., LTD.	TITLE	WP (M CONN. F PIN) B SIZE MOLDED WITH CABLE (LOCK BAYONET)-5A			SHEET	1/1 VERSION A
CHK'D	Ku Chou			SCALE	1:1	.x ±0.20 .xx ±0.10 .xxx ±0.05 .xxxx ±0.03 ANGULA ±1°			PART NO.	SEE TABLE A	DWG NO.	QC8808		